



# Dewsbury & Proud

www.cranehiremidlands.com

Contract Lifting & Crane Hire Specialists

## CRANE SPEC BOOK 2023 EDITION

(BASIC SPECS)



- Wolverhampton Depot - Stoke-On-Trent Depot - Coventry Depot - Loughborough Depot -





SCAN ME

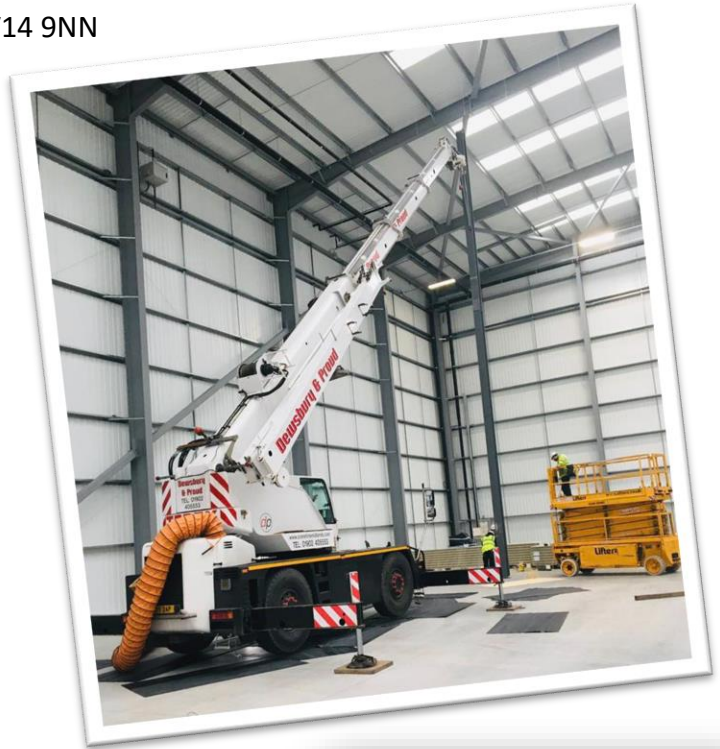
## DEPOT LOCATIONS

**WOLVERHAMPTON DEPOT ( HEAD OFFICE )**  
 BIDDINGS LANE, COSELEY, WEST MIDLANDS, WV14 9NN  
 TEL: +44 (0)1902 405553  
[operations@cranehiremidlands.com](mailto:operations@cranehiremidlands.com)

**LOUGHBOROUGH DEPOT**  
 LOUGHBOROUGH, LEICESTERSHIRE, LE12 5TW  
 TEL: +44 (0) 1509 265049  
[operations@cranehiremidlands.com](mailto:operations@cranehiremidlands.com)

**COVENTRY DEPOT**  
 BRANDON, COVENTRY, CV8 3GE  
 TEL: +44 (0)1675 443048  
[operations@cranehiremidlands.com](mailto:operations@cranehiremidlands.com)

**STOKE-ON-TRENT DEPOT**  
 FENTON, STOKE-ON-TRENT, ST4 2RS  
 TEL: +44 (0)1782 287999  
[operations@cranehiremidlands.com](mailto:operations@cranehiremidlands.com)





## FLEET LIST FOR 2023

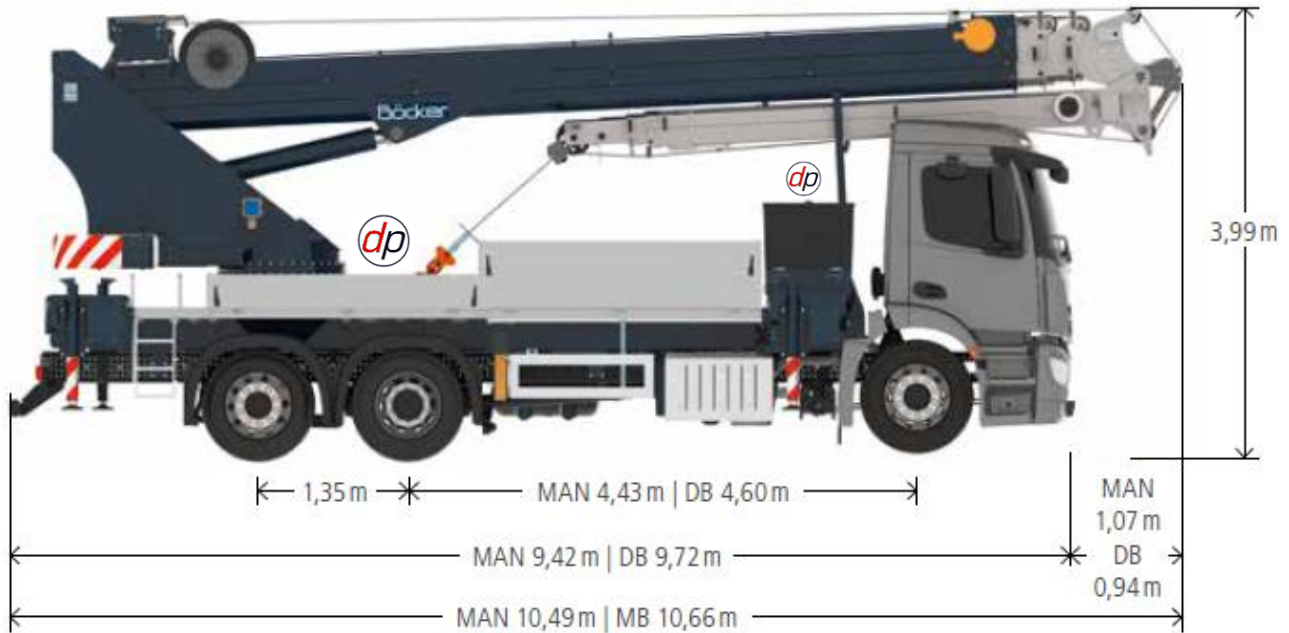
| TYPE                            | MAKE & MODEL           | BOOM LENGTH | CAPACITY | PAGE NUMBER   |
|---------------------------------|------------------------|-------------|----------|---------------|
| TRUCK CRANES                    | BÖCKER AK 46/6000      | 44m         | 6        | PAGES 4 - 7   |
| 30T CITY CRANE<br>+ ACCESSORIES | TEREX AC 30            | 25m         | 30       | PAGES 8 - 11  |
| 45T CITY CRANE<br>+ ACCESSORIES | TEREX AC45             | 31.2m       | 45       | PAGES 12 - 17 |
| 50T CITY CRANE<br>+ ACCESSORIES | LIEBHERR LTC 1050-3.1  | 31m         | 50       | PAGES 18 - 23 |
| ALL TERRAIN CRANES              | GROVE GMK 2035E        | 29m         | 35       | PAGES 24 - 25 |
| ALL TERRAIN CRANES              | TADANO FAUN ATF 40G-2  | 35.2m       | 40       | PAGES 26 - 27 |
| ALL TERRAIN CRANES              | LIEBHERR LTM 1040-2.1  | 35m         | 40       | PAGES 28 - 29 |
| ALL TERRAIN CRANES              | LIEBHERR LTM 1050-3.1  | 38m         | 50       | PAGES 30 - 31 |
| ALL TERRAIN CRANE               | GROVE GMK 3060         | 43m         | 60       | PAGES 32 - 33 |
| ALL TERRAIN CRANE               | GROVE GMK 3060L-1      | 48m         | 60       | PAGES 34 - 35 |
| ALL TERRAIN CRANES              | LIEBHERR LTM 1060-3.1  | 48m         | 60       | PAGES 36 - 37 |
| ALL TERRAIN CRANES              | GROVE GMK 4080-1       | 51m         | 80       | PAGES 38 - 39 |
| ALL TERRAIN CRANES              | LIEBHERR LTM 1090-4.1  | 50m         | 90       | PAGES 40 - 41 |
| ALL TERRAIN CRANES              | LIEBHERR LTM 1090-4.2  | 60m         | 90       | PAGES 42 - 43 |
| ALL TERRAIN CRANES              | TADANO FAUN ATF 100G-4 | 51.2m       | 100      | PAGES 44 - 45 |
| ALL TERRAIN CRANES              | LIEBHERR LTM 1110-5.1  | 60m         | 110      | PAGES 46 - 49 |
| ALL TERRAIN CRANES              | LIEBHERR LTM 1120-4.1  | 66m         | 120      | PAGES 50 - 51 |
| ALL TERRAIN CRANES              | GROVE GMK 5150L-1      | 60m         | 150      | PAGES 52 - 53 |
| ALL TERRAIN CRANES              | LIEBHERR LTM 1230-5.1  | 75m         | 230      | PAGES 54 - 59 |
| SPIDER CRANES                   | MAEDA MC285            | 8.575m      | 2.8      | PAGES 60 - 61 |
| SPIDER CRANES                   | MAEDA MC405 CRM(E)     | 16.475m     | 3.8      | PAGES 62 - 63 |
| CRAWLER CRANES                  | MAEDA LC785            | 15.63m      | 4.9      | PAGES 64 - 65 |
| LORRY LOADER CRANES             | PM 57.5 SP             | 16.2m       | 11.4     | PAGES 66 - 67 |
| LOW LOADER TRANSPORT            |                        |             |          | PAGE 68       |
| LIFTING ACCESSORIES             |                        |             |          | PAGES 69 - 71 |





SCAN ME

## 6 TONNE TRUCK CRANE – (BÖCKER AK 46/6000)

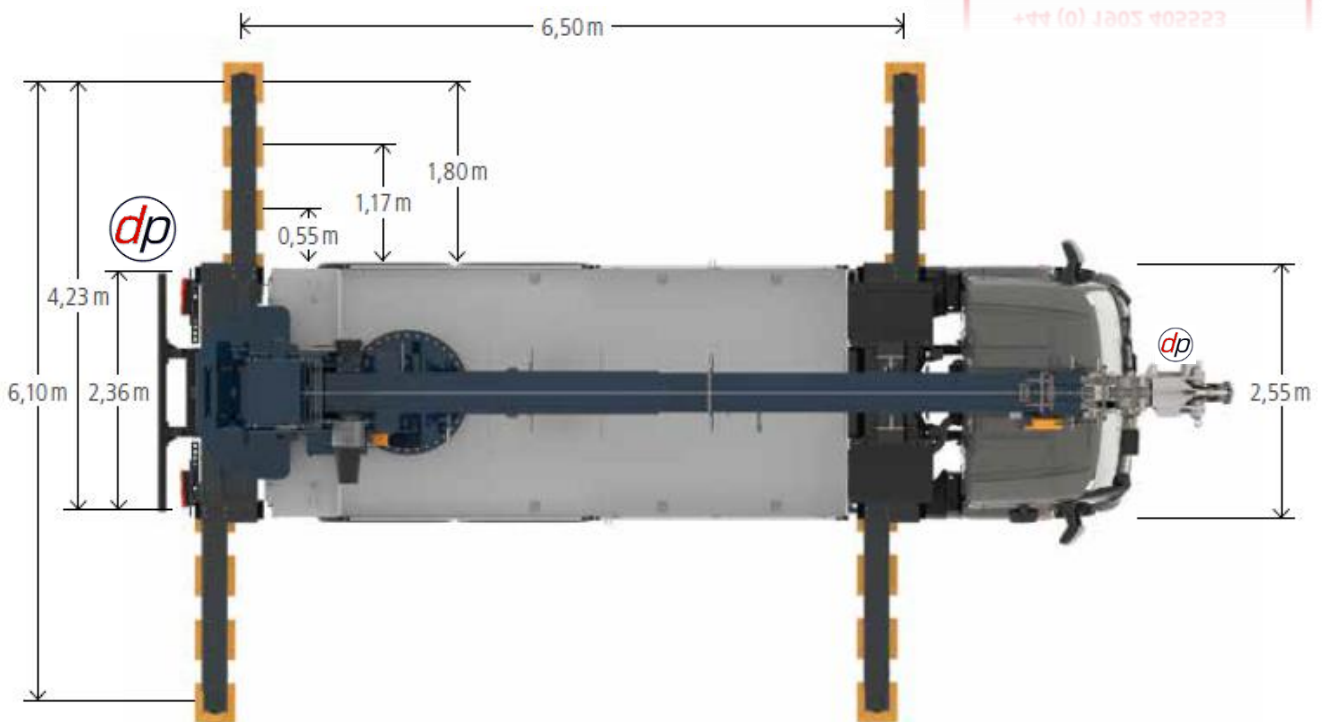


# Böcker

## Truck Crane AK 46/6000

**NEED ADVICE?**  
We have experienced staff who can help you. We can visit your site to discuss your needs.  
**+44 (0) 1902 405553**

+44 (0) 1902 402223







SCAN ME

## 6 TONNE TRUCK CRANE – (BÖCKER AK 46/6000)

**dp** Load in kg

— Single-fall operation

- - - Two-fall operation

- - - With jib-extension (2 m)

- - - Increased jib load with reduced working range

### TRUCK CRANE AK 46/6000

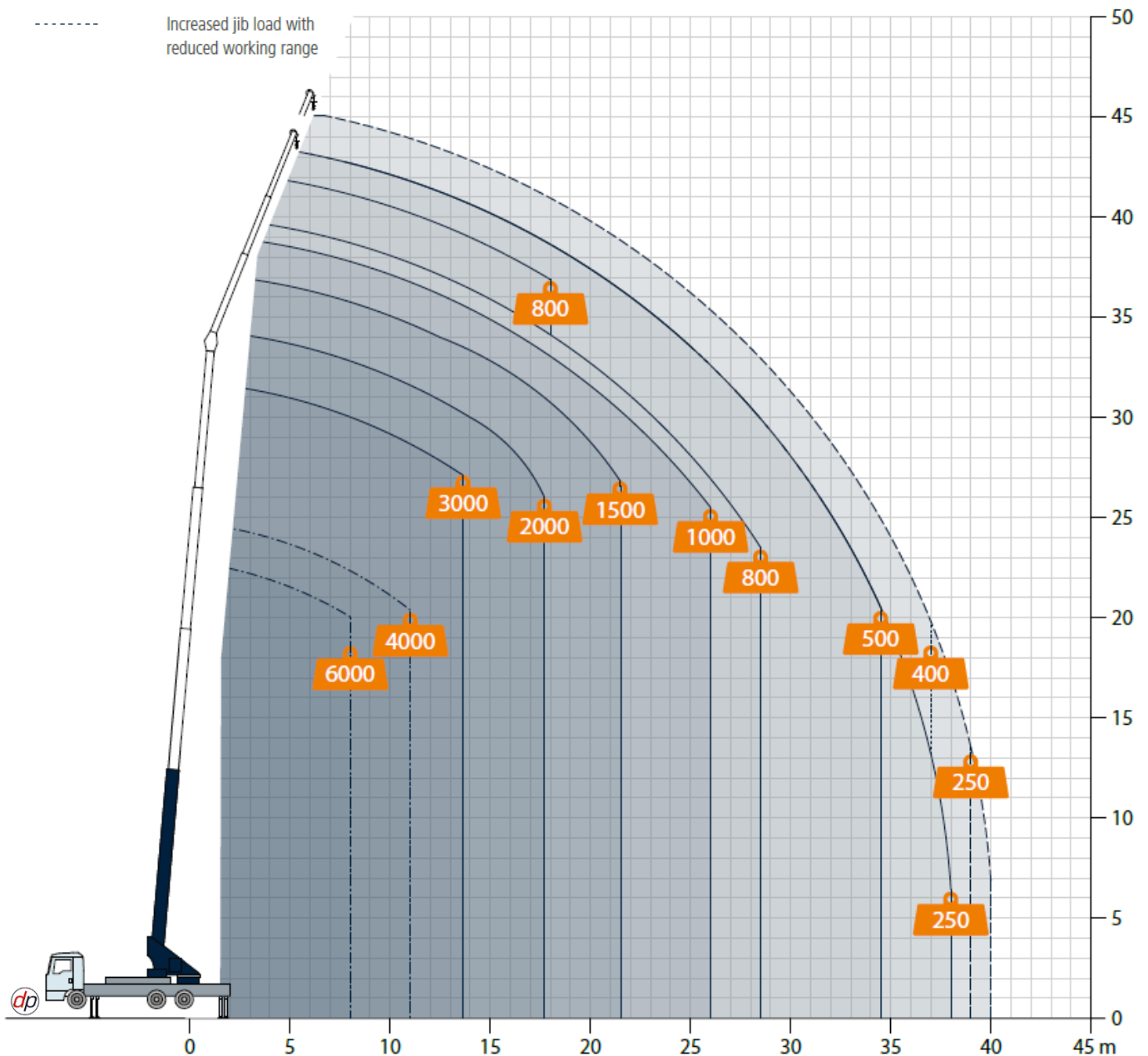
## Working range crane operation

#### NEED ADVICE?

We have experienced staff who can help you. We can visit your site to discuss your needs.

+44 (0) 1902 405553

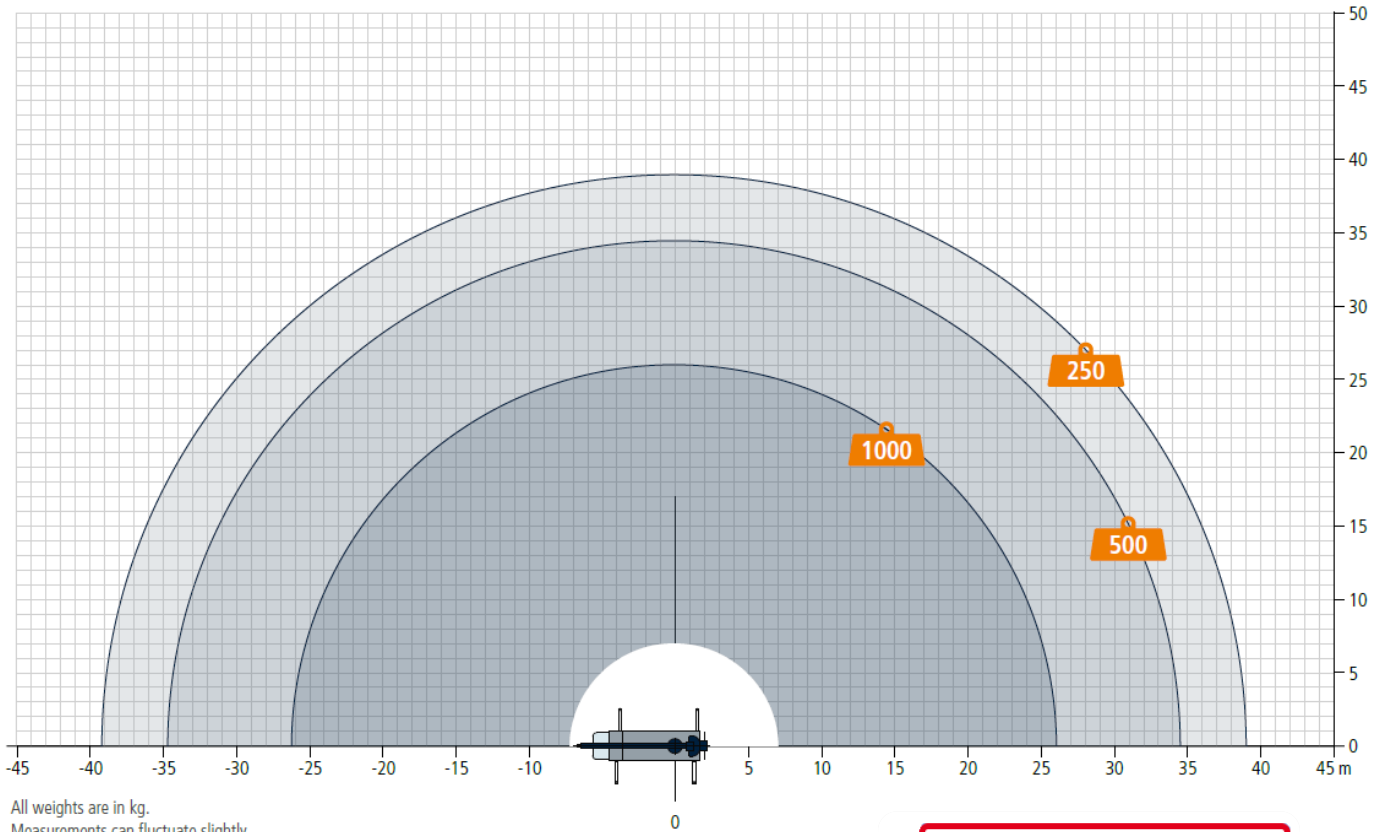
+44 (0) 1902 402223





SCAN ME

## 6 TONNE TRUCK CRANE – (BÖCKER AK 46/6000)



TRUCK CRANE AK 46/6000



**NEED ADVICE?**

We have experienced staff who can help you. We can visit your site to discuss your needs.

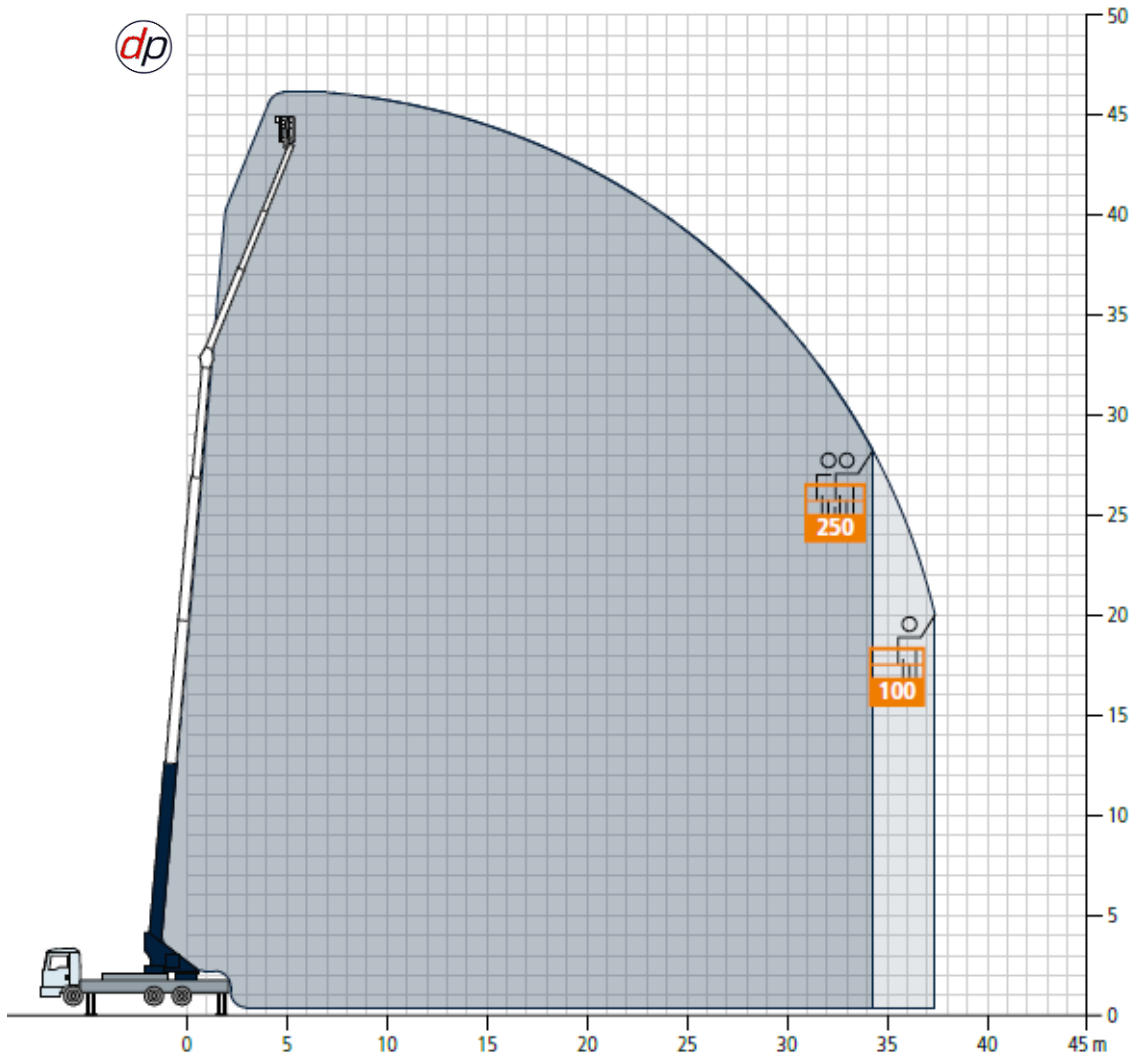
**+44 (0) 1902 405553**

+44 (0) 1902 405553





## WORKING PLATFORM ACCESSORIES FOR – (BÖCKER CRANES)



### Böcker Working platform technology.

Our Böcker truck cranes are fitted with additional technology making them adaptable from a crane, to a fully-fledged working platform. All done with incredible ease and without requiring any tools on site. Our working platforms have a payload between 250kg to 100kg. When working in difficult to reach areas, the tiltable platform is particularly well suited. As the platform does not need to be removed to change locations, giving you the ability to slew the crane to different locations whilst working within the platform, Thanks to the automatic levelling system of the platform, you can always work safely and comfortably, no matter what the external circumstances are. Our Böcker platforms are also equipped with a 110v power supply, as standard for your convenience whilst working at height.

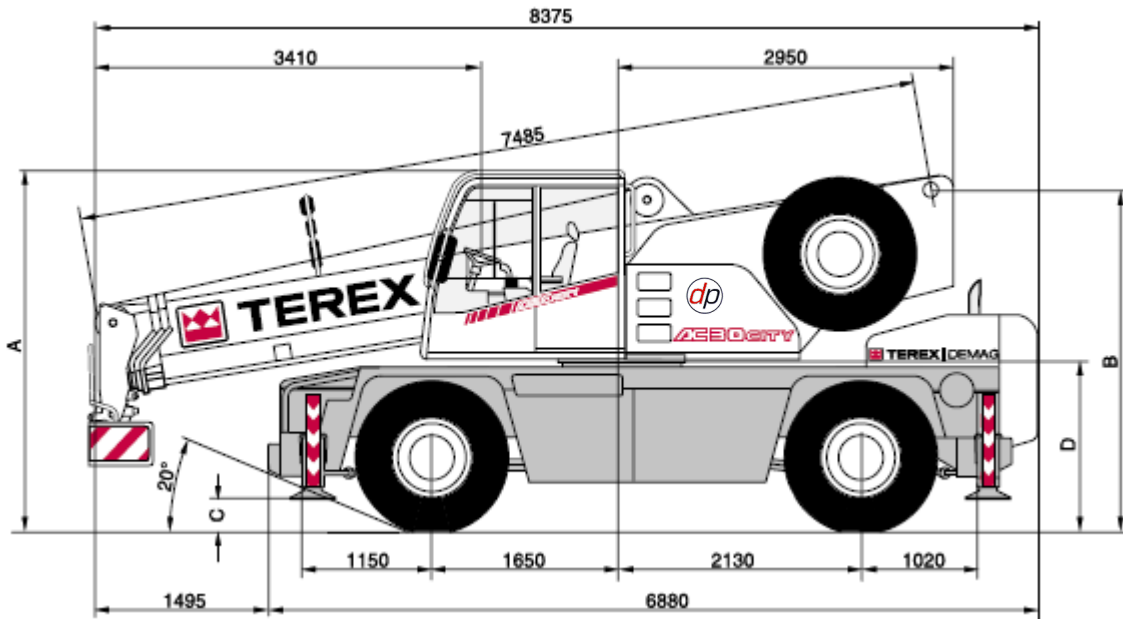






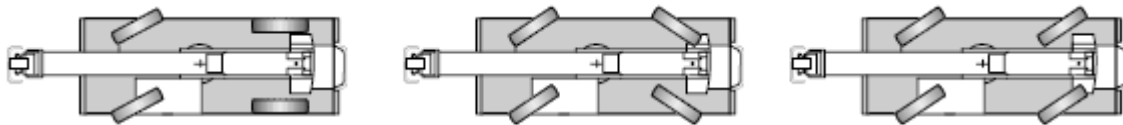
SCAN ME

## 30 TONNE CITY CRANE (TEREX DEMAG AC30)

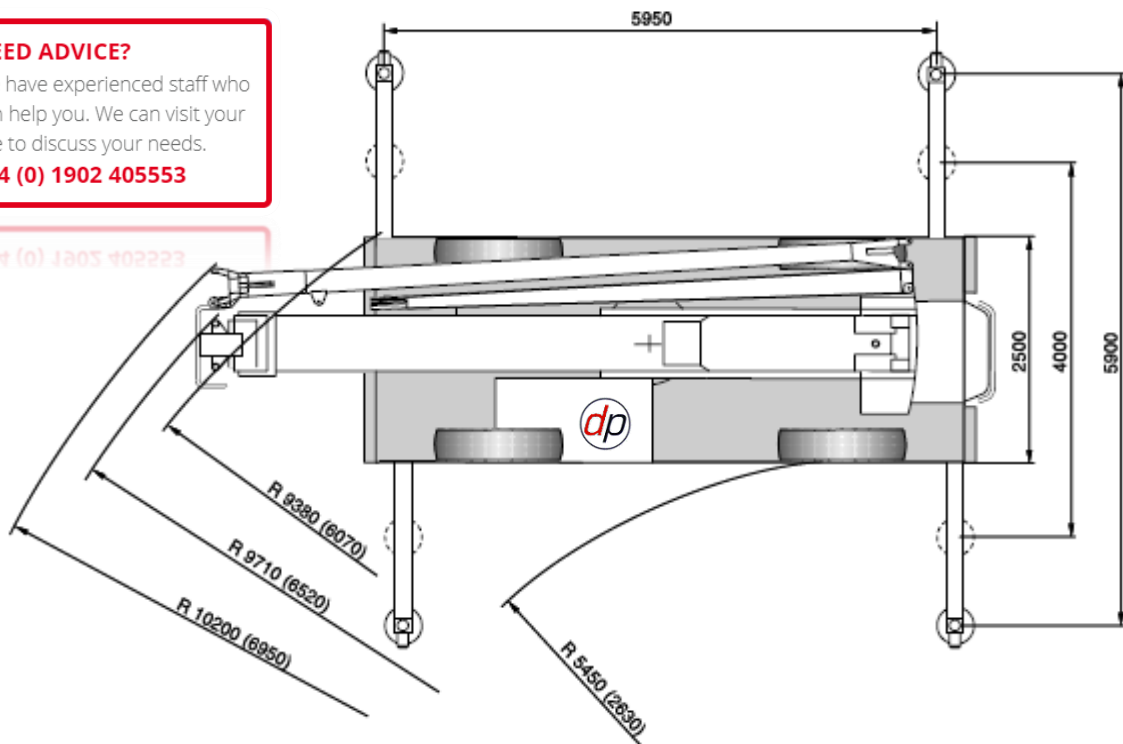


### DIMENSIONS · ABMESSUNGEN · ENCOMBREMEN · DIMENSIONI · DIMENSIONES

| Type of tyres | Level   | A    | B    | C   | D    |
|---------------|---------|------|------|-----|------|
| 14.00         | Road    | 3190 | 3040 | 340 | 1525 |
| 14.00         | Lowered | 3100 | 2950 | 250 | 1435 |
| 445 / 65      | Road    | 3080 | 2941 | 236 | 1421 |
| 445 / 65      | Lowered | 2990 | 2851 | 146 | 1331 |



**NEED ADVICE?**  
 We have experienced staff who can help you. We can visit your site to discuss your needs.  
**+44 (0) 1902 405553**





SCAN ME

## 30 TONNE CITY CRANE (TEREX DEMAG AC30)

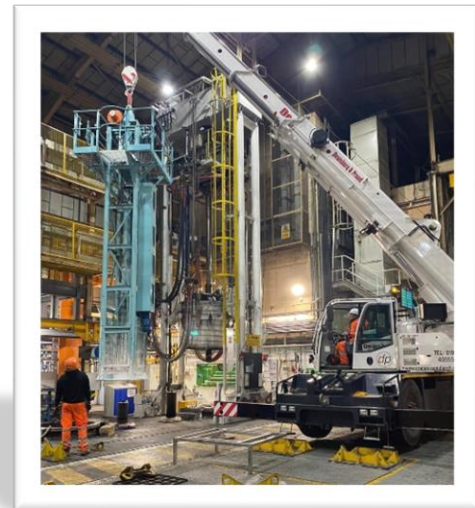
| 5,95 m x 5,90 m |   | 360°      |      |      |      |      | DIN/ISO |
|-----------------|---|-----------|------|------|------|------|---------|
| dp              |   | Main boom |      |      |      |      |         |
| Radius          | m | 7,5       | 11,9 | 16,3 | 20,7 | 25,0 |         |
| m               | t | t         | t    | t    | t    | t    |         |
| 2,7             | - | 30,0**    | -    | -    | -    | -    |         |
| 3               | - | 24,7*     | 16,0 | 16,0 | -    | -    |         |
| 3,5             | - | 22,3      | 16,0 | 16,0 | 13,0 | -    |         |
| 4               | - | 20,3      | 16,0 | 16,0 | 13,0 | -    |         |
| 4,5             | - | 18,3      | 16,0 | 16,0 | 13,0 | -    |         |
| 5               | - | -         | 16,0 | 15,8 | 13,0 | 9,0  |         |
| 6               | - | -         | 13,6 | 13,6 | 12,2 | 9,0  |         |
| 7               | - | -         | 10,5 | 10,7 | 10,0 | 8,8  |         |
| 8               | - | -         | 8,2  | 8,4  | 8,4  | 7,8  |         |
| 9               | - | -         | 6,7  | 6,8  | 6,9  | 6,7  |         |
| 10              | - | -         | -    | 5,7  | 5,8  | 5,8  |         |
| 11              | - | -         | -    | 4,8  | 4,9  | 4,9  |         |
| 12              | - | -         | -    | 4,1  | 4,2  | 4,2  |         |
| 13              | - | -         | -    | 3,6  | 3,7  | 3,7  |         |
| 14              | - | -         | -    | -    | 3,2  | 3,2  |         |
| 15              | - | -         | -    | -    | 2,8  | 2,9  |         |
| 16              | - | -         | -    | -    | 2,5  | 2,5  |         |
| 17              | - | -         | -    | -    | 2,3  | 2,3  |         |
| 18              | - | -         | -    | -    | -    | 2,0  |         |
| 19              | - | -         | -    | -    | -    | 1,8  |         |
| 20              | - | -         | -    | -    | -    | 1,6  |         |
| 21              | - | -         | -    | -    | -    | 1,4  |         |
| 22              | - | -         | -    | -    | -    | 1,3  |         |
| Capacities      |   | 13,0      | 5,0  | 2,8  | 1,5  | 0,8  |         |

| 5,95 m x 4,00 m |   | 360°      |      |      |      |      | DIN/ISO |
|-----------------|---|-----------|------|------|------|------|---------|
| dp              |   | Main boom |      |      |      |      |         |
| Radius          | m | 7,5       | 11,9 | 16,3 | 20,7 | 25,0 |         |
| m               | t | t         | t    | t    | t    | t    |         |
| 3               | - | 21,8      | 16,0 | 16,0 | -    | -    |         |
| 3,5             | - | 19,4      | 16,0 | 16,0 | 13,0 | -    |         |
| 4               | - | 14,9      | 15,3 | 13,5 | 12,0 | -    |         |
| 4,5             | - | 11,6      | 12,0 | 11,6 | 10,4 | -    |         |
| 5               | - | -         | 9,8  | 10,0 | 9,2  | 8,3  |         |
| 6               | - | -         | 7,0  | 7,2  | 7,3  | 6,7  |         |
| 7               | - | -         | 5,4  | 5,5  | 5,6  | 5,5  |         |
| 8               | - | -         | 4,3  | 4,4  | 4,5  | 4,5  |         |
| 9               | - | -         | 3,5  | 3,6  | 3,7  | 3,7  |         |
| 10              | - | -         | -    | 3,0  | 3,1  | 3,1  |         |
| 11              | - | -         | -    | 2,5  | 2,6  | 2,6  |         |
| 12              | - | -         | -    | 2,1  | 2,2  | 2,2  |         |
| 13              | - | -         | -    | 1,8  | 1,9  | 1,9  |         |
| 14              | - | -         | -    | -    | 1,6  | 1,7  |         |
| 15              | - | -         | -    | -    | 1,4  | 1,4  |         |
| 16              | - | -         | -    | -    | 1,2  | 1,3  |         |
| 17              | - | -         | -    | -    | 1,1  | 1,1  |         |
| 18              | - | -         | -    | -    | -    | 1,0  |         |
| 19              | - | -         | -    | -    | -    | 0,8  |         |
| 20              | - | -         | -    | -    | -    | 0,7  |         |
| 21              | - | -         | -    | -    | -    | 0,6  |         |
| 22              | - | -         | -    | -    | -    | 0,5  |         |
| 23              | - | -         | -    | -    | -    | -    |         |
| Capacities      |   | 9,0       | 2,5  | 1,2  | 0,5  | -    |         |



### ALL TERRAIN CRANE AC 30 City

| 5,95 m x 2,25 m |   | 360°      |      |      | DIN/ISO |
|-----------------|---|-----------|------|------|---------|
| dp              |   | Main boom |      |      |         |
| Radius          | m | 7,5       | 11,9 | 16,3 |         |
| m               | t | t         | t    | t    |         |
| 3               | - | 10,2      | 10,6 | 8,9  |         |
| 3,5             | - | 7,8       | 8,1  | 7,5  |         |
| 4               | - | 6,2       | 6,5  | 6,5  |         |
| 4,5             | - | 5,1       | 5,3  | 5,5  |         |
| 5               | - | -         | 4,5  | 4,6  |         |
| 6               | - | -         | 3,3  | 3,4  |         |
| 7               | - | -         | 2,6  | 2,6  |         |
| 8               | - | -         | 2,0  | 2,1  |         |
| 9               | - | -         | 1,6  | 1,7  |         |
| 10              | - | -         | -    | 1,4  |         |
| 11              | - | -         | -    | 1,1  |         |
| 12              | - | -         | -    | 0,9  |         |
| 13              | - | -         | -    | 0,7  |         |
| Capacities      |   | 4,0       | 1,0  | -    |         |



#### NEED ADVICE?

We have experienced staff who can help you. We can visit your site to discuss your needs.

+44 (0) 1902 405553

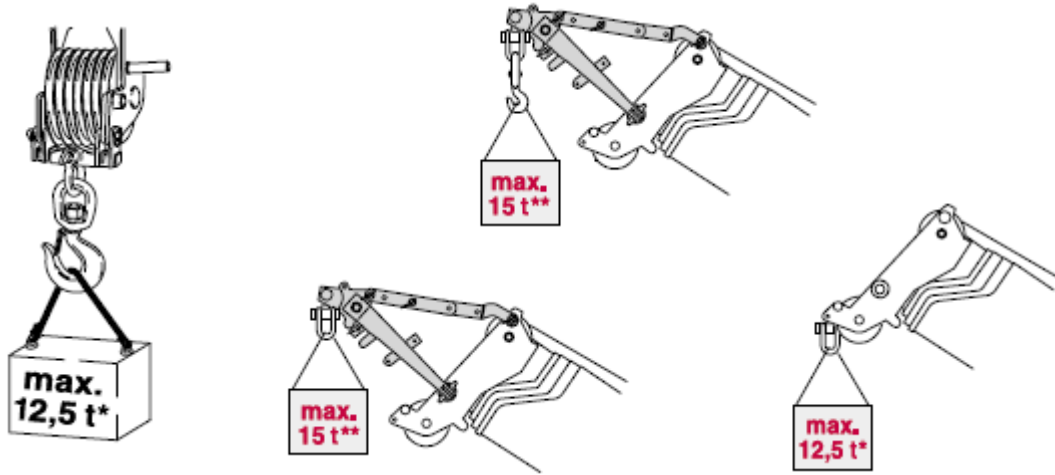


+44 (0) 1902 402223

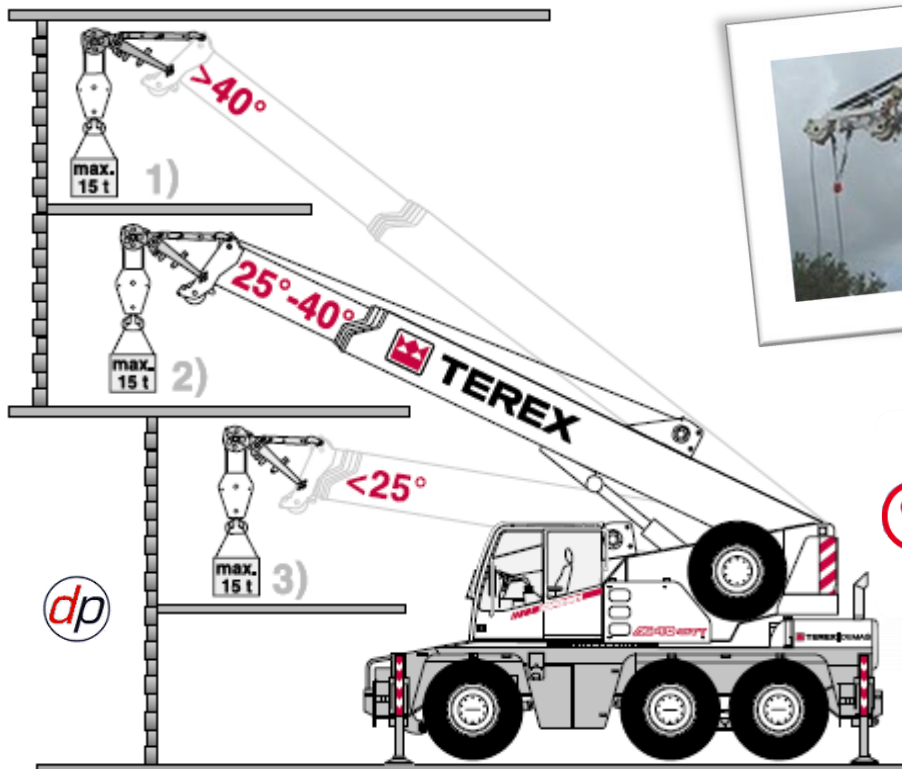


SCAN ME

**RUNNER / SEARCHER HOOK CAPATABLE WITH OUR  
TEREX AC 30 CITY CRANE**



\* Main boom duties apply until the maximum loads specified above have been achieved



**NEED ADVICE?**

We have experienced staff who can help you. We can visit your site to discuss your needs.

+44 (0) 1902 405553



+44 (0) 1902 405553





SCAN ME

## RUNNER / SEARCHER HOOK CAPATABLE WITH OUR TEREX AC 30 CITY CRANE

|  |                    | 5,95 m x 5,90 m  |                     |                     |                     |                   | 360°   | DIN/ISO |
|--|--------------------|--|---------------------|---------------------|---------------------|-------------------|--|---------|
| Radius · Ausladung<br>Portée<br>Sbraccio                           |                    | Main boom · Hauptausleger · Flèche principale · Braccio base · Pluma principal |                     |                     |                     |                   | Radius · Ausladung<br>Portée<br>Sbraccio                           |         |
| Radio  | m                  | 7,5  | 11,9                | 16,3                | 20,7                | 25,0              | Radio  | m       |
| m  | t                  | t  | t                   | t                   | t                   | t                 |  |         |
| 3  | 15,0 <sup>1)</sup> | 15,0 <sup>1)</sup>   | 12,5 <sup>1)</sup>  | -                   | -                   | -                 | 3  | 3       |
| 3,5  | 15,0 <sup>2)</sup> | 15,0 <sup>1)</sup>   | 12,5 <sup>1)</sup>  | -                   | -                   | -                 | 3,5  | 3,5     |
| 4  | 15,0 <sup>2)</sup> | 15,0 <sup>1)</sup>   | 12,5 <sup>1)</sup>  | 10,0 <sup>1)</sup>  | -                   | -                 | 4  | 4       |
| 4,5  | 15,0 <sup>3)</sup> | 15,0 <sup>1)</sup>   | 12,5 <sup>1)</sup>  | 10,0 <sup>1)</sup>  | -                   | -                 | 4,5  | 4,5     |
| 5  | 15,0 <sup>3)</sup> | 15,0 <sup>1)</sup>   | 12,5 <sup>1)</sup>  | 10,0 <sup>1)</sup>  | 8,0 <sup>1)</sup>   | -                 | 5  | 5       |
| 6  | -                  | 13,5 <sup>2)</sup>   | 12,5 <sup>1)</sup>  | 10,0 <sup>1)</sup>  | 8,0 <sup>1)</sup>   | 8,0 <sup>1)</sup> | 6  | 6       |
| 7  | -                  | 10,6 <sup>2)</sup>   | 10,7 <sup>1)</sup>  | 9,8 <sup>1)</sup>   | 8,0 <sup>1)</sup>   | 8,0 <sup>1)</sup> | 7  | 7       |
| 8  | -                  | 8,2 <sup>3)</sup>  | 8,4 <sup>1)</sup>   | 8,2 <sup>1)</sup>   | 7,6 <sup>1)</sup>   | 7,6 <sup>1)</sup> | 8  | 8       |
| 9  | -                  | 6,7 <sup>3)</sup>  | 6,8 <sup>2)</sup>   | 6,9 <sup>1)</sup>   | 6,4 <sup>1)</sup>   | 6,4 <sup>1)</sup> | 9  | 9       |
| 10   | -                  | 5,6 <sup>3)</sup>  | 5,6 <sup>2)</sup>   | 5,7 <sup>1)</sup>   | 5,6 <sup>1)</sup>   | 5,6 <sup>1)</sup> | 10   | 10      |
| 11   | -                  | -  | 4,7 <sup>2)</sup>   | 4,8 <sup>1)</sup>   | 4,8 <sup>1)</sup>   | 4,8 <sup>1)</sup> | 11   | 11      |
| 12   | -                  | -  | 4,0 <sup>3)</sup>   | 4,1 <sup>2)</sup>   | 4,1 <sup>1)</sup>   | 4,1 <sup>1)</sup> | 12   | 12      |
| 13   | -                  | -  | 3,5 <sup>3)</sup>   | 3,5 <sup>2)</sup>   | 3,6 <sup>1)</sup>   | 3,6 <sup>1)</sup> | 13   | 13      |
| 14   | -                  | -  | 3,1 <sup>3)</sup>   | 3,1 <sup>2)</sup>   | 3,1 <sup>1)</sup>   | 3,1 <sup>1)</sup> | 14   | 14      |
| 15   | -                  | -  | -                   | 2,7 <sup>3)</sup>   | 2,7 <sup>2)</sup>   | 2,7 <sup>1)</sup> | 15   | 15      |
| 16   | -                  | -  | -                   | 2,4 <sup>3)</sup>   | 2,4 <sup>2)</sup>   | 2,4 <sup>1)</sup> | 16   | 16      |
| 17   | -                  | -  | -                   | 2,1 <sup>3)</sup>   | 2,1 <sup>2)</sup>   | 2,1 <sup>1)</sup> | 17   | 17      |
| 18   | -                  | -  | -                   | 1,9 <sup>3)</sup>   | 1,8 <sup>2)</sup>   | 1,8 <sup>1)</sup> | 18   | 18      |
| 19   | -                  | -  | -                   | -                   | 1,6 <sup>3)</sup>   | 1,6 <sup>2)</sup> | 19   | 19      |
| 20   | -                  | -  | -                   | -                   | 1,4 <sup>3)</sup>   | 1,4 <sup>2)</sup> | 20   | 20      |
| 21   | -                  | -  | -                   | -                   | 1,3 <sup>3)</sup>   | 1,3 <sup>2)</sup> | 21   | 21      |
| 22   | -                  | -  | -                   | -                   | 1,1 <sup>3)</sup>   | 1,1 <sup>2)</sup> | 22   | 22      |
| 23   | -                  | -  | -                   | -                   | 1,0 <sup>3)</sup>   | 1,0 <sup>2)</sup> | 23   | 23      |
| Capacities<br>Traglast · Charges<br>Portate · Cargas <sup>4)</sup> |                    | 13,0 <sup>2+3)</sup>   | 4,8 <sup>2+3)</sup> | 2,3 <sup>2+3)</sup> | 1,0 <sup>2+3)</sup> | -                 | Capacities<br>Traglast · Charges<br>Portate · Cargas <sup>4)</sup> |         |

**Remarks**

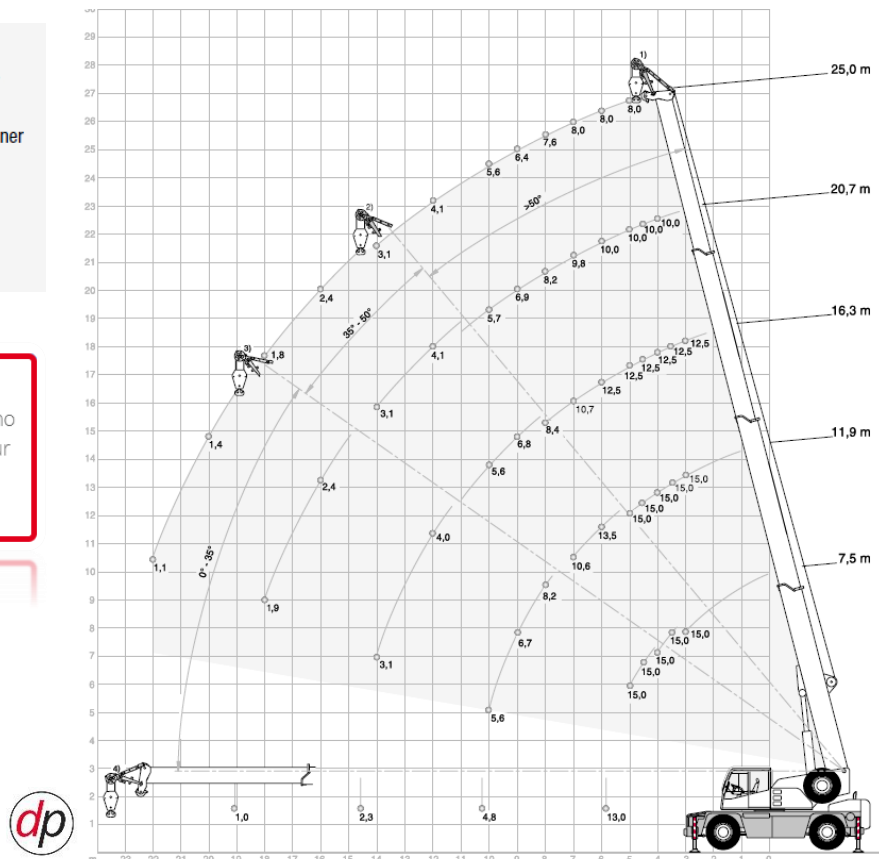
- 1) Working range – max. offset for runner
- 2) Working range – medium offset for runner
- 3) Working range – min. offset for runner
- 4) with horizontal boom · horizontal

**NEED ADVICE?**

We have experienced staff who can help you. We can visit your site to discuss your needs.

**+44 (0) 1902 405553**

+44 (0) 1902 405553







SCAN ME

## 45 TONNE CITY CRANE (TEREX DEMAG AC45)



| 5,3 t |        | 6,20 m x 6,40 m |       |       |        |        |        |        |        |        |        |        | 360°   | ISO |  |
|-------|--------|-----------------|-------|-------|--------|--------|--------|--------|--------|--------|--------|--------|--------|-----|--|
|       |        | 7,8 m*          | 7,8 m | 8,9 m | 10,1 m | 11,3 m | 12,4 m | 13,6 m | 14,8 m | 16,0 m | 17,1 m | 18,3 m | 19,5 m |     |  |
| m     | t      | t               | t     | t     | t      | t      | t      | t      | t      | t      | t      | t      | t      | m   |  |
|       | 45,0** | -               | -     | -     | -      | -      | -      | -      | -      | -      | -      | -      | -      |     |  |
| 3     | 40,0   | 35,3            | 25,0  | 25,0  | 25,0   | 25,0   | 25,0   | 25,0   | 16,0   | 16,0   | 16,0   | 16,0   | 16,0   | 3   |  |
| 3,5   | 36,5   | 33,2            | 25,0  | 25,0  | 25,0   | 25,0   | 25,0   | 25,0   | 16,0   | 16,0   | 16,0   | 16,0   | 16,0   | 3,5 |  |
| 4     | 31,9   | 31,3            | 25,0  | 25,0  | 25,0   | 25,0   | 25,0   | 25,0   | 16,0   | 16,0   | 16,0   | 16,0   | 16,0   | 4   |  |
| 4,5   | 28,4   | 28,4            | 25,0  | 25,0  | 25,0   | 25,0   | 24,5   | 24,5   | 16,0   | 16,0   | 16,0   | 16,0   | 16,0   | 4,5 |  |
| 5     | -      | -               | 25,0  | 25,0  | 24,9   | 24,1   | 23,3   | 23,3   | 16,0   | 16,0   | 16,0   | 16,0   | 16,0   | 5   |  |
| 6     | -      | -               | -     | 20,3  | 20,1   | 20,0   | 19,9   | 19,9   | 16,0   | 16,0   | 16,0   | 16,0   | 16,0   | 6   |  |
| 7     | -      | -               | -     | 16,9  | 16,8   | 16,7   | 16,6   | 16,6   | 16,0   | 16,0   | 16,0   | 16,0   | 16,0   | 7   |  |
| 8     | -      | -               | -     | -     | 15,0   | 14,7   | 14,5   | 14,5   | 15,3   | 15,1   | 14,9   | 15,6   | 15,4   | 8   |  |
| 9     | -      | -               | -     | -     | -      | 12,0   | 11,7   | 11,7   | 12,5   | 12,3   | 12,1   | 12,7   | 12,5   | 9   |  |
| 10    | -      | -               | -     | -     | -      | -      | 9,8    | 9,8    | 10,5   | 10,3   | 10,1   | 10,7   | 10,5   | 10  |  |
| 12    | -      | -               | -     | -     | -      | -      | -      | -      | -      | 7,6    | 7,4    | 7,9    | 7,8    | 12  |  |
| 14    | -      | -               | -     | -     | -      | -      | -      | -      | -      | -      | 5,7    | 6,2    | 6,0    | 14  |  |
| 16    | -      | -               | -     | -     | -      | -      | -      | -      | -      | -      | -      | -      | 4,8    | 16  |  |
| 1)    | 21,0   | 21,0            | 17,8  | 15,6  | 13,9   | 11,1   | 8,8    | 8,0    | 6,6    | 5,6    | 5,3    | 4,6    | 1)     |     |  |

|     |      | 20,6 m | 21,8 m | 23,0 m | 24,2 m | 25,3 m | 26,5 m | 27,7 m | 28,8 m | 30,0 m | 31,2 m |     |  |
|-----|------|--------|--------|--------|--------|--------|--------|--------|--------|--------|--------|-----|--|
| m   | t    | t      | t      | t      | t      | t      | t      | t      | t      | t      | t      | m   |  |
| 3   | 16,0 | -      | -      | -      | -      | -      | -      | -      | -      | -      | -      | 3   |  |
| 3,5 | 16,0 | 16,0   | -      | -      | -      | -      | -      | -      | -      | -      | -      | 3,5 |  |
| 4   | 16,0 | 16,0   | 16,0   | -      | -      | -      | -      | -      | -      | -      | -      | 4   |  |
| 4,5 | 16,0 | 16,0   | 16,0   | 16,0   | -      | -      | -      | -      | -      | -      | -      | 4,5 |  |
| 5   | 16,0 | 16,0   | 16,0   | 16,0   | 16,0   | -      | -      | -      | -      | -      | -      | 5   |  |
| 6   | 16,0 | 16,0   | 16,0   | 16,0   | 16,0   | 16,0   | 13,7   | -      | -      | -      | -      | 6   |  |
| 7   | 16,0 | 16,0   | 16,0   | 16,0   | 16,0   | 15,7   | 15,6   | 12,4   | 13,1   | 10,8   | 10,8   | 7   |  |
| 8   | 15,2 | 14,8   | 14,4   | 14,4   | 14,4   | 14,3   | 14,0   | 11,3   | 12,4   | 9,9    | 10,0   | 8   |  |
| 9   | 12,4 | 12,7   | 12,7   | 12,5   | 12,2   | 11,9   | 10,2   | 11,5   | 9,2    | 9,2    | 9,3    | 9   |  |
| 10  | 10,3 | 10,8   | 10,6   | 10,5   | 10,3   | 10,2   | 9,3    | 10,1   | 8,5    | 8,5    | 8,7    | 10  |  |
| 12  | 7,6  | 8,0    | 7,9    | 7,8    | 7,6    | 7,5    | 7,4    | 7,5    | 7,4    | 7,4    | 7,5    | 12  |  |
| 14  | 5,9  | 6,3    | 6,1    | 6,0    | 5,9    | 6,0    | 6,1    | 6,0    | 5,9    | 5,9    | 5,8    | 14  |  |
| 16  | 4,7  | 5,1    | 4,9    | 4,8    | 5,0    | 5,0    | 4,9    | 4,9    | 4,8    | 4,7    | 4,6    | 16  |  |
| 18  | -    | 4,2    | 4,0    | 3,9    | 4,2    | 4,1    | 4,0    | 3,9    | 3,9    | 3,8    | 3,7    | 18  |  |
| 20  | -    | -      | -      | 3,2    | 3,5    | 3,4    | 3,3    | 3,2    | 3,2    | 3,1    | 3,0    | 20  |  |
| 22  | -    | -      | -      | -      | 3,0    | 2,9    | 2,8    | 2,6    | 2,6    | 2,5    | 2,5    | 22  |  |
| 24  | -    | -      | -      | -      | -      | -      | 2,3    | 2,2    | 2,2    | 2,1    | 2,0    | 24  |  |
| 26  | -    | -      | -      | -      | -      | -      | -      | -      | -      | 1,7    | 1,6    | 26  |  |
| 28  | -    | -      | -      | -      | -      | -      | -      | -      | -      | -      | 1,3    | 28  |  |
| 1)  | 4,0  | 3,9    | 3,4    | 2,9    | 2,9    | 2,5    | 2,2    | 1,9    | 1,6    | 1,3    | 1)     |     |  |

1) Capacities with horizontal boom

\* 180° over front

\*\* Capacity class



**DEMAG**  
BY TEREX

**AC 45 CITY**

**NEED ADVICE?**

We have experienced staff who can help you. We can visit your site to discuss your needs.

**+44 (0) 1902 405553**



+44 (0) 1902 405553







SCAN ME



**45 TONNE CITY CRANE (TEREX DEMAG AC45)**

| 5,3 t |       | 4,40 m x 6,40 m |       | 360° / Max.* |        |        |        |        |        |        |        |        |        |        |      | ISO |
|-------|-------|-----------------|-------|--------------|--------|--------|--------|--------|--------|--------|--------|--------|--------|--------|------|-----|
| m     | 360°  | Max.            | 360°  | Max.         | 360°   | Max.   | 360°   | Max.   | 360°   | Max.   | 360°   | Max.   | 360°   | Max.   | m    |     |
|       | 7,8 m | 7,8 m           | 8,9 m | 8,9 m        | 10,1 m | 10,1 m | 11,3 m | 11,3 m | 12,4 m | 12,4 m | 13,6 m | 13,6 m | 14,8 m | 14,8 m |      |     |
| 3     | 34,5  | 35,3            | 25,0  | 25,0         | 25,0   | 25,0   | 25,0   | 25,0   | 25,0   | 25,0   | 25,0   | 25,0   | 25,0   | 16,0   | 16,0 | 3   |
| 3,5   | 31,0  | 33,2            | 25,0  | 25,0         | 25,0   | 25,0   | 25,0   | 25,0   | 25,0   | 25,0   | 25,0   | 25,0   | 25,0   | 16,0   | 16,0 | 3,5 |
| 4     | 28,0  | 31,3            | 25,0  | 25,0         | 25,0   | 25,0   | 25,0   | 25,0   | 25,0   | 25,0   | 25,0   | 25,0   | 25,0   | 16,0   | 16,0 | 4   |
| 4,5   | 23,3  | 28,4            | 23,0  | 25,0         | 22,7   | 25,0   | 22,5   | 25,0   | 22,1   | 25,0   | 21,1   | 24,5   | 16,0   | 16,0   | 4,5  |     |
| 5     | -     | -               | 18,4  | 25,0         | 18,2   | 25,0   | 18,0   | 24,9   | 17,8   | 24,1   | 17,7   | 23,2   | 16,0   | 16,0   | 5    |     |
| 6     | -     | -               | -     | -            | 13,5   | 20,2   | 14,0   | 20,1   | 13,7   | 20,0   | 13,5   | 19,9   | 14,3   | 16,0   | 6    |     |
| 7     | -     | -               | -     | -            | 10,3   | 16,9   | 10,7   | 16,8   | 10,4   | 16,7   | 10,3   | 16,6   | 11,0   | 16,0   | 7    |     |
| 8     | -     | -               | -     | -            | -      | 8,5    | 15,0   | 8,3    | 14,7   | 8,1    | 14,5   | 8,8    | 15,3   | 8      |      |     |
| 9     | -     | -               | -     | -            | -      | -      | -      | 6,8    | 12,0   | 6,6    | 11,7   | 7,2    | 12,5   | 9      |      |     |
| 10    | -     | -               | -     | -            | -      | -      | -      | -      | -      | 5,5    | 9,8    | 6,1    | 10,5   | 10     |      |     |
| 1)    | 20,0  | 21,0            | 13,4  | 17,8         | 10,1   | 15,6   | 8,0    | 13,9   | 6,3    | 11,1   | 5,0    | 8,8    | 4,7    | 8,0    | 1)   |     |

| m   | 360°   | Max.   | 360°   | Max.   | 360°   | Max.   | 360°   | Max.   | 360°   | Max.   | 360°   | Max.   | 360°   | Max.   | m   |
|-----|--------|--------|--------|--------|--------|--------|--------|--------|--------|--------|--------|--------|--------|--------|-----|
|     | 16,0 m | 16,0 m | 17,1 m | 17,1 m | 18,3 m | 18,3 m | 19,5 m | 19,5 m | 20,6 m | 20,6 m | 21,8 m | 21,8 m | 23,0 m | 23,0 m |     |
| 3   | 16,0   | 16,0   | 16,0   | 16,0   | 16,0   | 16,0   | 16,0   | 16,0   | 16,0   | 16,0   | -      | -      | -      | -      | 3   |
| 3,5 | 16,0   | 16,0   | 16,0   | 16,0   | 16,0   | 16,0   | 16,0   | 16,0   | 16,0   | 16,0   | 16,0   | 16,0   | -      | -      | 3,5 |
| 4   | 16,0   | 16,0   | 16,0   | 16,0   | 16,0   | 16,0   | 16,0   | 16,0   | 16,0   | 16,0   | 16,0   | 16,0   | 16,0   | 16,0   | 4   |
| 4,5 | 16,0   | 16,0   | 16,0   | 16,0   | 16,0   | 16,0   | 16,0   | 16,0   | 16,0   | 16,0   | 16,0   | 16,0   | 16,0   | 16,0   | 4,5 |
| 5   | 16,0   | 16,0   | 16,0   | 16,0   | 16,0   | 16,0   | 16,0   | 16,0   | 16,0   | 16,0   | 16,0   | 16,0   | 16,0   | 16,0   | 5   |
| 6   | 14,1   | 16,0   | 13,9   | 16,0   | 14,5   | 16,0   | 14,3   | 16,0   | 13,8   | 16,0   | 14,1   | 16,0   | 13,6   | 16,0   | 6   |
| 7   | 10,8   | 16,0   | 10,6   | 16,0   | 11,2   | 16,0   | 11,0   | 16,0   | 10,8   | 16,0   | 11,3   | 16,0   | 11,1   | 16,0   | 7   |
| 8   | 8,6    | 15,1   | 8,4    | 14,9   | 9,0    | 15,6   | 8,8    | 15,4   | 8,7    | 15,2   | 9,1    | 14,8   | 8,9    | 14,4   | 8   |
| 9   | 7,1    | 12,3   | 6,9    | 12,1   | 7,4    | 12,7   | 7,3    | 12,5   | 7,1    | 12,4   | 7,5    | 12,7   | 7,4    | 12,7   | 9   |
| 10  | 5,9    | 10,3   | 5,8    | 10,1   | 6,2    | 10,7   | 6,1    | 10,5   | 6,0    | 10,3   | 6,3    | 10,8   | 6,2    | 10,6   | 10  |
| 12  | 4,4    | 7,6    | 4,2    | 7,4    | 4,6    | 7,9    | 4,5    | 7,8    | 4,4    | 7,6    | 4,7    | 8,0    | 4,6    | 7,9    | 12  |
| 14  | -      | -      | 3,2    | 5,7    | 3,6    | 6,2    | 3,5    | 6,0    | 3,3    | 5,9    | 3,7    | 6,3    | 3,5    | 6,1    | 14  |
| 16  | -      | -      | -      | -      | -      | 2,7    | 4,8    | 2,6    | 4,7    | 2,9    | 5,1    | 2,8    | 4,9    | 16     |     |
| 18  | -      | -      | -      | -      | -      | -      | -      | -      | -      | 2,4    | 4,2    | 2,2    | 4,0    | 18     |     |
| 1)  | 3,8    | 6,6    | 3,2    | 5,6    | 3,1    | 5,3    | 2,6    | 4,6    | 2,2    | 4,0    | 2,2    | 3,9    | 1,8    | 3,4    | 1)  |

| m   | 360°   | Max.   | 360°   | Max.   | 360°   | Max.   | 360°   | Max.   | 360°   | Max.   | 360°   | Max.   | 360°   | Max.   | m   |
|-----|--------|--------|--------|--------|--------|--------|--------|--------|--------|--------|--------|--------|--------|--------|-----|
|     | 24,2 m | 24,2 m | 25,3 m | 25,3 m | 26,5 m | 26,5 m | 27,7 m | 27,7 m | 28,8 m | 28,8 m | 30,0 m | 30,0 m | 31,2 m | 31,2 m |     |
| 4,5 | 16,0   | 16,0   | -      | -      | -      | -      | -      | -      | -      | -      | -      | -      | -      | -      | 4,5 |
| 5   | 16,0   | 16,0   | 15,8   | 16,0   | -      | -      | -      | -      | -      | -      | -      | -      | -      | -      | 5   |
| 6   | 13,2   | 16,0   | 12,8   | 16,0   | 12,4   | 16,0   | 12,0   | 13,7   | 11,7   | 11,7   | -      | -      | -      | -      | 6   |
| 7   | 10,9   | 16,0   | 10,6   | 15,7   | 10,4   | 15,6   | 10,5   | 12,4   | 10,2   | 13,1   | 9,9    | 10,8   | 9,6    | 10,8   | 7   |
| 8   | 8,8    | 14,4   | 9,2    | 14,3   | 9,0    | 14,0   | 8,9    | 11,3   | 8,7    | 12,4   | 8,4    | 9,9    | 8,2    | 10,0   | 8   |
| 9   | 7,2    | 12,5   | 7,6    | 12,2   | 7,5    | 11,9   | 7,4    | 10,2   | 7,3    | 11,5   | 7,2    | 9,2    | 7,1    | 9,3    | 9   |
| 10  | 6,1    | 10,5   | 6,4    | 10,3   | 6,3    | 10,2   | 6,2    | 9,3    | 6,1    | 10,1   | 6,0    | 8,5    | 5,9    | 8,7    | 10  |
| 12  | 4,5    | 7,8    | 4,8    | 7,6    | 4,7    | 7,5    | 4,6    | 7,4    | 4,5    | 7,5    | 4,4    | 7,4    | 4,3    | 7,5    | 12  |
| 14  | 3,4    | 6,0    | 3,7    | 5,9    | 3,6    | 6,0    | 3,5    | 6,1    | 3,5    | 6,0    | 3,4    | 5,9    | 3,3    | 5,8    | 14  |
| 16  | 2,7    | 4,8    | 3,0    | 5,0    | 2,9    | 5,0    | 2,8    | 4,9    | 2,7    | 4,8    | 2,6    | 4,7    | 2,6    | 4,6    | 16  |
| 18  | 2,1    | 3,9    | 2,4    | 4,2    | 2,3    | 4,1    | 2,2    | 4,0    | 2,1    | 3,9    | 2,1    | 3,8    | 2,0    | 3,7    | 18  |
| 20  | 1,7    | 3,2    | 2,0    | 3,5    | 1,9    | 3,4    | 1,8    | 3,3    | 1,7    | 3,2    | 1,6    | 3,1    | 1,6    | 3,0    | 20  |
| 22  | -      | -      | 1,6    | 3,0    | 1,5    | 2,9    | 1,5    | 2,8    | 1,4    | 2,6    | 1,3    | 2,5    | 1,2    | 2,5    | 22  |
| 24  | -      | -      | -      | -      | -      | -      | 1,2    | 2,3    | 1,1    | 2,2    | 1,0    | 2,1    | 0,9    | 2,0    | 24  |
| 26  | -      | -      | -      | -      | -      | -      | -      | -      | -      | -      | 0,8    | 1,7    | 0,7    | 1,6    | 26  |
| 28  | -      | -      | -      | -      | -      | -      | -      | -      | -      | -      | -      | -      | -      | 1,3    | 28  |
| 1)  | 1,5    | 2,9    | 1,6    | 2,9    | 1,3    | 2,5    | 1,1    | 2,2    | 0,9    | 1,9    | 0,7    | 1,6    | -      | 1,3    | 1)  |

1) Capacities with horizontal boom

\* Max. values are valid only for specific superstructure positions



**NEED ADVICE?**  
We have experienced staff who can help you. We can visit your site to discuss your needs.  
**+44 (0) 1902 405553**





SCAN ME

## 45 TONNE CITY CRANE (TEREX DEMAG AC45)



| 5,3 t |     | 2,34 m x 6,40 m |       | 360° / Max.* |       |        |      |        |        |      |        |        |     |        |        | ISO  |        |        |      |        |
|-------|-----|-----------------|-------|--------------|-------|--------|------|--------|--------|------|--------|--------|-----|--------|--------|------|--------|--------|------|--------|
| 360°  |     | Max.            | 360°  |              | Max.  | 360°   |      | Max.   | 360°   |      | Max.   | 360°   |     | Max.   | 360°   |      | Max.   |        |      |        |
| 7,8 m |     | 7,8 m           | 8,9 m |              | 8,9 m | 10,1 m |      | 10,1 m | 11,3 m |      | 11,3 m | 12,4 m |     | 12,4 m | 13,6 m |      | 13,6 m | 14,8 m |      | 14,8 m |
| m     | t   | t               | t     | t            | t     | t      | t    | t      | t      | t    | t      | t      | t   | t      | t      | t    | t      | t      | t    | m      |
| 3     | -   | 35,3            | -     | 25,0         | -     | 25,0   | -    | 25,0   | -      | 25,0 | -      | 25,0   | -   | 25,0   | -      | 16,0 | -      | 16,0   | -    | 3      |
| 3,5   | -   | 33,2            | -     | 25,0         | -     | 25,0   | -    | 25,0   | -      | 25,0 | -      | 25,0   | -   | 25,0   | -      | 16,0 | -      | 16,0   | -    | 3,5    |
| 4     | -   | 31,3            | -     | 25,0         | -     | 25,0   | -    | 25,0   | -      | 25,0 | -      | 25,0   | -   | 25,0   | -      | 16,0 | -      | 16,0   | -    | 4      |
| 4,5   | 9,4 | 28,4            | 9,2   | 25,0         | 9,7   | 25,0   | 10,0 | 25,0   | 10,0   | 25,0 | 9,8    | 25,0   | 9,6 | 24,5   | 10,4   | 16,0 | 16,0   | 16,0   | 16,0 | 4,5    |
| 5     | -   | -               | 7,7   | 25,0         | 8,2   | 25,0   | 8,5  | 24,9   | 8,3    | 24,1 | 8,1    | 23,2   | 8,8 | 16,0   | 16,0   | 16,0 | 16,0   | 16,0   | 16,0 | 5      |
| 6     | -   | -               | -     | -            | 6,1   | 20,2   | 6,4  | 20,1   | 6,2    | 20,0 | 6,0    | 19,9   | 6,6 | 16,0   | 16,0   | 16,0 | 16,0   | 16,0   | 16,0 | 6      |
| 7     | -   | -               | -     | -            | 4,7   | 16,9   | 5,0  | 16,8   | 4,8    | 16,7 | 4,7    | 16,6   | 5,2 | 16,0   | 16,0   | 16,0 | 16,0   | 16,0   | 16,0 | 7      |
| 8     | -   | -               | -     | -            | -     | -      | 4,0  | 15,0   | 3,8    | 14,7 | 3,7    | 14,5   | 4,2 | 15,3   | 8      | 16,0 | 16,0   | 16,0   | 16,0 | 8      |
| 9     | -   | -               | -     | -            | -     | -      | -    | -      | 3,1    | 12,0 | 3,0    | 11,7   | 3,5 | 12,5   | 9      | 16,0 | 16,0   | 16,0   | 16,0 | 9      |
| 10    | -   | -               | -     | -            | -     | -      | -    | -      | -      | -    | 2,4    | 9,8    | 2,9 | 10,5   | 10     | 16,0 | 16,0   | 16,0   | 16,0 | 10     |
| 1)    | 8,3 | 21,0            | 5,8   | 17,8         | 4,6   | 15,6   | 3,8  | 13,9   | 2,9    | 11,1 | 2,2    | 8,8    | 2,2 | 8,0    | 1)     |      |        |        |      |        |

| 360°   |      | Max.   | 360°   |      | Max.   | 360°   |      | Max.   | 360°   |      | Max.   | 360°   |     | Max.   | 360°   |      | Max.   |        |      |        |
|--------|------|--------|--------|------|--------|--------|------|--------|--------|------|--------|--------|-----|--------|--------|------|--------|--------|------|--------|
| 16,0 m |      | 16,0 m | 17,1 m |      | 17,1 m | 18,3 m |      | 18,3 m | 19,5 m |      | 19,5 m | 20,6 m |     | 20,6 m | 21,8 m |      | 21,8 m | 23,0 m |      | 23,0 m |
| m      | t    | t      | t      | t    | t      | t      | t    | t      | t      | t    | t      | t      | t   | t      | t      | t    | t      | t      | t    | m      |
| 3      | -    | 16,0   | -      | 16,0 | -      | 16,0   | -    | 16,0   | -      | 16,0 | -      | 16,0   | -   | 16,0   | -      | 16,0 | -      | 16,0   | -    | 3      |
| 3,5    | -    | 16,0   | -      | 16,0 | -      | 16,0   | -    | 16,0   | -      | 16,0 | -      | 16,0   | -   | 16,0   | -      | 16,0 | -      | 16,0   | -    | 3,5    |
| 4      | -    | 16,0   | -      | 16,0 | -      | 16,0   | -    | 16,0   | -      | 16,0 | -      | 16,0   | -   | 16,0   | -      | 16,0 | -      | 16,0   | -    | 4      |
| 4,5    | 10,2 | 16,0   | 10,0   | 16,0 | 10,6   | 16,0   | 10,1 | 16,0   | 9,7    | 16,0 | 10,0   | 16,0   | 9,6 | 16,0   | 10,4   | 16,0 | 16,0   | 16,0   | 16,0 | 4,5    |
| 5      | 8,6  | 16,0   | 8,5    | 16,0 | 9,0    | 16,0   | 8,8  | 16,0   | 8,6    | 16,0 | 9,0    | 16,0   | 8,6 | 16,0   | 9,4    | 16,0 | 16,0   | 16,0   | 16,0 | 5      |
| 6      | 6,5  | 16,0   | 6,3    | 16,0 | 6,8    | 16,0   | 6,7  | 16,0   | 6,5    | 16,0 | 6,9    | 16,0   | 6,8 | 16,0   | 7,6    | 16,0 | 16,0   | 16,0   | 16,0 | 6      |
| 7      | 5,1  | 16,0   | 4,9    | 16,0 | 5,4    | 16,0   | 5,2  | 16,0   | 5,1    | 16,0 | 5,5    | 16,0   | 5,3 | 16,0   | 6,2    | 16,0 | 16,0   | 16,0   | 16,0 | 7      |
| 8      | 4,1  | 15,1   | 3,9    | 14,9 | 4,4    | 15,6   | 4,2  | 15,4   | 4,1    | 15,2 | 4,5    | 14,8   | 4,3 | 14,4   | 8      | 16,0 | 16,0   | 16,0   | 16,0 | 8      |
| 9      | 3,3  | 12,3   | 3,2    | 12,1 | 3,6    | 12,7   | 3,5  | 12,5   | 3,4    | 12,4 | 3,7    | 12,7   | 3,6 | 12,7   | 9      | 16,0 | 16,0   | 16,0   | 16,0 | 9      |
| 10     | 2,8  | 10,3   | 2,7    | 10,1 | 3,0    | 10,7   | 2,9  | 10,5   | 2,8    | 10,3 | 3,1    | 10,8   | 3,0 | 10,6   | 10     | 16,0 | 16,0   | 16,0   | 16,0 | 10     |
| 12     | 2,0  | 7,6    | 1,8    | 7,4  | 2,2    | 7,9    | 2,1  | 7,8    | 2,0    | 7,6  | 2,3    | 8,0    | 2,2 | 7,9    | 12     | 16,0 | 16,0   | 16,0   | 16,0 | 12     |
| 14     | -    | -      | 1,3    | 5,7  | 1,6    | 6,2    | 1,5  | 6,0    | 1,4    | 5,9  | 1,7    | 6,3    | 1,6 | 6,1    | 14     | 16,0 | 16,0   | 16,0   | 16,0 | 14     |
| 16     | -    | -      | -      | -    | -      | -      | -    | -      | 1,1    | 4,8  | 1,0    | 4,7    | 1,3 | 4,9    | 16     | 16,0 | 16,0   | 16,0   | 16,0 | 16     |
| 18     | -    | -      | -      | -    | -      | -      | -    | -      | -      | -    | 1,0    | 4,2    | 0,9 | 4,0    | 18     | 16,0 | 16,0   | 16,0   | 16,0 | 18     |
| 1)     | 1,7  | 6,6    | 1,3    | 5,6  | 1,4    | 5,3    | 1,0  | 4,6    | 0,8    | 4,0  | 0,9    | 3,9    | 0,6 | 3,4    | 1)     |      |        |        |      |        |

| 360°   |     | Max.   | 360°   |      | Max.   | 360°   |     | Max.   | 360°   |      | Max.   | 360°   |     | Max.   | 360°   |      | Max.   |        |      |        |
|--------|-----|--------|--------|------|--------|--------|-----|--------|--------|------|--------|--------|-----|--------|--------|------|--------|--------|------|--------|
| 24,2 m |     | 24,2 m | 25,3 m |      | 25,3 m | 26,5 m |     | 26,5 m | 27,7 m |      | 27,7 m | 28,8 m |     | 28,8 m | 30,0 m |      | 30,0 m | 31,2 m |      | 31,2 m |
| m      | t   | t      | t      | t    | t      | t      | t   | t      | t      | t    | t      | t      | t   | t      | t      | t    | t      | t      | t    | m      |
| 4,5    | 9,2 | 16,0   | -      | -    | -      | -      | -   | -      | -      | -    | -      | -      | -   | -      | -      | -    | -      | -      | -    | 4,5    |
| 5      | 8,3 | 16,0   | 8,5    | 16,0 | -      | -      | -   | -      | -      | -    | -      | -      | -   | -      | -      | -    | -      | -      | -    | 5      |
| 6      | 6,7 | 16,0   | 7,0    | 16,0 | 6,7    | 16,0   | 6,5 | 13,7   | 6,3    | 11,7 | -      | -      | -   | -      | -      | -    | -      | -      | 6    |        |
| 7      | 5,2 | 16,0   | 5,6    | 15,7 | 5,4    | 15,6   | 5,3 | 12,4   | 5,2    | 13,1 | 5,0    | 10,8   | 4,8 | 10,8   | 7      | 16,0 | 16,0   | 16,0   | 16,0 | 7      |
| 8      | 4,2 | 14,4   | 4,5    | 14,3 | 4,4    | 14,0   | 4,3 | 11,3   | 4,2    | 12,4 | 4,2    | 9,9    | 4,0 | 10,0   | 8      | 16,0 | 16,0   | 16,0   | 16,0 | 8      |
| 9      | 3,5 | 12,5   | 3,8    | 12,2 | 3,7    | 11,9   | 3,6 | 10,2   | 3,5    | 11,5 | 3,4    | 9,2    | 3,3 | 9,3    | 9      | 16,0 | 16,0   | 16,0   | 16,0 | 9      |
| 10     | 2,9 | 10,5   | 3,2    | 10,3 | 3,1    | 10,2   | 3,0 | 9,3    | 2,9    | 10,1 | 2,8    | 8,5    | 2,8 | 8,7    | 10     | 16,0 | 16,0   | 16,0   | 16,0 | 10     |
| 12     | 2,1 | 7,8    | 2,3    | 7,6  | 2,2    | 7,5    | 2,2 | 7,4    | 2,1    | 7,5  | 2,0    | 7,4    | 1,9 | 7,5    | 12     | 16,0 | 16,0   | 16,0   | 16,0 | 12     |
| 14     | 1,5 | 6,0    | 1,7    | 5,9  | 1,7    | 6,0    | 1,6 | 6,1    | 1,5    | 6,0  | 1,4    | 5,9    | 1,4 | 5,8    | 14     | 16,0 | 16,0   | 16,0   | 16,0 | 14     |
| 16     | 1,1 | 4,8    | 1,3    | 5,0  | 1,2    | 5,0    | 1,2 | 4,9    | 1,1    | 4,8  | 1,0    | 4,7    | 0,9 | 4,6    | 16     | 16,0 | 16,0   | 16,0   | 16,0 | 16     |
| 18     | 0,8 | 3,9    | 1,0    | 4,2  | 0,9    | 4,1    | 0,8 | 4,0    | 0,8    | 3,9  | 0,7    | 3,8    | -   | 3,7    | 18     | 16,0 | 16,0   | 16,0   | 16,0 | 18     |
| 20     | -   | 3,2    | 0,7    | 3,5  | 0,7    | 3,4    | -   | 3,3    | -      | 3,2  | -      | 3,1    | -   | 3,0    | 20     | 16,0 | 16,0   | 16,0   | 16,0 | 20     |
| 22     | -   | -      | -      | 3,0  | -      | 2,9    | -   | 2,8    | -      | 2,6  | -      | 2,5    | -   | 2,5    | 22     | 16,0 | 16,0   | 16,0   | 16,0 | 22     |
| 24     | -   | -      | -      | -    | -      | -      | -   | 2,3    | -      | 2,2  | -      | 2,1    | -   | 2,0    | 24     | 16,0 | 16,0   | 16,0   | 16,0 | 24     |
| 26     | -   | -      | -      | -    | -      | -      | -   | -      | -      | -    | -      | 1,7    | -   | 1,6    | 26     | 16,0 | 16,0   | 16,0   | 16,0 | 26     |
| 28     | -   | -      | -      | -    | -      | -      | -   | -      | -      | -    | -      | -      | -   | 1,3    | 28     | 16,0 | 16,0   | 16,0   | 16,0 | 28     |
| 1)     | -   | 2,9    | -      | 2,9  | -      | 2,5    | -   | 2,2    | -      | 1,9  | -      | 1,6    | -   | 1,3    | 1)     |      |        |        |      |        |

1) Capacities with horizontal boom.

\* Max. values are valid only for specific superstructure positions.



**NEED ADVICE?**  
We have experienced staff who can help you. We can visit your site to discuss your needs.  
**+44 (0) 1902 405553**





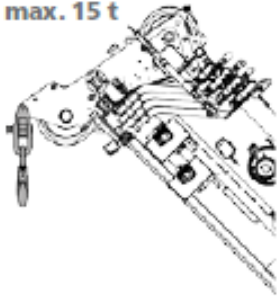
SCAN ME

**RUNNER / SEARCHER HOOK CAPATABLE WITH OUR  
TEREX AC 45 CITY CRANE**

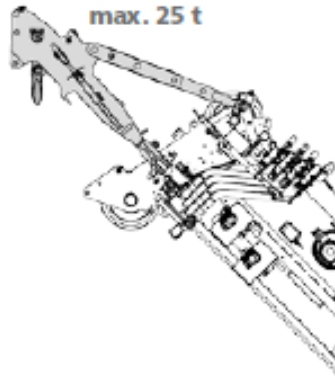
**MS**

Runner and cross bar -

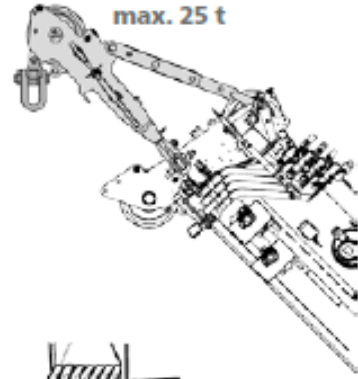
max. 15 t



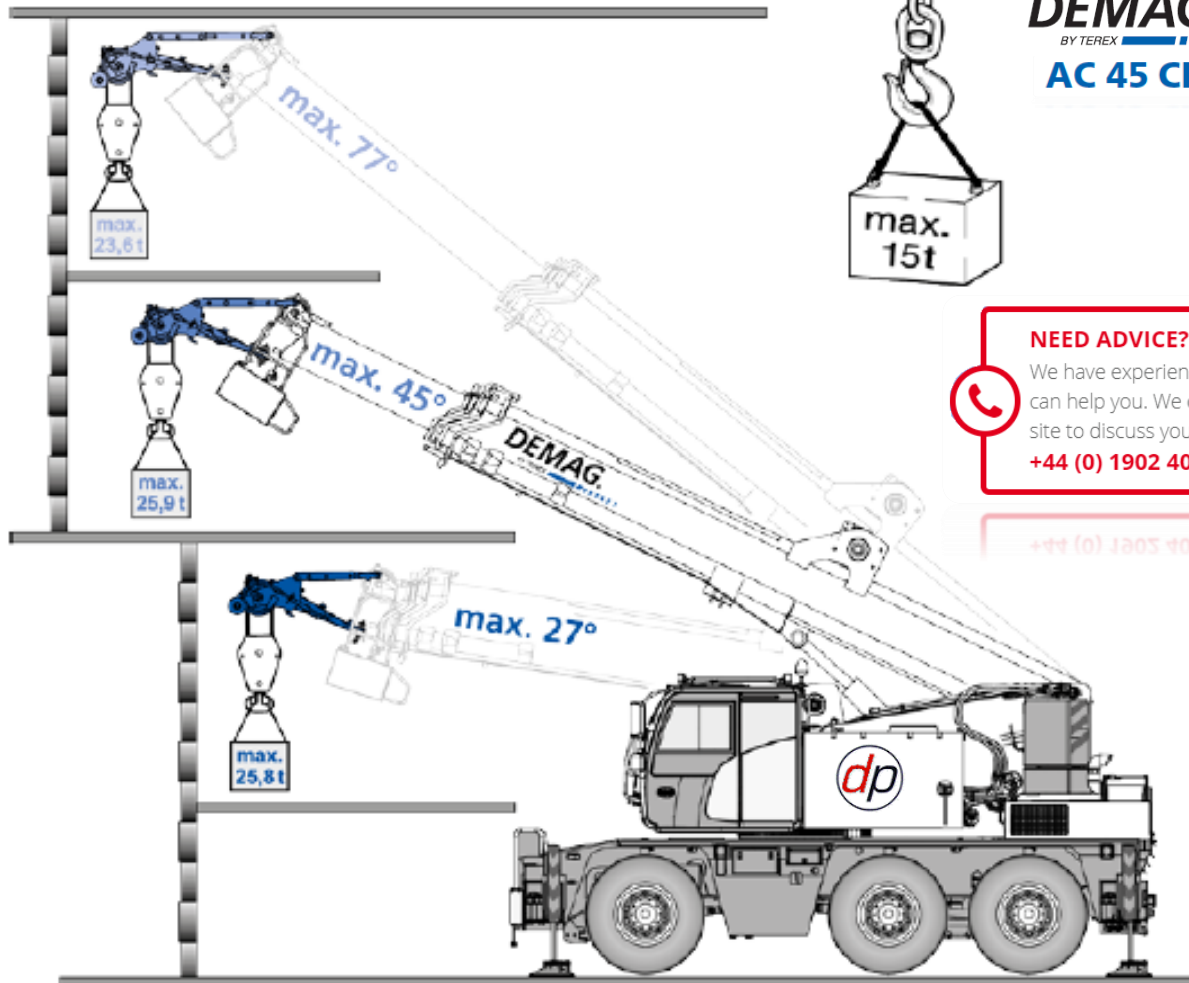
max. 25 t



max. 25 t



**DEMAG**  
BY TEREX  
**AC 45 CITY**



**NEED ADVICE?**

We have experienced staff who can help you. We can visit your site to discuss your needs.

+44 (0) 1902 405553



+44 (0) 1902 405553





SCAN ME

## RUNNER / SEARCHER HOOK CAPATABLE WITH OUR TEREX AC 45 CITY CRANE

| 5,3 t |     | 6,20 m x 6,40 m |      |      |      |      |      | 29,4° |     |     |   |   |   | 360° |   |   |   |   |     | ISO |
|-------|-----|-----------------|------|------|------|------|------|-------|-----|-----|---|---|---|------|---|---|---|---|-----|-----|
| m     | t   | t               | t    | t    | t    | t    | t    | t     | t   | t   | t | t | t | t    | t | t | t | t | m   |     |
| 4     | 160 | -               | -    | -    | -    | -    | -    | -     | -   | -   | - | - | - | -    | - | - | - | - | 4   |     |
| 4.5   | 160 | 16.0            | -    | -    | -    | -    | -    | -     | -   | -   | - | - | - | -    | - | - | - | - | 4.5 |     |
| 5     | 160 | 16.0            | 16.0 | -    | -    | -    | -    | -     | -   | -   | - | - | - | -    | - | - | - | - | 5   |     |
| 6     | 160 | 16.0            | 16.0 | 16.0 | 15.7 | 14.5 | -    | -     | -   | -   | - | - | - | -    | - | - | - | - | 6   |     |
| 7     | 152 | 15.6            | 15.9 | 14.6 | 13.5 | 13.7 | 11.6 | 12.3  | -   | -   | - | - | - | -    | - | - | - | - | 7   |     |
| 8     | 141 | 14.5            | 14.3 | 13.7 | 12.6 | 12.8 | 10.5 | 11.7  | 9.2 | 9.2 | - | - | - | -    | - | - | - | - | 8   |     |
| 9     | 125 | 12.4            | 12.1 | 12.1 | 11.8 | 11.8 | 9.5  | 10.9  | 8.5 | 8.6 | - | - | - | -    | - | - | - | - | 9   |     |
| 10    | 105 | 10.3            | 10.6 | 10.6 | 10.4 | 10.2 | 8.7  | 10.0  | 7.9 | 8.0 | - | - | - | -    | - | - | - | - | 10  |     |
| 12    | 77  | 8.1             | 7.9  | 7.8  | 7.7  | 7.6  | 7.4  | 7.6   | 6.9 | 7.1 | - | - | - | -    | - | - | - | - | 12  |     |
| 14    | 59  | 6.3             | 6.1  | 6.0  | 5.9  | 5.8  | 5.8  | 5.9   | 5.9 | 5.8 | - | - | - | -    | - | - | - | - | 14  |     |
| 16    | 47  | 5.0             | 4.9  | 4.8  | 4.7  | 4.9  | 4.9  | 4.8   | 4.7 | 4.6 | - | - | - | -    | - | - | - | - | 16  |     |
| 18    | 38  | 4.1             | 4.0  | 3.9  | 4.2  | 4.0  | 3.9  | 3.8   | 3.8 | 3.7 | - | - | - | -    | - | - | - | - | 18  |     |
| 20    | -   | -               | 3.3  | 3.2  | 3.4  | 3.3  | 3.2  | 3.1   | 3.0 | 2.9 | - | - | - | -    | - | - | - | - | 20  |     |
| 22    | -   | -               | -    | 2.6  | 2.9  | 2.8  | 2.7  | 2.6   | 2.5 | 2.4 | - | - | - | -    | - | - | - | - | 22  |     |
| 24    | -   | -               | -    | -    | -    | -    | 2.3  | 2.2   | 2.1 | 2.0 | - | - | - | -    | - | - | - | - | 24  |     |
| 26    | -   | -               | -    | -    | -    | -    | -    | -     | -   | -   | - | - | - | -    | - | - | - | - | 26  |     |
| 28    | -   | -               | -    | -    | -    | -    | -    | -     | -   | -   | - | - | - | -    | - | - | - | - | 28  |     |
| 1)    | 3.5 | 3.4             | 3.0  | 2.5  | 2.6  | 2.2  | 1.9  | 1.6   | 1.3 | 1.0 | - | - | - | -    | - | - | - | - | 1)  |     |

1) Capacities with horizontal boom

| 5,3 t |     | 4,40 m x 6,40 m |      |      |      |      |     | 29,4° |     |     |   |   |   | 360° |   |   |   |   |     | ISO |
|-------|-----|-----------------|------|------|------|------|-----|-------|-----|-----|---|---|---|------|---|---|---|---|-----|-----|
| m     | t   | t               | t    | t    | t    | t    | t   | t     | t   | t   | t | t | t | t    | t | t | t | t | m   |     |
| 4     | 160 | -               | -    | -    | -    | -    | -   | -     | -   | -   | - | - | - | -    | - | - | - | - | 4   |     |
| 4.5   | 160 | 16.0            | -    | -    | -    | -    | -   | -     | -   | -   | - | - | - | -    | - | - | - | - | 4.5 |     |
| 5     | 160 | 16.0            | 15.9 | -    | -    | -    | -   | -     | -   | -   | - | - | - | -    | - | - | - | - | 5   |     |
| 6     | 137 | 13.8            | 13.4 | 13.0 | 12.6 | 10.3 | -   | -     | -   | -   | - | - | - | -    | - | - | - | - | 6   |     |
| 7     | 110 | 11.5            | 11.1 | 10.8 | 10.4 | 10.1 | 9.8 | 9.8   | -   | -   | - | - | - | -    | - | - | - | - | 7   |     |
| 8     | 88  | 9.2             | 9.0  | 8.9  | 8.8  | 8.6  | 8.8 | 8.6   | 8.3 | 8.1 | - | - | - | -    | - | - | - | - | 8   |     |
| 9     | 72  | 7.6             | 7.5  | 7.3  | 7.6  | 7.5  | 7.4 | 7.3   | 7.1 | 6.9 | - | - | - | -    | - | - | - | - | 9   |     |
| 10    | 61  | 6.4             | 6.3  | 6.2  | 6.4  | 6.3  | 6.2 | 6.1   | 6.0 | 6.0 | - | - | - | -    | - | - | - | - | 10  |     |
| 12    | 44  | 4.7             | 4.6  | 4.5  | 4.8  | 4.7  | 4.6 | 4.5   | 4.4 | 4.3 | - | - | - | -    | - | - | - | - | 12  |     |
| 14    | 34  | 3.7             | 3.5  | 3.4  | 3.7  | 3.6  | 3.5 | 3.4   | 3.3 | 3.3 | - | - | - | -    | - | - | - | - | 14  |     |
| 16    | 26  | 2.9             | 2.8  | 2.7  | 2.9  | 2.8  | 2.7 | 2.7   | 2.6 | 2.5 | - | - | - | -    | - | - | - | - | 16  |     |
| 18    | 20  | 2.3             | 2.2  | 2.1  | 2.3  | 2.2  | 2.2 | 2.1   | 2.0 | 1.9 | - | - | - | -    | - | - | - | - | 18  |     |
| 20    | -   | -               | 1.8  | 1.7  | 1.9  | 1.8  | 1.7 | 1.6   | 1.6 | 1.5 | - | - | - | -    | - | - | - | - | 20  |     |
| 22    | -   | -               | -    | 1.3  | 1.6  | 1.5  | 1.4 | 1.3   | 1.2 | 1.2 | - | - | - | -    | - | - | - | - | 22  |     |
| 24    | -   | -               | -    | -    | -    | -    | 1.2 | 1.1   | 1.0 | 0.9 | - | - | - | -    | - | - | - | - | 24  |     |
| 26    | -   | -               | -    | -    | -    | -    | -   | -     | -   | -   | - | - | - | -    | - | - | - | - | 26  |     |
| 1)    | 1.9 | 1.9             | 1.6  | 1.3  | 1.4  | 1.1  | 0.9 | 0.6   | -   | -   | - | - | - | -    | - | - | - | - | 1)  |     |

1) Capacities with horizontal boom

| 5,3 t |      | 6,20 m x 6,40 m |      |      |      |      |      | 29,4° |      |      |      |      |      | 360° |      |      |      |      |     | ISO |
|-------|------|-----------------|------|------|------|------|------|-------|------|------|------|------|------|------|------|------|------|------|-----|-----|
| m     | t    | t               | t    | t    | t    | t    | t    | t     | t    | t    | t    | t    | t    | t    | t    | t    | t    | t    | m   |     |
| 3     | 212  | 21.9            | 22.7 | 22.9 | 23.1 | 23.3 | 16.0 | 16.0  | 16.0 | 16.0 | -    | -    | -    | -    | -    | -    | -    | -    | 3   |     |
| 3.5   | 206  | 21.2            | 22.1 | 22.7 | 22.8 | 23.0 | 16.0 | 16.0  | 16.0 | 16.0 | 16.0 | 16.0 | 16.0 | 16.0 | 16.0 | 16.0 | 16.0 | 16.0 | 3.5 |     |
| 4     | 201  | 20.6            | 21.4 | 22.1 | 22.5 | 22.1 | 16.0 | 16.0  | 16.0 | 16.0 | 16.0 | 16.0 | 16.0 | 16.0 | 16.0 | 16.0 | 16.0 | 16.0 | 4   |     |
| 4.5   | 193  | 20.2            | 20.8 | 21.5 | 22.1 | 21.2 | 16.0 | 16.0  | 16.0 | 16.0 | 16.0 | 16.0 | 16.0 | 16.0 | 16.0 | 16.0 | 16.0 | 16.0 | 4.5 |     |
| 5     | 181  | 19.7            | 20.3 | 21.0 | 21.6 | 20.2 | 16.0 | 16.0  | 16.0 | 16.0 | 16.0 | 16.0 | 16.0 | 16.0 | 16.0 | 16.0 | 16.0 | 16.0 | 5   |     |
| 6     | -    | 18.0            | 19.6 | 20.1 | 20.4 | 18.0 | 16.0 | 16.0  | 16.0 | 16.0 | 16.0 | 16.0 | 16.0 | 16.0 | 16.0 | 16.0 | 16.0 | 16.0 | 6   |     |
| 7     | -    | 17.3            | 17.2 | 17.1 | 17.0 | 16.0 | 16.0 | 16.0  | 16.0 | 16.0 | 16.0 | 16.0 | 16.0 | 16.0 | 16.0 | 16.0 | 16.0 | 16.0 | 7   |     |
| 8     | -    | -               | 14.9 | 15.3 | 15.1 | 14.8 | 15.5 | 15.4  | 15.2 | 15.0 | 15.1 | 15.1 | 15.1 | 15.1 | 15.1 | 15.1 | 15.1 | 15.1 | 8   |     |
| 9     | -    | -               | -    | 12.4 | 12.2 | 12.0 | 12.7 | 12.5  | 12.3 | 12.5 | 12.7 | 12.7 | 12.7 | 12.7 | 12.7 | 12.7 | 12.7 | 12.7 | 9   |     |
| 10    | -    | -               | -    | -    | 10.2 | 10.0 | 10.6 | 10.4  | 10.3 | 10.8 | 10.6 | 10.6 | 10.6 | 10.6 | 10.6 | 10.6 | 10.6 | 10.6 | 10  |     |
| 12    | -    | -               | -    | -    | -    | -    | 7.8  | 7.7   | 7.5  | 8.0  | 7.8  | 7.8  | 7.8  | 7.8  | 7.8  | 7.8  | 7.8  | 7.8  | 12  |     |
| 14    | -    | -               | -    | -    | -    | -    | -    | 5.9   | 5.8  | 6.2  | 6.0  | 6.0  | 6.0  | 6.0  | 6.0  | 6.0  | 6.0  | 6.0  | 14  |     |
| 16    | -    | -               | -    | -    | -    | -    | -    | -     | -    | 4.9  | 4.8  | 4.8  | 4.8  | 4.8  | 4.8  | 4.8  | 4.8  | 4.8  | 16  |     |
| 1)    | 18.1 | 15.6            | 13.9 | 11.5 | 9.3  | 7.5  | 6.9  | 5.8   | 5.0  | 4.7  | 4.1  | 4.1  | 4.1  | 4.1  | 4.1  | 4.1  | 4.1  | 4.1  | 1)  |     |



**DEMAG**  
BY TEREX

**AC 45 CITY**



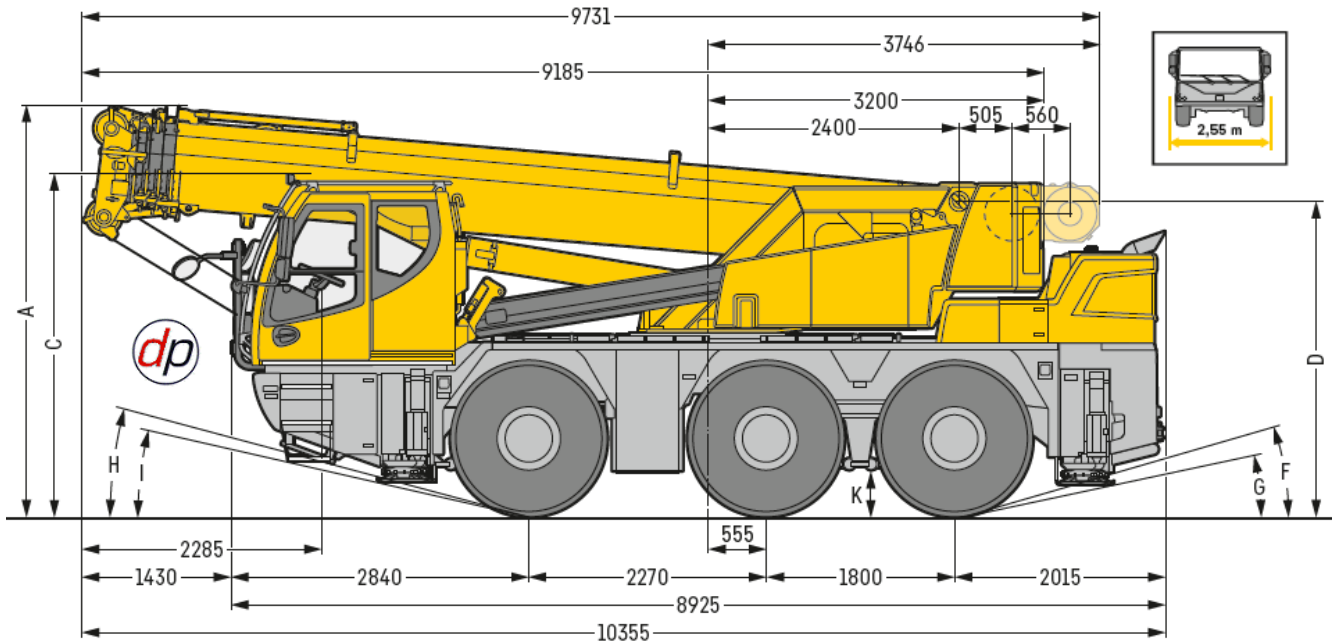
| 5,3 t |      | 4,40 m x 6,40 m |      |      |      |      |      | 29,4° |      |      |      |      |      | 360° |      |      |      |      |     | ISO |
|-------|------|-----------------|------|------|------|------|------|-------|------|------|------|------|------|------|------|------|------|------|-----|-----|
| m     | t    | t               | t    | t    | t    | t    | t    | t     | t    | t    | t    | t    | t    | t    | t    | t    | t    | t    | m   |     |
| 3     | 212  | 21.9            | 22.7 | 22.9 | 23.1 | 23.3 | 16.0 | 16.0  | 16.0 | 16.0 | -    | -    | -    | -    | -    | -    | -    | -    | 3   |     |
| 3.5   | 206  | 21.2            | 22.1 | 22.7 | 22.8 | 23.0 | 16.0 | 16.0  | 16.0 | 16.0 | 16.0 | 16.0 | 16.0 | 16.0 | 16.0 | 16.0 | 16.0 | 16.0 | 3.5 |     |
| 4     | 201  | 20.6            | 21.4 | 22.1 | 22.5 | 22.1 | 16.0 | 16.0  | 16.0 | 16.0 | 16.0 | 16.0 | 16.0 | 16.0 | 16.0 | 16.0 | 16.0 | 16.0 | 4   |     |
| 4.5   | 193  | 20.2            | 20.8 | 21.5 | 22.0 | 21.1 | 16.0 | 16.0  | 16.0 | 16.0 | 16.0 | 16.0 | 16.0 | 16.0 | 16.0 | 16.0 | 16.0 | 16.0 | 4.5 |     |
| 5     | 181  | 19.3            | 19.0 | 18.8 | 18.6 | 18.1 | 16.0 | 16.0  | 16.0 | 16.0 | 16.0 | 16.0 | 16.0 | 16.0 | 16.0 | 16.0 | 16.0 | 16.0 | 5   |     |
| 6     | -    | 13.6            | 14.0 | 14.4 | 14.1 | 13.9 | 14.6 | 14.4  | 14.2 | 14.7 | 14.1 | 14.1 | 14.1 | 14.1 | 14.1 | 14.1 | 14.1 | 14.1 | 6   |     |
| 7     | -    | 10.2            | 10.6 | 11.0 | 10.8 | 10.6 | 11.2 | 11.0  | 10.8 | 11.4 | 11.2 | 11.2 | 11.2 | 11.2 | 11.2 | 11.2 | 11.2 | 11.2 | 7   |     |
| 8     | -    | -               | 8.4  | 8.7  | 8.5  | 8.4  | 9.0  | 8.8   | 8.6  | 9.1  | 8.9  | 8.9  | 8.9  | 8.9  | 8.9  | 8.9  | 8.9  | 8.9  | 8   |     |
| 9     | -    | -               | -    | 7.2  | 7.0  | 6.8  | 7.4  | 7.2   | 7.1  | 7.5  | 7.4  | 7.4  | 7.4  | 7.4  | 7.4  | 7.4  | 7.4  | 7.4  | 9   |     |
| 10    | -    | -               | -    | -    | 5.8  | 5.7  | 6.2  | 6.0   | 5.9  | 6.3  | 6.2  | 6.2  | 6.2  | 6.2  | 6.2  | 6.2  | 6.2  | 6.2  | 10  |     |
| 12    | -    | -               | -    | -    | -    | -    | 4.6  | 4.4   | 4.3  | 4.7  | 4.5  | 4.5  | 4.5  | 4.5  | 4.5  | 4.5  | 4.5  | 4.5  | 12  |     |
| 14    | -    | -               | -    | -    | -    | -    | -    | -     | -    | 3.3  | 3.2  | 3.2  | 3.2  | 3.2  | 3.2  | 3.2  | 3.2  | 3.2  | 14  |     |
| 16    | -    | -               | -    | -    | -    | -    | -    | -     | -    | -    | 2.8  | 2.7  | 2.7  | 2.7  | 2.7  | 2.7  | 2.7  | 2.7  | 16  |     |
| 1)    | 14.2 | 10.2            | 8.1  | 6.6  | 5.3  | 4.2  | 4.0  | 3.3   | 2.7  | 2.2  | 2.2  | 2.2  | 2.2  | 2.2  | 2.2  | 2.2  | 2.2  | 2.2  | 1)  |     |





SCAN ME

## 50 TONNE CITY CRANE (LIEBHERR LTC 1050-3.1)



# LIEBHERR LTC 1050-3.1

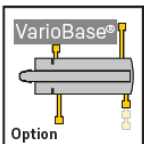
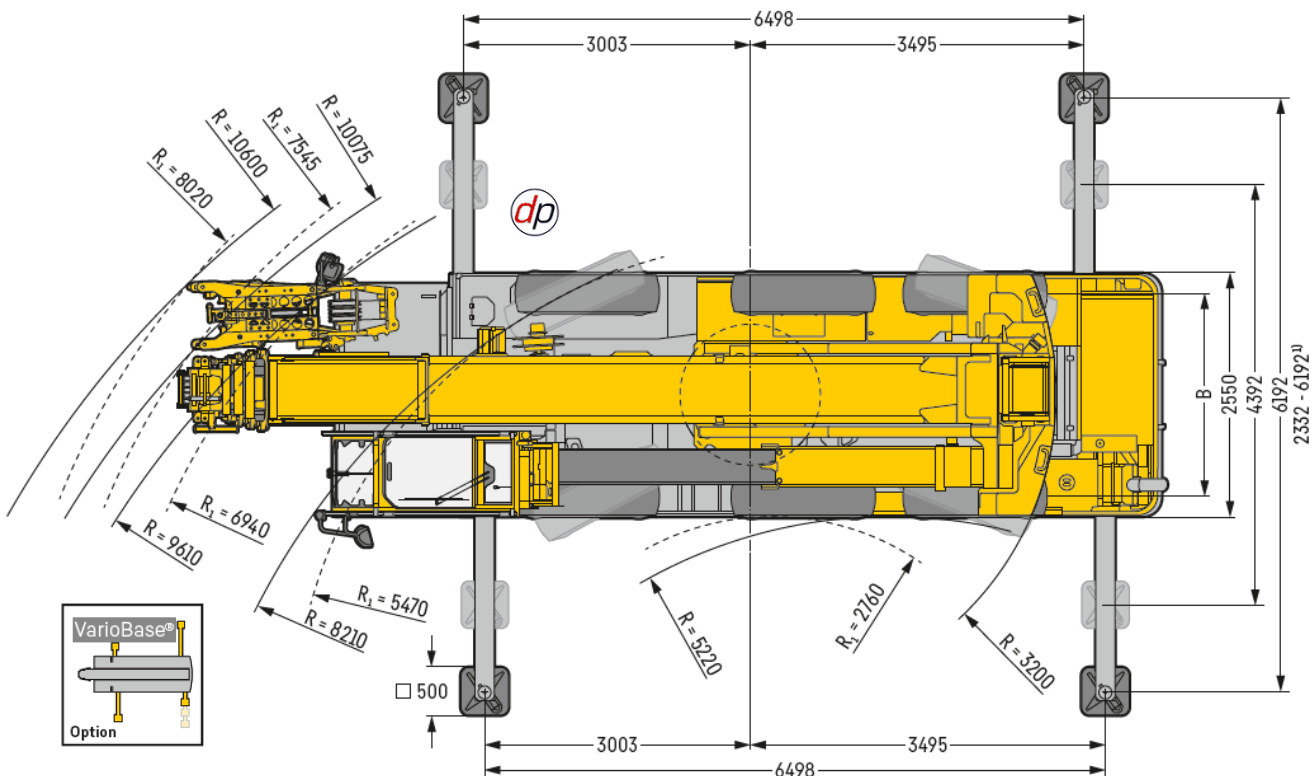
**NEED ADVICE?**

We have experienced staff who can help you. We can visit your site to discuss your needs.  
**+44 (0) 1902 405553**

• Dimensions

| ⊙                        | A    | A<br>100 mm* | B    | C    | D    | E    | F   | G   | H   | I   | K   |
|--------------------------|------|--------------|------|------|------|------|-----|-----|-----|-----|-----|
| 385/95 R 25 (14.00 R 25) | 3830 | 3730         | 2160 | 3185 | 2918 | 1570 | 13° | 8°  | 13° | 10° | 352 |
| 445/95 R 25 (16.00 R 25) | 3880 | 3780         | 2100 | 3235 | 2968 | 1620 | 15° | 10° | 15° | 12° | 402 |

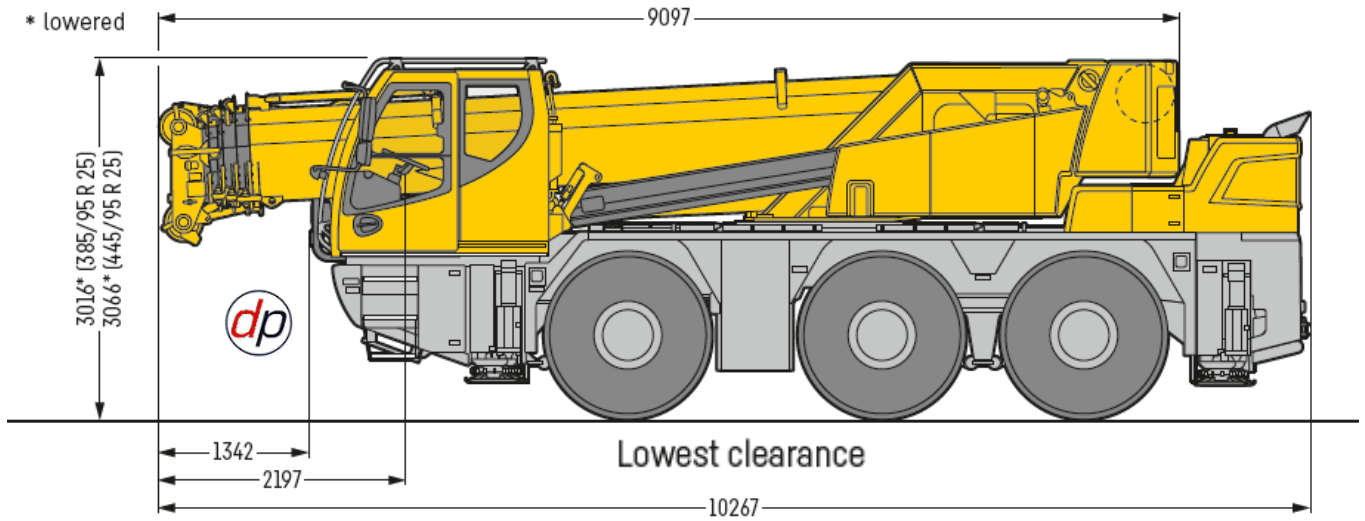
\* lowered





SCAN ME

**50 TONNE CITY CRANE (LIEBHERR LTC 1050-3.1)**



**LIEBHERR**  
**LTC 1050-3.1**

**NEED ADVICE?**

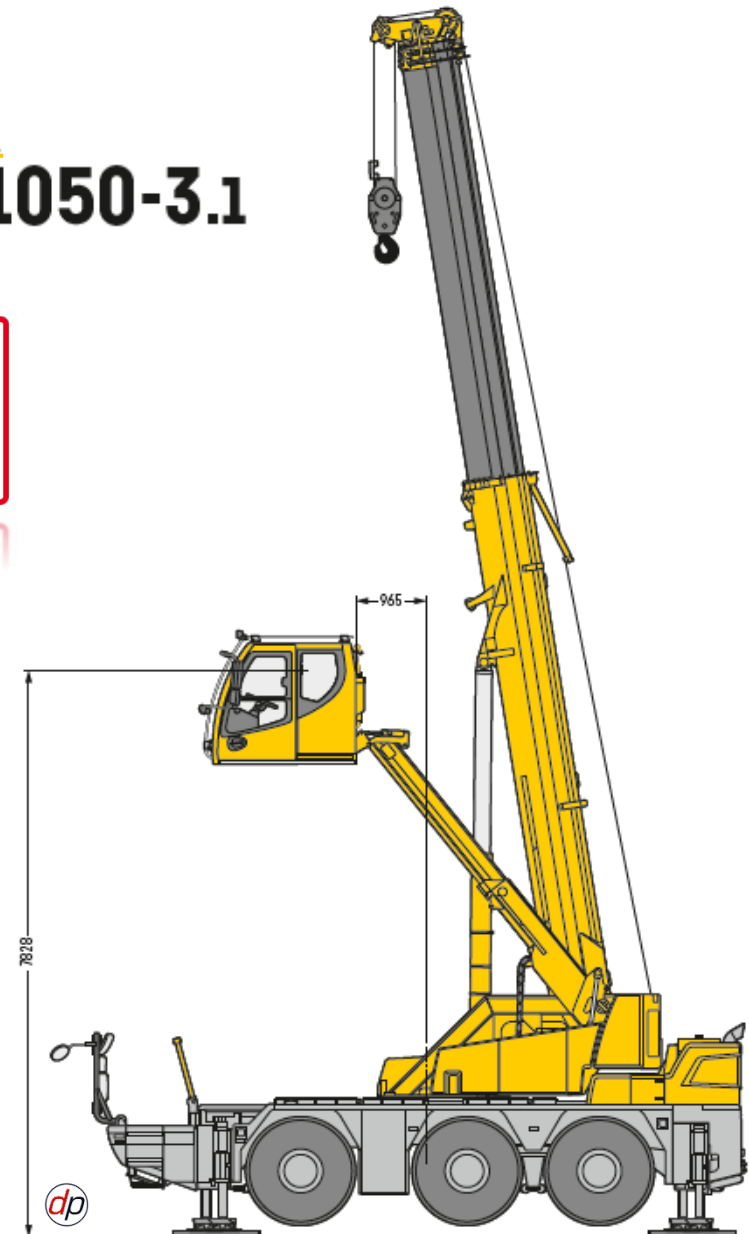
We have experienced staff who can help you. We can visit your site to discuss your needs.

**+44 (0) 1902 405553**



+44 (0) 1902 405553

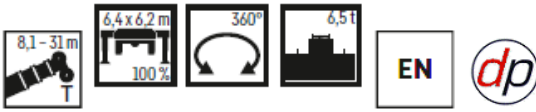
The new telescoping crane cab allows our operator excellent visibility during difficult or restricted lifts where normal direct visibility is not achievable. This increases safety and helps visual awareness for both lifting team and operator who can see each other and the load at all time.





SCAN ME

## 50 TONNE CITY CRANE (LIEBHERR LTC 1050-3.1)



|      | 8,1 m | 10,4m | 12,1m | 13,9 m | 16,7 m | 20,1 m | 23,6 m | 26,4 m | 28,7 m | 31 m |      |
|------|-------|-------|-------|--------|--------|--------|--------|--------|--------|------|------|
| 3    | 45,1  | 27,3  | 27,3  | 27,3   | 16,2   | 16,4   | 16,9   |        |        |      | 3    |
| 3,5  | 42    | 27,3  | 27,3  | 27,3   | 16,2   | 16,2   | 16,6   | 16,9   |        |      | 3,5  |
| 4    | 38,3  | 27,3  | 27,3  | 27,3   | 16,2   | 16,2   | 16,3   | 16,6   | 16,7   |      | 4    |
| 4,5  | 34,2  | 27,3  | 27,3  | 27,3   | 16,2   | 16,2   | 16,2   | 16,3   | 16,5   | 13,8 | 4,5  |
| 5    | 30,5  | 27,3  | 27,3  | 27,3   | 16,2   | 16,2   | 16,2   | 16,2   | 16,3   | 13,8 | 5    |
| 5,5  | 26,3  | 26,9  | 26,8  | 26,4   | 16,2   | 16,2   | 16,2   | 16,2   | 16,2   | 13,8 | 5,5  |
| 6    |       | 24,3  | 24,1  | 23,9   | 16,2   | 16,2   | 16,2   | 16,2   | 16,2   | 13,8 | 6    |
| 7    |       | 19,6  | 19,3  | 19,1   | 16,2   | 16,2   | 16,2   | 16,2   | 16,1   | 13,6 | 7    |
| 8    |       | 15,7  | 16,2  | 16,2   | 16,2   | 16     | 15,9   | 14,9   | 14,3   | 13,2 | 8    |
| 9    |       |       | 13,6  | 13,6   | 14,1   | 14,1   | 13,7   | 13     | 12,4   | 11,9 | 9    |
| 10   |       |       |       | 11,4   | 11,6   | 11,8   | 11,8   | 11,3   | 10,8   | 10,3 | 10   |
| 11   |       |       |       | 9,8    | 10     | 10,1   | 10     | 9,8    | 9,5    | 9,1  | 11   |
| 12   |       |       |       |        | 8,3    | 8,4    | 8,4    | 8,3    | 8      | 7,8  | 12   |
| 13   |       |       |       |        | 7,3    | 7,4    | 7,4    | 7,3    | 7,1    | 6,9  | 13   |
| 14   |       |       |       |        | 6,5    | 6,6    | 6,6    | 6,5    | 6,2    | 6,1  | 14   |
| 15   |       |       |       |        |        | 5,9    | 5,9    | 5,8    | 5,6    | 5,4  | 15   |
| 16   |       |       |       |        |        | 5,3    | 5,3    | 5,2    | 5      | 4,7  | 16   |
| 17   |       |       |       |        |        | 4,8    | 4,6    | 4,5    | 4,2    | 4    | 17   |
| 18   |       |       |       |        |        |        | 4,1    | 4      | 3,8    | 3,7  | 18   |
| 19   |       |       |       |        |        |        | 3,8    | 3,6    | 3,5    | 3,3  | 19   |
| 20   |       |       |       |        |        |        | 3,5    | 3,3    | 3,2    | 3    | 20   |
| 21   |       |       |       |        |        |        | 3,2    | 3,1    | 2,9    | 2,7  | 21   |
| 22   |       |       |       |        |        |        |        | 2,8    | 2,6    | 2,5  | 22   |
| 23   |       |       |       |        |        |        |        | 2,6    | 2,4    | 2,3  | 23   |
| 24   |       |       |       |        |        |        |        | 2,5    | 2,2    | 2,1  | 24   |
| 25   |       |       |       |        |        |        |        |        | 2,1    | 1,9  | 25   |
| 26   |       |       |       |        |        |        |        |        | 1,9    | 1,8  | 26   |
| 27   |       |       |       |        |        |        |        |        |        | 1,6  | 27   |
| 28   |       |       |       |        |        |        |        |        |        | 1,5  | 28   |
| 28,5 |       |       |       |        |        |        |        |        |        | 1,4  | 28,5 |
| 0°   | 13,8  | 10,3  | 8,2   | 7      | 5,6    | 4,1    | 3,2    | 2,5    | 1,9    | 1,4  | 0°   |



**dp**  
**LIEBHERR**  
**LTC 1050-3.1**

**NEED ADVICE?**  
We have experienced staff who can help you. We can visit your site to discuss your needs.  
**+44 (0) 1902 405553**

+44 (0) 1902 405553

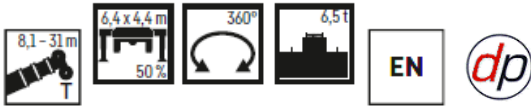






SCAN ME

**50 TONNE CITY CRANE (LIEBHERR LTC 1050-3.1)**



|     | 8,1 m | 10,4 m | 12,1 m | 13,9 m | 16,7 m | 20,1 m | 23,6 m | 26,4 m | 28,7 m | 31 m |     |
|-----|-------|--------|--------|--------|--------|--------|--------|--------|--------|------|-----|
| 3   | 41,1  | 27,3   | 27,3   | 27,3   | 16,2   | 16,4   | 16,9   |        |        |      | 3   |
| 3,5 | 36,5  | 27,3   | 27,3   | 27,3   | 16,2   | 16,2   | 16,6   | 16,9   |        |      | 3,5 |
| 4   | 31,6  | 27,3   | 27,3   | 26,9   | 16,2   | 16,2   | 16,3   | 16,6   | 16,7   |      | 4   |
| 4,5 | 27,7  | 25,5   | 23,9   | 22,5   | 16,2   | 16,2   | 16,2   | 16,3   | 16,5   | 13,8 | 4,5 |
| 5   | 23,9  | 21,7   | 20,3   | 19,2   | 16,2   | 16,2   | 16,2   | 16,2   | 15,9   | 13,8 | 5   |
| 5,5 | 19,8  | 18,7   | 17,6   | 16,7   | 16,2   | 15,9   | 15,8   | 15,3   | 14,5   | 13,5 | 5,5 |
| 6   |       | 16,2   | 16,2   | 16,2   | 15,7   | 15,2   | 14,5   | 13,8   | 13,1   | 12,4 | 6   |
| 7   |       | 12,6   | 12,8   | 12,9   | 13     | 12,5   | 12     | 11,4   | 10,8   | 10,3 | 7   |
| 8   |       | 10,1   | 10,2   | 10,4   | 10,6   | 10,5   | 10,2   | 9,7    | 9,2    | 8,7  | 8   |
| 9   |       |        | 8,1    | 8,2    | 8,4    | 8,5    | 8,6    | 8,3    | 7,9    | 7,5  | 9   |
| 10  |       |        |        | 6,9    | 7,1    | 7,2    | 7,3    | 7,1    | 6,8    | 6,5  | 10  |
| 11  |       |        |        | 5,9    | 6,1    | 6,2    | 6,3    | 6,1    | 5,9    | 5,6  | 11  |
| 12  |       |        |        |        | 5,3    | 5,4    | 5,5    | 5,3    | 5      | 4,9  | 12  |
| 13  |       |        |        |        | 4,4    | 4,5    | 4,7    | 4,4    | 4,2    | 4    | 13  |
| 14  |       |        |        |        | 3,9    | 4      | 4      | 3,9    | 3,7    | 3,5  | 14  |
| 15  |       |        |        |        |        | 3,5    | 3,5    | 3,4    | 3,2    | 3,1  | 15  |
| 16  |       |        |        |        |        | 3,2    | 3,2    | 3,1    | 2,9    | 2,7  | 16  |
| 17  |       |        |        |        |        | 2,8    | 2,9    | 2,8    | 2,6    | 2,4  | 17  |
| 18  |       |        |        |        |        |        | 2,6    | 2,5    | 2,3    | 2,2  | 18  |
| 19  |       |        |        |        |        |        | 2,3    | 2,2    | 2,1    | 1,9  | 19  |
| 20  |       |        |        |        |        |        | 2,1    | 2      | 1,9    | 1,7  | 20  |
| 21  |       |        |        |        |        |        | 2      | 1,8    | 1,7    | 1,5  | 21  |
| 22  |       |        |        |        |        |        |        | 1,7    | 1,5    | 1,4  | 22  |
| 23  |       |        |        |        |        |        |        | 1,5    | 1,3    | 1,2  | 23  |
| 24  |       |        |        |        |        |        |        | 1,4    | 1,2    | 1,1  | 24  |
| 25  |       |        |        |        |        |        |        |        | 1,1    | 0,9  | 25  |
| 26  |       |        |        |        |        |        |        |        | 1      | 0,8  | 26  |
| 0°  | 13,8  | 10     | 7,1    | 5,5    | 3,8    | 2,7    | 1,9    | 1,4    | 1      | 0,5  | 0°  |

**LIEBHERR**  
**LTC 1050-3.1**

**NEED ADVICE?**  
We have experienced staff who can help you. We can visit your site to discuss your needs.  
**+44 (0) 1902 405553**



+44 (0) 1902 405553

|     | 8,1 m | 10,4 m | 12,1 m | 13,9 m | 16,7 m | 20,1 m | 23,6 m | 26,4 m | 28,7 m | 31 m |     |
|-----|-------|--------|--------|--------|--------|--------|--------|--------|--------|------|-----|
| 3   | 21    | 18,7   | 17,4   | 16,2   |        |        |        |        |        |      | 3   |
| 3,5 | 17,1  | 16     | 15,4   | 14,6   | 13,6   |        |        |        |        |      | 3,5 |
| 4   | 14,3  | 13,6   | 13,3   | 13     | 12,1   | 11,1   |        |        |        |      | 4   |
| 4,5 | 11,9  | 11,7   | 11,5   | 11,2   | 10,5   | 10,1   |        |        |        |      | 4,5 |
| 5   | 10    | 10,2   | 10     | 9,9    | 9,7    | 8,9    | 8,2    |        |        |      | 5   |
| 5,5 | 8,3   | 8,4    | 8,6    | 8,7    | 8,6    | 8,3    | 7,6    | 7      |        |      | 5,5 |
| 6   |       | 7,3    | 7,5    | 7,6    | 7,7    | 7,5    | 7,2    | 6,5    |        |      | 6   |
| 7   |       | 5,7    | 5,9    | 6      | 6,2    | 6,1    | 5,9    | 5,6    | 5,2    | 4,8  | 7   |
| 8   |       | 4,3    | 4,6    | 4,7    | 5      | 5,1    | 5      | 4,7    | 4,3    | 4    | 8   |
| 9   |       |        | 3,6    | 3,7    | 3,9    | 4      | 4,1    | 3,9    | 3,6    | 3,3  | 9   |
| 10  |       |        |        | 3,1    | 3,3    | 3,4    | 3,4    | 3,3    | 3,1    | 2,8  | 10  |
| 11  |       |        |        | 2,6    | 2,8    | 2,9    | 2,9    | 2,8    | 2,6    | 2,3  | 11  |
| 12  |       |        |        |        | 2,4    | 2,5    | 2,5    | 2,4    | 2,2    | 2    | 12  |
| 13  |       |        |        |        | 2      | 2,1    | 2,1    | 2,1    | 1,9    | 1,6  | 13  |
| 14  |       |        |        |        | 1,8    | 1,8    | 1,8    | 1,8    | 1,6    | 1,3  | 14  |
| 15  |       |        |        |        |        | 1,6    | 1,6    | 1,5    | 1,3    | 1,1  | 15  |
| 16  |       |        |        |        |        | 1,4    | 1,4    | 1,3    | 1,1    |      | 16  |
| 17  |       |        |        |        |        | 1,1    | 1,2    | 1,1    | 0,8    |      | 17  |
| 18  |       |        |        |        |        |        | 1      | 0,9    |        |      | 18  |
| 19  |       |        |        |        |        |        | 0,8    |        |        |      | 19  |
| 0°  | 7,6   | 4,2    | 3,1    | 2,4    | 1,7    | 1      | 0,5    | -      | -      | -    | 0°  |



SCAN ME

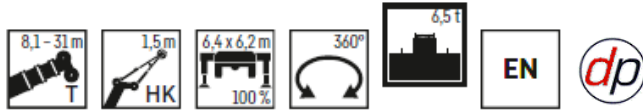
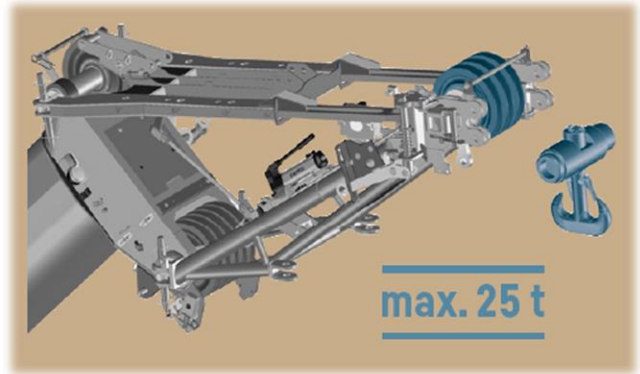
## 50 TONNE CITY CRANE (LIEBHERR LTC 1050-3.1)

**NEED ADVICE?**

We have experienced staff who can help you. We can visit your site to discuss your needs.

+44 (0) 1902 405553

# LIEBHERR LTC 1050-3.1



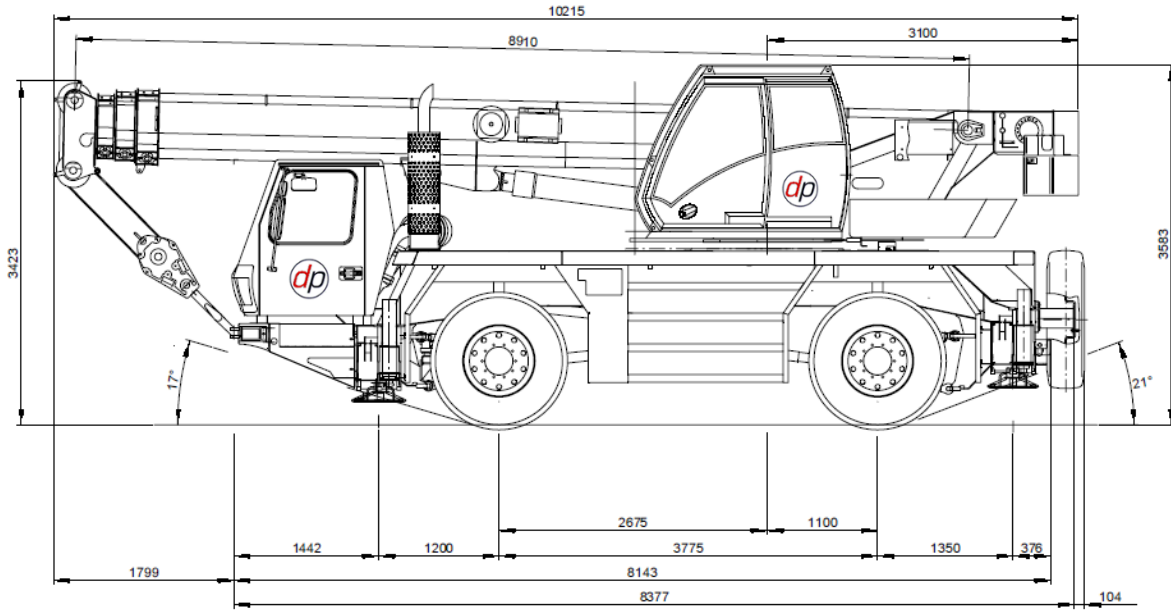
|     | 8,1 m |      |      |      | 10,4 m |      |      |      | 12,1 m |      |      |      | 13,9 m |      |      |      | 16,7 m |      |      |      |      |    |    |
|-----|-------|------|------|------|--------|------|------|------|--------|------|------|------|--------|------|------|------|--------|------|------|------|------|----|----|
|     | 0°    | 20°  | 40°  | 60°  | 0°     | 20°  | 40°  | 60°  | 0°     | 20°  | 40°  | 60°  | 0°     | 20°  | 40°  | 60°  | 0°     | 20°  | 40°  | 60°  |      |    |    |
| 3   |       |      | 21,8 | 16,8 |        |      | 22,6 | 17,1 |        |      | 22,9 | 17,2 |        |      | 23   | 17,3 |        |      | 16   | 3    |      |    |    |
| 3,5 |       | 25   | 21,4 | 16,6 |        |      | 22,1 | 16,9 |        |      | 22,4 | 17   |        |      | 22,6 | 17,1 |        |      | 15,8 | 15,8 | 3,5  |    |    |
| 4   |       | 25   | 21   | 16,5 |        |      | 21,7 | 16,7 |        |      | 22   | 16,8 |        |      | 22,2 | 16,9 |        |      | 15,7 | 15,8 | 4    |    |    |
| 4,5 |       | 25   | 20,7 | 16,4 |        | 25   | 21,2 | 16,5 |        |      | 21,6 | 16,6 |        |      | 21,8 | 16,7 |        |      | 15,7 | 15,8 | 4,5  |    |    |
| 5   |       | 24,6 | 20,4 | 16,4 |        | 25   | 20,9 | 16,4 |        |      | 21,2 | 16,5 |        |      | 21,4 | 16,5 |        |      | 15,7 | 15,8 | 5    |    |    |
| 6   | 24,6  | 23,7 | 20,2 | 16,3 |        | 24,2 | 20,3 | 16,3 |        | 23,9 | 20,6 | 16,3 |        |      | 20,8 | 16,3 |        |      | 15,7 | 15,8 | 6    |    |    |
| 7   | 18,3  | 20,2 | 20,1 | 16,1 | 20     | 19,7 | 19,6 | 16,3 |        | 19,4 | 19,6 | 16,2 |        | 19,1 | 19,3 | 16,1 |        |      | 15,7 | 15,8 | 7    |    |    |
| 8   |       |      |      |      | 16,5   | 16,7 | 16,3 | 16,2 |        | 16,8 | 16   | 16,1 |        | 16,8 | 15,7 | 15,9 |        | 16,6 | 15,7 | 15,8 | 8    |    |    |
| 9   |       |      |      |      | 13,3   | 13,4 | 13,5 | 13,5 | 13,3   | 13,6 | 13,6 | 13,8 |        | 13,6 | 13,8 | 13,8 |        |      | 13,8 | 13,9 | 14   | 9  |    |
| 10  |       |      |      |      |        |      |      |      | 11,2   | 11,3 | 11,4 | 11,4 | 11,1   | 11,3 | 11,4 | 11,5 |        |      | 11,4 | 11,5 | 11,6 | 10 |    |
| 11  |       |      |      |      |        |      |      |      | 9,6    | 9,6  | 9,7  | 9,7  | 9,3    | 9,3  | 9,7  | 9,8  |        |      | 9,5  | 9,8  | 9,9  | 11 |    |
| 12  |       |      |      |      |        |      |      |      |        |      |      |      | 7,9    | 7,9  | 8    | 8    | 7,9    | 8    | 8,1  | 8,2  | 12   | 12 |    |
| 13  |       |      |      |      |        |      |      |      |        |      |      |      |        | 7    | 7    | 6,7  |        | 7    | 7    | 7,1  | 7,2  | 13 | 13 |
| 14  |       |      |      |      |        |      |      |      |        |      |      |      |        |      |      |      | 6,2    | 6,2  | 6,3  | 6,3  | 14   | 14 |    |
| 15  |       |      |      |      |        |      |      |      |        |      |      |      |        |      |      |      | 5,5    | 5,6  | 5,6  | 5,6  | 15   | 15 |    |
| 16  |       |      |      |      |        |      |      |      |        |      |      |      |        |      |      |      |        | 5,1  | 5,1  |      |      | 16 | 16 |

|     | 20,1 m |      |      |      | 23,6 m |     |      |      | 26,4 m |     |      |      | 28,7 m |     |      |      | 31 m |     |     |      |      |     |
|-----|--------|------|------|------|--------|-----|------|------|--------|-----|------|------|--------|-----|------|------|------|-----|-----|------|------|-----|
|     | 0°     | 20°  | 40°  | 60°  | 0°     | 20° | 40°  | 60°  | 0°     | 20° | 40°  | 60°  | 0°     | 20° | 40°  | 60°  | 0°   | 20° | 40° | 60°  |      |     |
| 4   |        |      |      | 15,9 |        |     |      |      |        |     |      |      |        |     |      |      |      |     |     |      |      | 4   |
| 4,5 |        |      |      | 15,8 |        |     |      |      |        |     |      |      |        |     |      |      |      |     |     |      |      | 4,5 |
| 5   |        |      | 15,7 | 15,8 |        |     |      | 15,8 |        |     |      |      |        |     |      |      |      |     |     |      |      | 5   |
| 6   |        |      | 15,7 | 15,8 |        |     | 15,7 | 15,8 |        |     |      | 15,3 |        |     |      |      |      |     |     |      |      | 6   |
| 7   |        |      | 15,7 | 15,8 |        |     | 15,7 | 15,7 |        |     | 15,7 | 15,1 |        |     |      |      |      |     |     |      |      | 7   |
| 8   |        |      | 15,6 | 15,7 |        |     | 15,2 | 15   |        |     | 14,5 | 14,5 |        |     | 13,8 | 13,9 |      |     |     |      | 11,1 | 8   |
| 9   |        |      | 13,7 | 13,8 |        |     | 13,1 | 13,3 |        |     | 12,4 | 12,5 |        |     | 11,7 | 11,9 |      |     | 11  | 10,8 |      | 9   |
| 10  |        | 11,6 | 11,7 | 11,8 |        |     | 11,4 | 11,5 |        |     | 10,8 | 10,8 |        |     | 10,4 | 10,4 |      |     | 9,9 | 10,1 |      | 10  |
| 11  |        | 9,8  | 9,8  | 10,1 |        |     | 9,9  | 10   |        |     | 9,5  | 9,5  |        |     | 9,1  | 9,2  |      |     | 8,7 | 8,8  |      | 11  |
| 12  |        | 8,1  | 8,2  | 8,3  |        | 8,2 | 8,2  | 8,3  |        |     | 8,1  | 8,2  |        |     | 7,9  | 8    |      |     | 7,6 | 7,7  |      | 12  |
| 13  |        | 7,1  | 7,2  | 7,3  |        | 7,1 | 7,2  | 7,3  |        |     | 7,1  | 7,2  |        |     | 6,9  | 7    |      |     | 6,6 | 6,8  |      | 13  |
| 14  |        | 6,3  | 6,4  | 6,4  |        | 6,3 | 6,4  | 6,4  |        | 6,2 | 6,3  | 6,3  |        |     | 6    | 6,1  |      |     | 5,8 | 5,9  |      | 14  |
| 15  | 5,6    | 5,6  | 5,7  | 5,7  |        | 5,6 | 5,7  | 5,7  |        | 5,5 | 5,5  | 5,6  |        | 5,3 | 5,4  | 5,4  |      |     | 5,1 | 5,2  |      | 15  |
| 16  | 5      | 5    | 5,1  | 5,1  |        | 5   | 5    | 5,1  |        | 4,9 | 4,9  | 5    |        | 4,4 | 4,6  | 4,8  |      |     | 4,3 | 4,4  |      | 16  |
| 17  | 4,2    | 4,3  | 4,3  | 4,3  |        | 4,3 | 4,3  | 4,3  |        | 4,2 | 4,2  | 4,2  |        | 4   | 4    | 4    |      | 3,8 | 3,8 | 3,9  |      | 17  |
| 18  | 3,8    | 3,9  | 3,9  | 3,9  | 3,8    | 3,9 | 3,9  | 3,9  |        | 3,8 | 3,8  | 3,8  |        | 3,6 | 3,6  | 3,6  |      | 3,4 | 3,4 | 3,5  |      | 18  |
| 19  | 3,5    | 3,5  | 3,5  | 3,5  | 3,5    | 3,5 | 3,5  | 3,5  |        | 3,4 | 3,4  | 3,5  |        | 3,2 | 3,2  | 3,3  |      | 3   | 3,1 | 3,1  |      | 19  |
| 20  |        |      |      |      | 3,2    | 3,2 | 3,2  | 3,2  |        | 3,1 | 3,1  | 3,1  |        | 2,9 | 2,9  | 3    |      | 2,7 | 2,8 | 2,8  |      | 20  |
| 21  |        |      |      |      | 2,9    | 2,9 | 2,9  | 2,9  | 2,8    | 2,8 | 2,8  | 2,9  |        | 2,6 | 2,7  | 2,7  |      | 2,5 | 2,5 | 2,5  |      | 21  |
| 22  |        |      |      |      | 2,7    | 2,7 | 2,7  | 2,7  | 2,5    | 2,6 | 2,6  | 2,6  | 2,3    | 2,4 | 2,4  | 2,4  |      | 2,2 | 2,2 | 2,3  |      | 22  |
| 23  |        |      |      |      |        |     |      |      | 2,3    | 2,4 | 2,4  | 2,4  | 2,1    | 2,2 | 2,2  | 2,2  |      | 2   | 2   | 2,1  |      | 23  |
| 24  |        |      |      |      |        |     |      |      | 2,1    | 2,2 | 2,2  | 2,2  | 1,9    | 2   | 2    | 2    |      | 1,8 | 1,8 | 1,8  |      | 24  |
| 25  |        |      |      |      |        |     |      |      | 2      | 2   | 2    | 2    | 1,8    | 1,8 | 1,8  | 1,8  | 1,6  | 1,6 | 1,7 | 1,7  |      | 25  |
| 26  |        |      |      |      |        |     |      |      |        |     |      |      | 1,6    | 1,6 | 1,7  | 1,7  | 1,4  | 1,5 | 1,5 | 1,5  |      | 26  |
| 27  |        |      |      |      |        |     |      |      |        |     |      |      | 1,5    | 1,5 | 1,5  | 1,5  | 1,3  | 1,3 | 1,3 | 1,4  |      | 27  |
| 28  |        |      |      |      |        |     |      |      |        |     |      |      |        |     |      |      | 1,2  | 1,2 | 1,2 | 1,2  |      | 28  |
| 29  |        |      |      |      |        |     |      |      |        |     |      |      |        |     |      |      | 1    | 1,1 | 1,1 | 1,1  |      | 29  |
| 30  |        |      |      |      |        |     |      |      |        |     |      |      |        |     |      |      | 0,9  | 0,9 | 0,9 | 0,9  |      | 30  |



SCAN ME

## 35 TONNE ALL TERRAIN CRANE - (GROVE GMK 2035E)



**Grove**  
GMK2035E  
**Manitowoc**

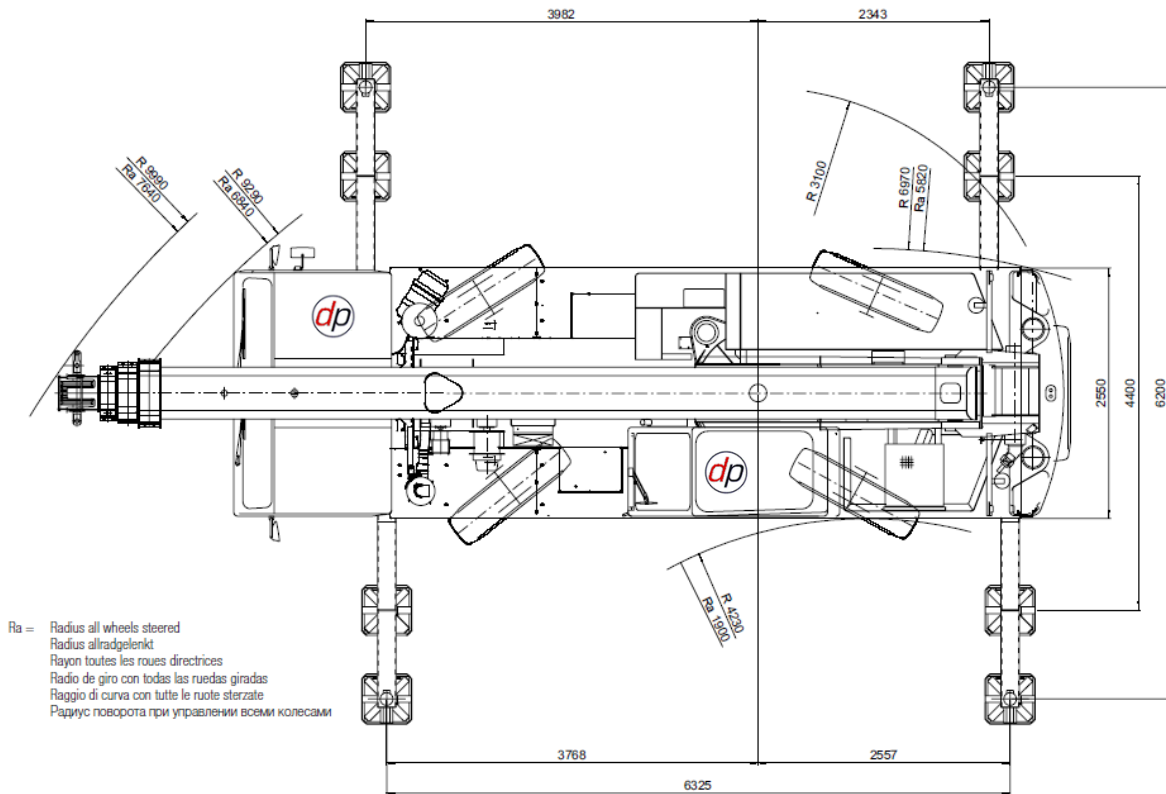


**NEED ADVICE?**

We have experienced staff who can help you. We can visit your site to discuss your needs.

**+44 (0) 1902 405553**

+44 (0) 1902 405553



Ra = Radius all wheels steered  
Radius allradgelenkt  
Rayon toutes les roues directrices  
Radio de giro con todas las ruedas giradas  
Raggio di curva con tutte le ruote sterzate  
Радиус поворота при управлении всеми колесами



SCAN ME

## 35 TONNE ALL TERRAIN CRANE - (GROVE GMK 2035E)

|      |              |      |       |      |      |      |      |          |
|------|--------------|------|-------|------|------|------|------|----------|
|      | 8,9 – 29,0 m |      | 6,2 m |      | 360° |      | 6 t  |          |
|      |              |      |       |      |      |      |      | EN 13000 |
| m    | 8,9          | 12,3 | 15,6  | 19,0 | 22,4 | 25,7 | 29,0 |          |
| 2,5  | 40,0*        |      |       |      |      |      |      |          |
| 3,0  | 35,0*/31,0   | 25,0 | 20,0  | 15,0 | 13,0 |      |      |          |
| 4,0  | 26,0         | 23,5 | 20,0  | 15,0 | 13,0 | 10,5 |      |          |
| 5,0  | 20,5         | 20,0 | 17,8  | 15,0 | 13,0 | 10,5 | 8,0  |          |
| 6,0  | 16,6         | 16,4 | 15,7  | 14,3 | 12,5 | 10,5 | 8,0  |          |
| 7,0  |              | 14,2 | 13,2  | 12,7 | 11,5 | 9,9  | 7,8  |          |
| 8,0  |              | 11,7 | 11,3  | 10,7 | 10,4 | 9,2  | 7,6  |          |
| 9,0  |              | 9,6  | 9,2   | 9,0  | 8,9  | 8,5  | 7,4  |          |
| 10,0 |              | 8,0  | 7,7   | 8,1  | 7,7  | 7,6  | 7,1  |          |
| 11,0 |              |      | 6,5   | 7,2  | 6,6  | 6,7  | 6,6  |          |
| 12,0 |              |      | 6,0   | 6,3  | 5,7  | 5,8  | 5,8  |          |
| 13,0 |              |      | 5,4   | 5,5  | 5,3  | 5,1  | 5,2  |          |
| 14,0 |              |      |       | 4,9  | 4,9  | 4,4  | 4,6  |          |
| 15,0 |              |      |       | 4,4  | 4,5  | 3,9  | 4,0  |          |
| 16,0 |              |      |       | 3,9  | 4,0  | 3,5  | 3,6  |          |
| 18,0 |              |      |       |      | 3,3  | 2,7  | 2,9  |          |
| 20,0 |              |      |       |      | 2,7  | 2,4  | 2,3  |          |
| 22,0 |              |      |       |      |      | 2,0  | 1,9  |          |
| 24,0 |              |      |       |      |      |      | 1,5  |          |
| 26,0 |              |      |       |      |      |      | 1,2  |          |

\*Over rear, \*Nach hinten, \*En arrière, \*Por la porta trasera, \*Sul posteriore, \*Над задней частью



**NEED ADVICE?**  
We have experienced staff who can help you. We can visit your site to discuss your needs.  
**+44 (0) 1902 405553**

**dp**  
**Grove**  
**GMK2035E**

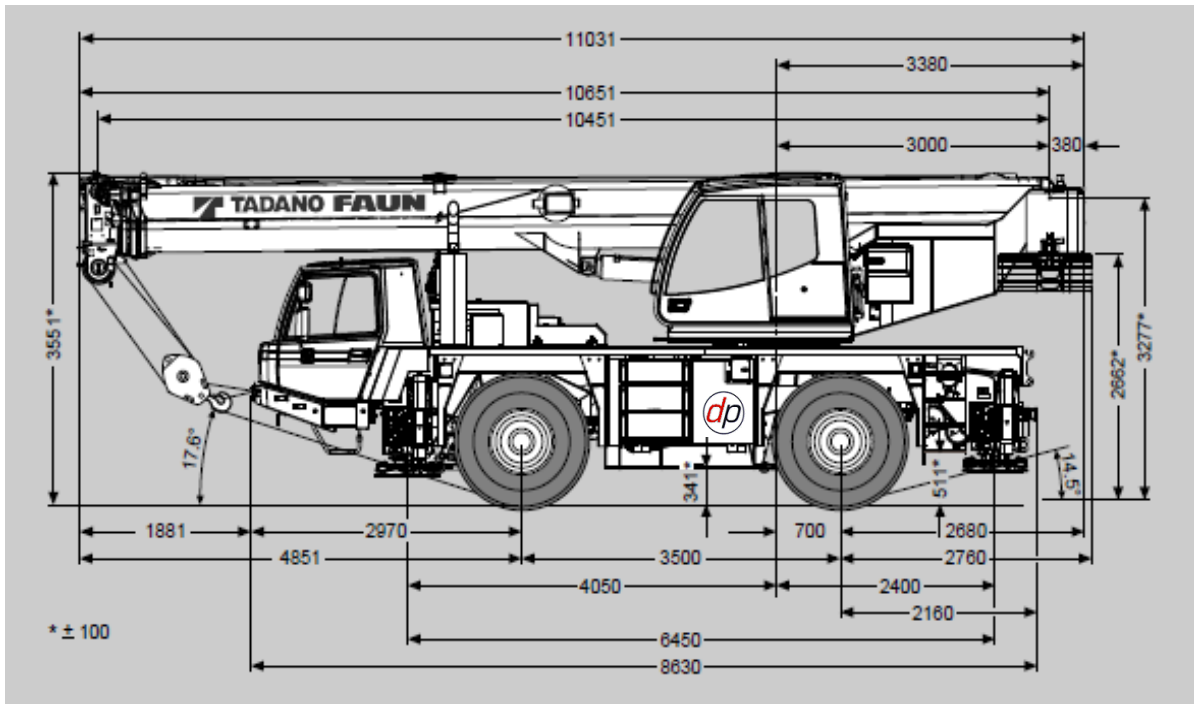






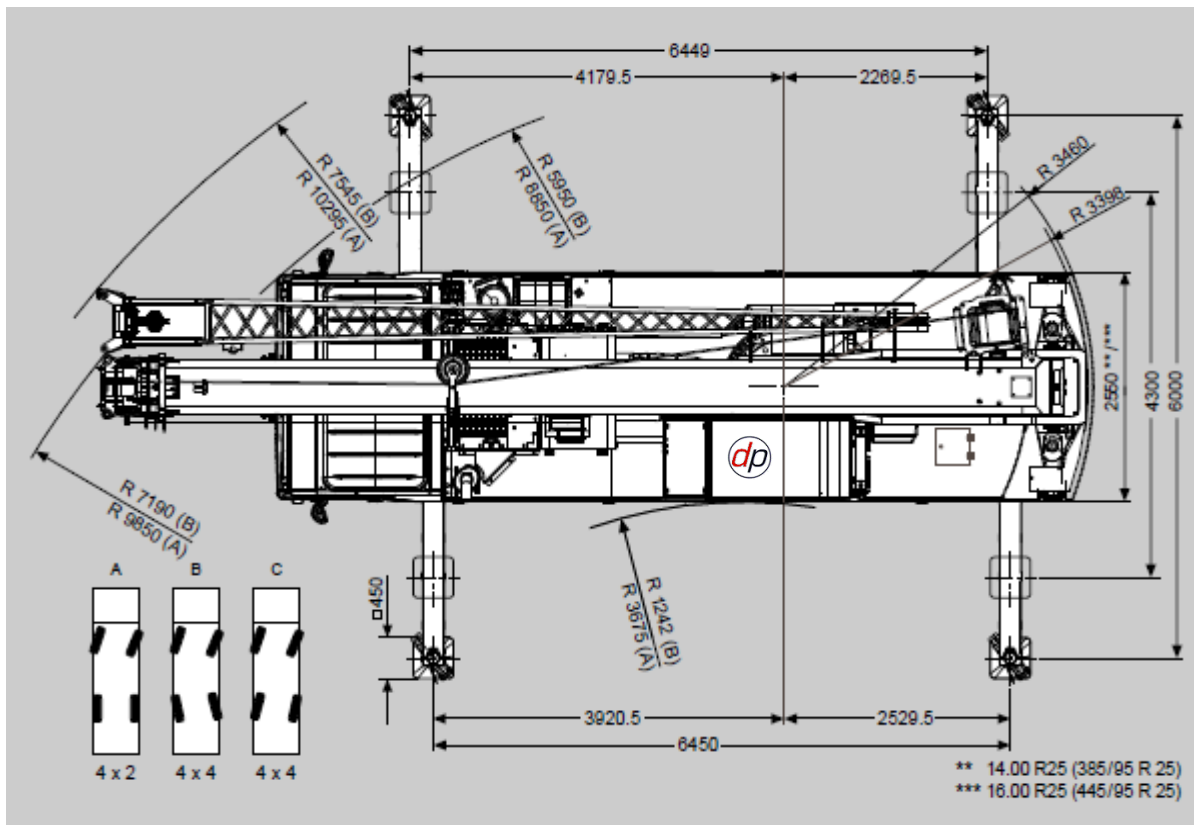
SCAN ME

## 40 TONNE ALL TERRAIN CRANE – (TADANO FAUN ATF 40G-2)



**TADANO FAUN**  
 ATF 40G-2

**NEED ADVICE?**  
 We have experienced staff who can help you. We can visit your site to discuss your needs.  
 +44 (0) 1902 405553





SCAN ME

## 40 TONNE ALL TERRAIN CRANE – (TADANO FAUN ATF 40G-2)

|      |     | DIN / ISO / EN |        |        |        |        |        |        |        |
|------|-----|----------------|--------|--------|--------|--------|--------|--------|--------|
|      |     |                |        |        |        |        |        |        |        |
| ↙ m  | ↘ m | 10.5 m*        | 10.5 m | 15.4 m | 20.4 m | 25.3 m | 30.3 m | 32.7 m | 35.2 m |
| 2.5  |     | 40.0**         |        |        |        |        |        |        |        |
| 3.0  |     | 36.6**         |        |        |        |        |        |        |        |
| 3.5  |     | 33.9**         | 29.0   | 20.0   | 20.0   | 15.1   |        |        |        |
| 4.0  |     | 30.6           | 26.4   | 20.0   | 20.0   | 15.1   |        |        |        |
| 4.5  |     | 27.0           | 24.2   | 20.0   | 20.0   | 15.1   | 10.3   |        |        |
| 5.0  |     | 24.1           | 22.2   | 20.0   | 20.0   | 14.8   | 10.3   |        |        |
| 6.0  |     | 19.6           | 18.6   | 18.8   | 18.8   | 13.7   | 10.3   | 8.9    | 7.6    |
| 7.0  |     | 15.0           | 15.0   | 15.3   | 15.4   | 12.7   | 10.3   | 8.9    | 7.6    |
| 8.0  |     |                |        | 12.3   | 12.4   | 11.7   | 9.6    | 8.8    | 7.6    |
| 9.0  |     |                |        | 10.2   | 10.3   | 10.4   | 9.0    | 8.2    | 7.6    |
| 10.0 |     |                |        | 8.6    | 8.7    | 8.8    | 8.4    | 7.7    | 7.1    |
| 11.0 |     |                |        | 7.4    | 7.5    | 7.6    | 7.6    | 7.2    | 6.7    |
| 12.0 |     |                |        | 6.5    | 6.5    | 6.6    | 6.7    | 6.7    | 6.3    |
| 14.0 |     |                |        |        | 5.1    | 5.1    | 5.2    | 5.2    | 5.2    |
| 16.0 |     |                |        |        | 4.1    | 4.1    | 4.2    | 4.2    | 4.2    |
| 18.0 |     |                |        |        |        | 3.4    | 3.4    | 3.4    | 3.4    |
| 20.0 |     |                |        |        |        | 2.8    | 2.8    | 2.8    | 2.8    |
| 22.0 |     |                |        |        |        | 2.3    | 2.3    | 2.4    | 2.4    |
| 24.0 |     |                |        |        |        |        | 2.0    | 2.0    | 2.0    |
| 26.0 |     |                |        |        |        |        | 1.7    | 1.7    | 1.7    |
| 28.0 |     |                |        |        |        |        |        | 1.4    | 1.4    |
| 30.0 |     |                |        |        |        |        |        |        | 1.2    |
| 32.0 |     |                |        |        |        |        |        |        | 1.0    |
| %    | I   | 0              | 0      | 20     | 40     | 60     | 80     | 90     | 100    |
|      | II  | 0              | 0      | 20     | 40     | 60     | 80     | 90     | 100    |
|      | III | 0              | 0      | 20     | 40     | 60     | 80     | 90     | 100    |

## TADANO FAUN ATF 40G-2



### NEED ADVICE?

We have experienced staff who can help you. We can visit your site to discuss your needs.

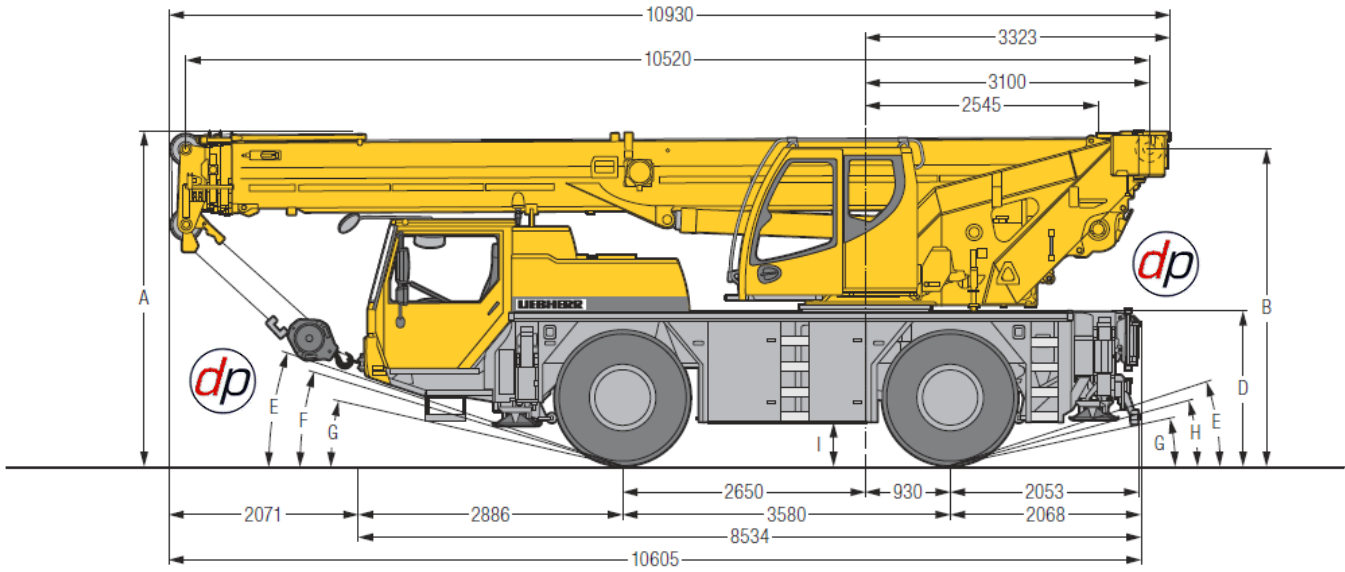
**+44 (0) 1902 405553**

+44 (0) 1902 405553



SCAN ME

## 40 TONNE ALL TERRAIN CRANE – (LIEBHERR LTM 1040-2.1)

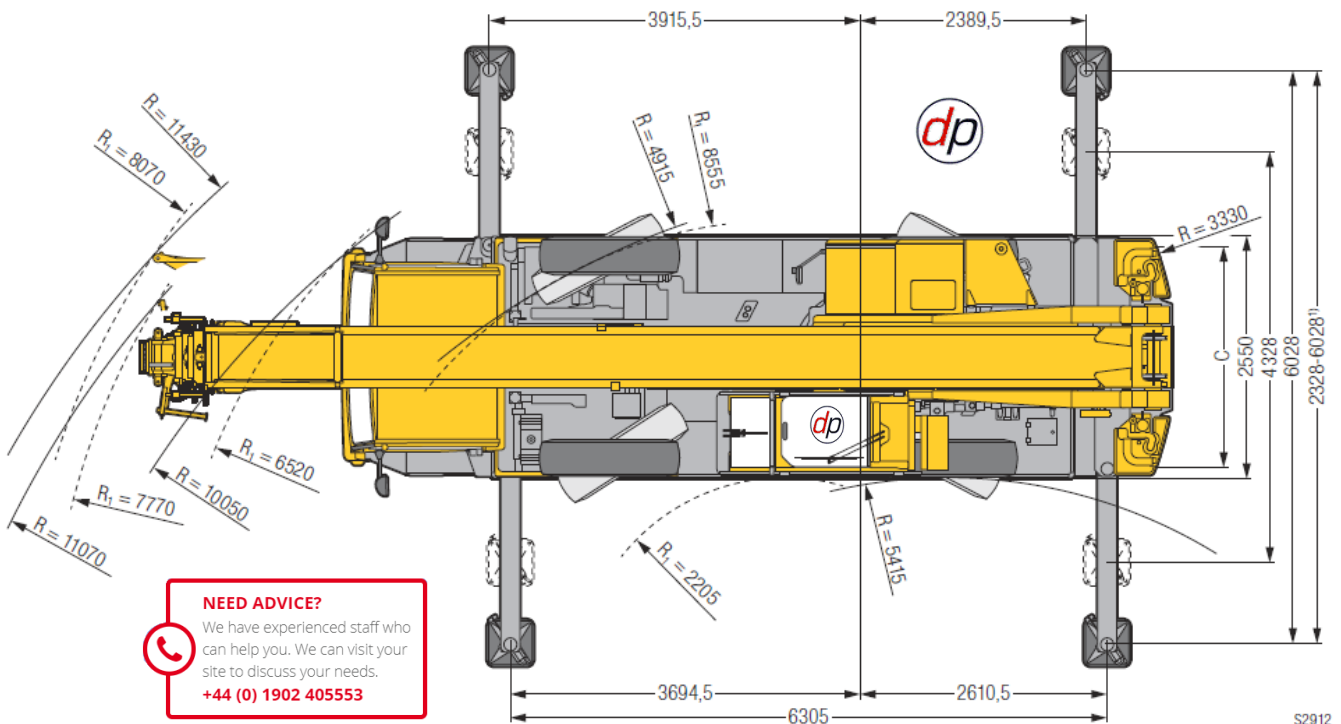


### LIEBHERR LTM 1040-2.1

Maße/Dimensions/Encombremet/Dimensioni/Dimensiones/Габариты крана mm

| ⊙                        | A    | A<br>100 mm* | B    | C    | D    | E   | F   | G   | H   | I   |
|--------------------------|------|--------------|------|------|------|-----|-----|-----|-----|-----|
| 385/95 R 25 (14.00 R 25) | 3550 | 3450         | 3369 | 2160 | 1598 | 18° | 16° | 11° | 14° | 375 |
| 445/95 R 25 (16.00 R 25) | 3600 | 3500         | 3419 | 2100 | 1648 | 19° | 17° | 12° | 15° | 425 |

\* abgesenkt • lowered • abaissé • abbassato • suspensión abajo • шасси осажено



**NEED ADVICE?**  
We have experienced staff who can help you. We can visit your site to discuss your needs.  
**+44 (0) 1902 405553**

S2912

R<sub>1</sub> = Allradlenkung • All-wheel steering • Direction toutes roues • Tutti gli assi sterzanti • Dirección en todos los ejes • Поворот всеми колесами

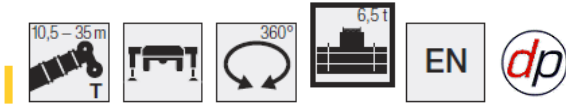
<sup>1)</sup> nur mit VarioBase® • only with VarioBase® • seulement avec VarioBase® • solo con VarioBase® • sólo con VarioBase® • только с VarioBase®



SCAN ME

## 40 TONNE ALL TERRAIN CRANE – (LIEBHERR LTM 1040-2.1)

### Lifting capacities



| Reach (m) | 10,5 m |      | 15,4 m |      | 20,3 m |      | 25,2 m |      | 30,1 m |     | 32,6 m |     | 35 m |     | Reach (m) |
|-----------|--------|------|--------|------|--------|------|--------|------|--------|-----|--------|-----|------|-----|-----------|
|           | *      |      |        | **   |        | **   |        | **   |        | **  |        | **  |      | **  |           |
| 2,5       | 40     |      |        |      |        |      |        |      |        |     |        |     |      |     | 2,5       |
| 3         | 35,4   | 30,6 | 19,7   | 15,4 |        |      |        |      |        |     |        |     |      |     | 3         |
| 3,5       | 32,9   | 28,2 | 20,2   | 15,5 | 17,5   | 13,1 |        |      |        |     |        |     |      |     | 3,5       |
| 4         | 29,8   | 25,6 | 20,6   | 15,6 | 18     | 13   | 15,1   | 10,4 |        |     |        |     |      |     | 4         |
| 4,5       | 26,7   | 23,5 | 21,2   | 15,9 | 18,3   | 13   | 14,8   | 10,3 | 10,7   | 7,5 |        |     |      |     | 4,5       |
| 5         | 24,3   | 21,6 | 21,3   | 16,1 | 18,8   | 12,8 | 14,3   | 10,2 | 10,6   | 7,4 | 9      | 5,6 |      |     | 5         |
| 6         | 20     | 18,5 | 18,8   | 16,4 | 18,7   | 12,5 | 13,3   | 10   | 10,2   | 7,2 | 8,8    | 5,4 | 7,4  | 3,7 | 6         |
| 7         | 15,6   | 15,4 | 15,7   | 15,6 | 15,3   | 12,4 | 12,4   | 9,9  | 9,6    | 7   | 8,5    | 5,2 | 7,2  | 3,5 | 7         |
| 8         |        |      | 13     | 13   | 12,8   | 12,3 | 11,5   | 9,7  | 8,9    | 6,8 | 8,1    | 5   | 6,9  | 3,3 | 8         |
| 9         |        |      | 10,7   | 10,7 | 10,8   | 10,8 | 10,4   | 9,2  | 8,4    | 6,5 | 7,7    | 4,8 | 6,6  | 2,8 | 9         |
| 10        |        |      | 9      | 9    | 9,1    | 9,1  | 9,1    | 8,9  | 7,9    | 6   | 7,3    | 4,6 | 6,3  | 2,6 | 10        |
| 11        |        |      | 7,7    | 7,7  | 7,8    | 7,8  | 7,9    | 7,9  | 7,4    | 5,8 | 6,9    | 4,5 | 6,1  | 2,5 | 11        |
| 12        |        |      | 6,7    | 6,7  | 6,8    | 6,8  | 6,9    | 6,9  | 6,9    | 5,7 | 6,5    | 4,3 | 5,8  | 2,4 | 12        |
| 13        |        |      |        |      | 6      | 6    | 6      | 6    | 6,1    | 5,6 | 6,1    | 4,2 | 5,6  | 2,3 | 13        |
| 14        |        |      |        |      | 5,3    | 5,3  | 5,4    | 5,4  | 5,4    | 5,3 | 5,5    | 4,1 | 5,4  | 2,2 | 14        |
| 15        |        |      |        |      | 4,7    | 4,7  | 4,8    | 4,8  | 4,9    | 4,9 | 4,9    | 3,9 | 4,9  | 2,1 | 15        |
| 16        |        |      |        |      | 4,3    | 4,3  | 4,3    | 4,3  | 4,4    | 4,4 | 4,4    | 3,8 | 4,4  | 2   | 16        |
| 17        |        |      |        |      | 3,8    | 3,8  | 3,9    | 3,9  | 3,9    | 3,9 | 4      | 3,7 | 4    | 1,9 | 17        |
| 18        |        |      |        |      |        |      | 3,5    | 3,5  | 3,6    | 3,6 | 3,6    | 3,6 | 3,6  | 1,8 | 18        |
| 19        |        |      |        |      |        |      | 3,2    | 3,2  | 3,3    | 3,3 | 3,3    | 3,3 | 3,3  | 1,6 | 19        |
| 20        |        |      |        |      |        |      | 2,9    | 2,9  | 3      | 3   | 3      | 3   | 3    | 1,4 | 20        |
| 21        |        |      |        |      |        |      | 2,7    | 2,7  | 2,7    | 2,7 | 2,7    | 2,7 | 2,8  | 1,2 | 21        |
| 22        |        |      |        |      |        |      | 2,5    | 2,5  | 2,5    | 2,5 | 2,5    | 2,5 | 2,5  | 1,1 | 22        |
| 23        |        |      |        |      |        |      |        |      | 2,3    | 2,3 | 2,3    | 2,3 | 2,3  | 0,9 | 23        |
| 24        |        |      |        |      |        |      |        |      | 2,1    | 2,1 | 2,1    | 2,1 | 2,1  | 0,8 | 24        |
| 25        |        |      |        |      |        |      |        |      | 1,9    | 1,9 | 1,9    | 1,9 | 1,9  | 0,7 | 25        |
| 26        |        |      |        |      |        |      |        |      | 1,7    | 1,7 | 1,7    | 1,7 | 1,8  |     | 26        |
| 27        |        |      |        |      |        |      |        |      | 1,5    | 1,5 | 1,6    | 1,6 | 1,6  |     | 27        |
| 28        |        |      |        |      |        |      |        |      |        |     | 1,4    | 1,4 | 1,5  |     | 28        |
| 29        |        |      |        |      |        |      |        |      |        |     | 1,3    | 1,3 | 1,3  |     | 29        |
| 30        |        |      |        |      |        |      |        |      |        |     |        |     | 1,2  |     | 30        |
| 31        |        |      |        |      |        |      |        |      |        |     |        |     | 1,1  |     | 31        |

\* nach hinten · over rear · en arrière · sul posteriore · hacia atrás · стрела повернута назад

t\_196\_00226\_00\_000 / 00009\_00\_000

\*\* teleskopierbare Lasten · telescopic loads · capacités de levage en télescopage · portate del braccio in estensione · cargas telescópicas · телескопирование под нагрузкой

**dp**  
**LIEBHERR**  
**LTM 1040-2.1**

**NEED ADVICE?**  
We have experienced staff who can help you. We can visit your site to discuss your needs.  
**+44 (0) 1902 405553**

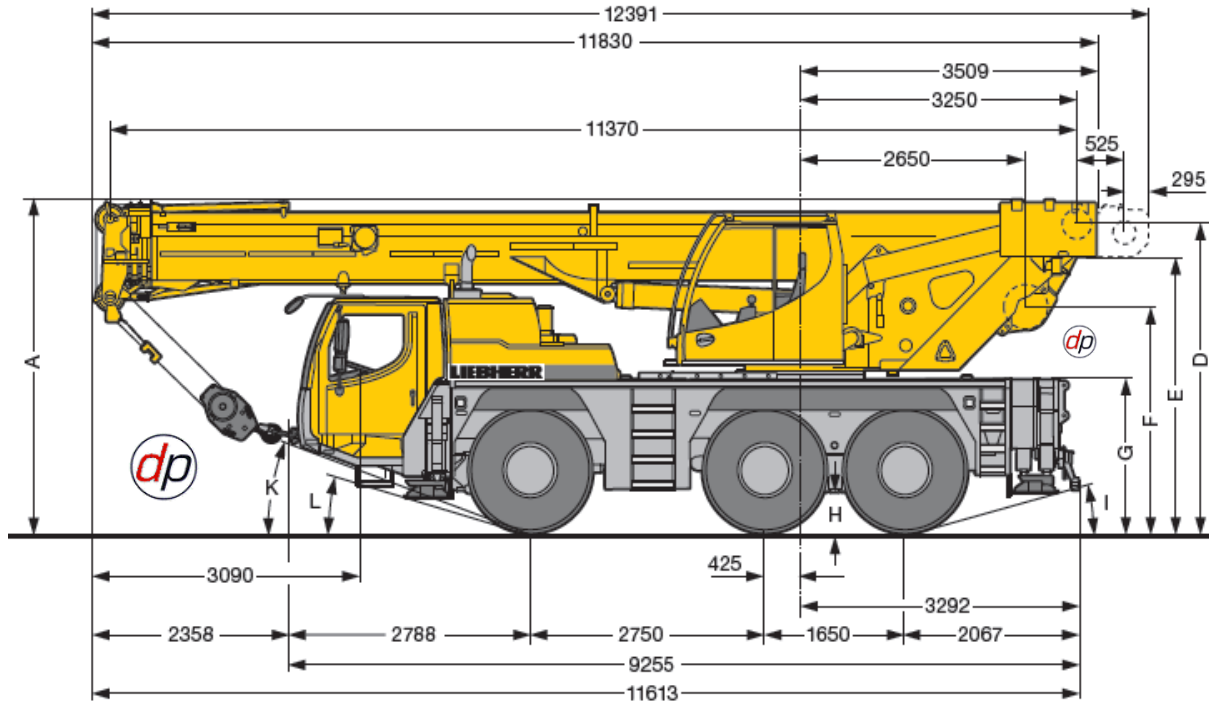
+44 (0) 1902 405553







## 50 TONNE ALL TERRAIN CRANE – (LIEBHERR LTM1050-3.1)



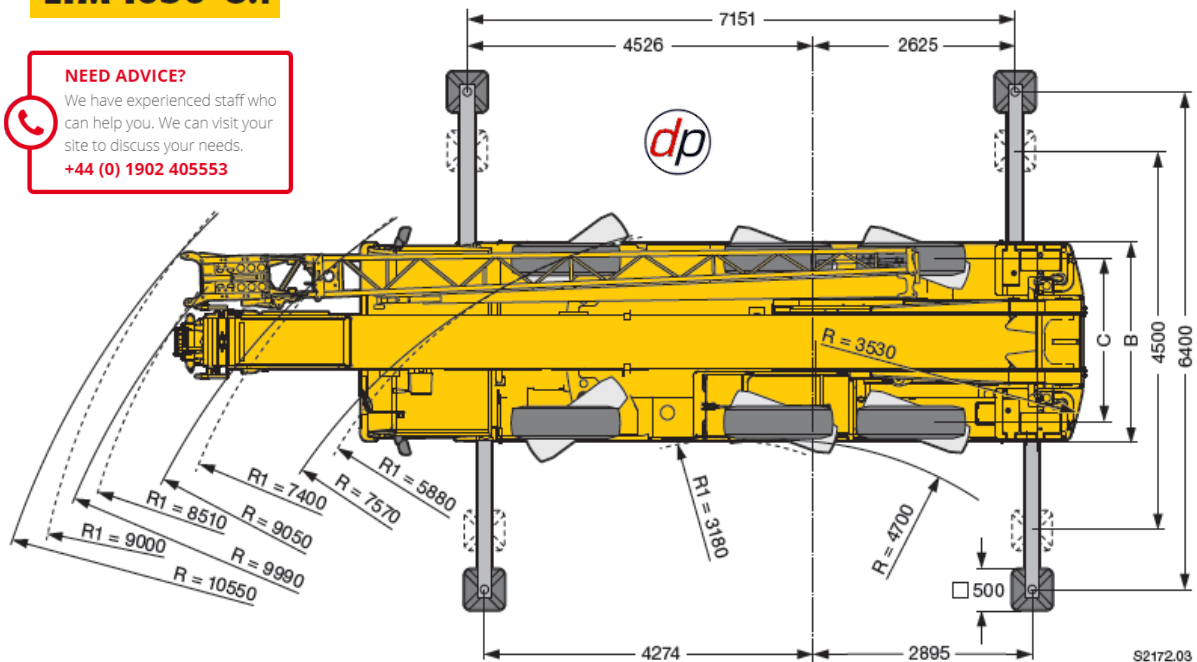
R<sub>1</sub> = Allradlenkung · All-wheel steering · Direction toutes roues · Tutti gli assi sterzanti · Dirección en todos los ejes · Поворот всеми колесами

|                          | Maße · Dimensions · Encombrement · Dimensioni · Dimensiones · Размеры mm |              |      |      |      |      |      |      |     |     |     |     |
|--------------------------|--|--------------|------|------|------|------|------|------|-----|-----|-----|-----|
|                          | A  | A<br>100 mm* | B    | C    | D    | E    | F    | G    | H   | I   | K   | L   |
| 385/95 R 25 (14.00 R 25) | 3785   | 3685         | 2540 | 2113 | 3508 | 3131 | 2548 | 1710 | 375 | 11° | 19° | 13° |
| 445/95 R 25 (16.00 R 25) | 3835   | 3735         | 2540 | 2101 | 3558 | 3181 | 2598 | 1760 | 425 | 12° | 21° | 15° |
| 525/80 R 25 (20.5 R 25)  | 3835   | 3735         | 2680 | 2163 | 3558 | 3181 | 2598 | 1760 | 425 | 12° | 21° | 15° |

\* abgeesenkt · lowered · abaisé · abbassato · suspensión abajo · шасси осажено

### LTM 1050-3.1

**NEED ADVICE?**  
We have experienced staff who can help you. We can visit your site to discuss your needs.  
**+44 (0) 1902 405553**



S2172.03



SCAN ME

## 50 TONNE ALL TERRAIN CRANE – (LIEBHERR LTM1050-3.1)

| m  | 11,4 m |      | 16,7 m |      | 22 m |      | 27,3 m |      | 32,6 m |      | 35,8 m |     | 38 m |     | m  |
|----|--------|------|--------|------|------|------|--------|------|--------|------|--------|-----|------|-----|----|
|    | *      |      |        | **   |      | **   |        | **   |        | **   |        | **  |      | **  |    |
| 3  | 50     | 42   | 24,7   | 20,2 | 24,6 | 19,1 | 17     | 15,8 |        |      |        |     |      |     | 3  |
| 4  | 41,3   | 36,5 | 26,5   | 20,2 | 25,1 | 18,9 | 16,6   | 15,5 | 11,5   | 10,7 |        |     |      |     | 4  |
| 5  | 34,1   | 30,6 | 27,8   | 20,2 | 24,2 | 18,8 | 16     | 15,2 | 11,3   | 10,3 | 9,5    | 6,9 |      |     | 5  |
| 6  | 29     | 25,5 | 26     | 20,2 | 22,7 | 18,7 | 15,3   | 15   | 11     | 10   | 9,4    | 6,6 | 7,5  | 3,7 | 6  |
| 7  | 24,5   | 21,5 | 21,8   | 20,2 | 21   | 18,6 | 14,4   | 14,4 | 10,7   | 9,7  | 9,2    | 6,3 | 7,2  | 3,5 | 7  |
| 8  | 16,8   | 16,8 | 18,5   | 18,5 | 18,6 | 18,2 | 13,4   | 13,4 | 10,2   | 9,4  | 8,9    | 6,1 | 7    | 3,3 | 8  |
| 9  |        |      | 15,5   | 15,5 | 15,6 | 15,6 | 12,5   | 12,5 | 9,7    | 9,2  | 8,5    | 5,8 | 6,7  | 3,2 | 9  |
| 10 |        |      | 13,1   | 13,1 | 13,4 | 13,4 | 11,6   | 11,6 | 9,2    | 8,8  | 8,1    | 5,6 | 6,5  | 3   | 10 |
| 11 |        |      | 11,4   | 11,4 | 11,5 | 11,5 | 10,8   | 10,8 | 8,6    | 8,1  | 7,7    | 5,4 | 6,2  | 2,8 | 11 |
| 12 |        |      | 10     | 10   | 10,1 | 10,1 | 10,1   | 10,1 | 8      | 7,9  | 7,3    | 5,2 | 6    | 2,7 | 12 |
| 14 |        |      |        |      | 7,8  | 7,8  | 7,8    | 7,8  | 7,1    | 7,1  | 6,7    | 4,9 | 5,6  | 2,5 | 14 |
| 16 |        |      |        |      | 6,3  | 6,3  | 6,4    | 6,4  | 6,4    | 6,4  | 6,1    | 4,6 | 5,2  | 2,3 | 16 |
| 18 |        |      |        |      | 5,2  | 5,2  | 5,3    | 5,3  | 5,4    | 5,4  | 5,4    | 4   | 4,8  | 1,7 | 18 |
| 20 |        |      |        |      |      |      | 4,3    | 4,3  | 4,4    | 4,4  | 4,3    | 3,7 | 4,3  | 1,3 | 20 |
| 22 |        |      |        |      |      |      | 3,6    | 3,6  | 3,7    | 3,7  | 3,7    | 3,2 | 3,7  | 0,9 | 22 |
| 24 |        |      |        |      |      |      | 3      | 3    | 3,1    | 3,1  | 3,1    | 2,4 | 3,2  |     | 24 |
| 26 |        |      |        |      |      |      |        |      | 2,7    | 2,7  | 2,7    | 1,8 | 2,7  |     | 26 |
| 28 |        |      |        |      |      |      |        |      | 2,2    | 2,2  | 2,3    | 1,4 | 2,3  |     | 28 |
| 30 |        |      |        |      |      |      |        |      |        |      | 1,9    | 1   | 1,9  |     | 30 |
| 32 |        |      |        |      |      |      |        |      |        |      | 1,6    |     | 1,6  |     | 32 |
| 34 |        |      |        |      |      |      |        |      |        |      |        |     | 1,4  |     | 34 |

\* nach hinten · over rear · sur arrière · sul posteriore · hacia atrás · стрела повернута назад  
 \*\* teleskopierbare Lasten · telescopic loads · capacités de levage en télescopage · portate del braccio in estensione · cargas telescópicas · телескопирование под нагрузкой

**dp**  
**LIEBHERR**  
**LTM 1050-3.1**

**NEED ADVICE?**  
We have experienced staff who can help you. We can visit your site to discuss your needs.  
**+44 (0) 1902 405553**

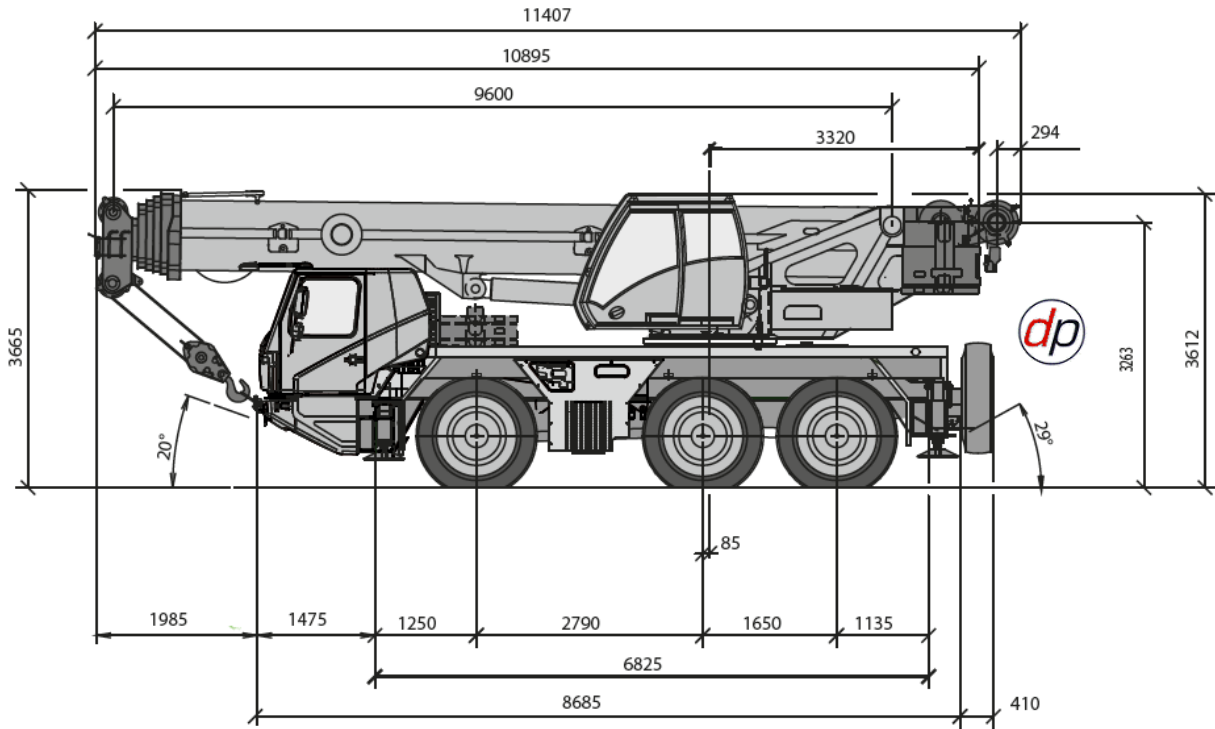




SCAN ME

## 60 TONNE ALL TERRAIN CRANE – (GROVE GMK3060)

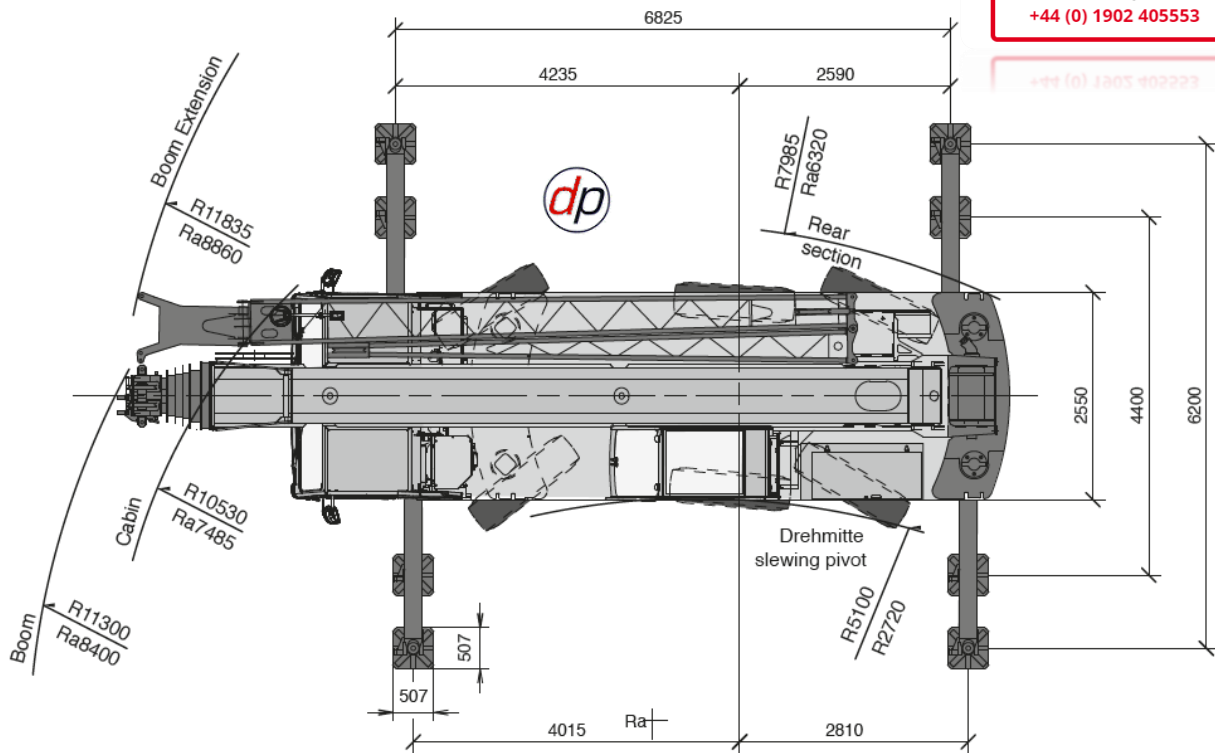
### - SHORT BOOM -



## Grove GMK3060



**NEED ADVICE?**  
We have experienced staff who can help you. We can visit your site to discuss your needs.  
**+44 (0) 1902 405553**



+44 (0) 1902 405553



SCAN ME

## 60 TONNE ALL TERRAIN CRANE – (GROVE GMK3060)

### - SHORT BOOM -

Telescopic boom • Teleskopausleger • Flèche principale • Pluma telescópica • Braccio telescopico • Телескопическая стрела

9,6 - 43,0 m    
 6,2 m    
 360°    
 13,6 t    

EN 13000

| m    | 9,6° | 9,6  | 13,0 | 16,4 | 19,8 | 23,2 | 26,8 | 30,4 | 34,0 | 36,6 | 40,2 | 43,0 | m    |
|------|------|------|------|------|------|------|------|------|------|------|------|------|------|
| 3,0  | 60,0 | -    | -    | -    | -    | -    | -    | -    | -    | -    | -    | -    | 3,0  |
| 4,0  | 48,5 | 45,0 | 45,5 | 42,5 | 38,5 | 32,5 | 23,5 | -    | -    | -    | -    | -    | 4,0  |
| 5,0  | 41,0 | 37,5 | 37,5 | 36,5 | 33,5 | 29,5 | 21,5 | 19,0 | -    | -    | -    | -    | 5,0  |
| 6,0  | 33,5 | 32,0 | 32,0 | 30,5 | 28,5 | 26,0 | 19,4 | 17,5 | 14,4 | 11,3 | -    | -    | 6,0  |
| 7,0  | 27,5 | 27,5 | 27,5 | 27,0 | 25,5 | 23,5 | 17,9 | 16,1 | 14,2 | 11,3 | 9,0  | -    | 7,0  |
| 8,0  | 22,5 | 22,5 | 23,0 | 22,5 | 22,5 | 21,0 | 16,3 | 14,7 | 13,2 | 11,3 | 9,0  | 7,6  | 8,0  |
| 9,0  | -    | -    | 19,9 | 19,9 | 19,7 | 19,4 | 15,2 | 13,3 | 12,2 | 10,9 | 9,0  | 7,6  | 9,0  |
| 10,0 | -    | -    | 17,3 | 17,4 | 17,1 | 16,9 | 14,1 | 11,9 | 11,3 | 10,3 | 9,0  | 7,6  | 10,0 |
| 11,0 | -    | -    | 15,0 | 15,1 | 14,7 | 14,6 | 13,0 | 10,8 | 10,3 | 9,6  | 8,6  | 7,6  | 11,0 |
| 12,0 | -    | -    | -    | 13,1 | 13,1 | 12,9 | 12,2 | 9,7  | 9,3  | 8,9  | 8,1  | 7,5  | 12,0 |
| 13,0 | -    | -    | -    | 11,6 | 11,6 | 11,3 | 11,5 | 9,1  | 8,6  | 8,4  | 7,7  | 7,2  | 13,0 |
| 14,0 | -    | -    | -    | 10,2 | 10,2 | 9,9  | 10,3 | 8,4  | 8,0  | 7,8  | 7,3  | 6,8  | 14,0 |
| 15,0 | -    | -    | -    | -    | 9,0  | 9,3  | 9,1  | 7,8  | 7,4  | 7,2  | 6,9  | 6,5  | 15,0 |
| 16,0 | -    | -    | -    | -    | 8,0  | 8,4  | 8,2  | 7,1  | 6,8  | 6,6  | 6,5  | 6,2  | 16,0 |
| 18,0 | -    | -    | -    | -    | 7,3  | 7,6  | 7,3  | 6,7  | 6,4  | 6,2  | 6,1  | 5,8  | 18,0 |
| 20,0 | -    | -    | -    | -    | -    | 6,3  | 6,0  | 5,7  | 5,6  | 5,3  | 5,3  | 5,2  | 20,0 |
| 22,0 | -    | -    | -    | -    | -    | 5,2  | 5,0  | 4,7  | 4,7  | 4,5  | 4,5  | 4,5  | 22,0 |
| 24,0 | -    | -    | -    | -    | -    | -    | 4,2  | 3,9  | 3,9  | 4,0  | 4,0  | 4,0  | 24,0 |
| 26,0 | -    | -    | -    | -    | -    | -    | 2,9  | 3,2  | 3,2  | 3,3  | 3,5  | 3,6  | 26,0 |
| 28,0 | -    | -    | -    | -    | -    | -    | -    | 2,7  | 2,7  | 2,9  | 3,2  | 3,1  | 28,0 |
| 30,0 | -    | -    | -    | -    | -    | -    | -    | -    | 2,2  | 2,6  | 2,9  | 2,6  | 30,0 |
| 32,0 | -    | -    | -    | -    | -    | -    | -    | -    | 1,9  | 2,4  | 2,5  | 2,2  | 32,0 |
| 34,0 | -    | -    | -    | -    | -    | -    | -    | -    | -    | 2,2  | 2,1  | 1,9  | 34,0 |
| 36,0 | -    | -    | -    | -    | -    | -    | -    | -    | -    | -    | 1,8  | 1,6  | 36,0 |
| 38,0 | -    | -    | -    | -    | -    | -    | -    | -    | -    | -    | 1,2  | 1,3  | 38,0 |
|      |      |      |      |      |      |      |      |      |      |      |      | 1,1  | 38,0 |

\* Over rear, nach hinten, en arrière, por la parte trasera, sul posteriore, Над задней частью

# Grove GMK3060



#### NEED ADVICE?

We have experienced staff who can help you. We can visit your site to discuss your needs.

**+44 (0) 1902 405553**

+44 (0) 1902 405553

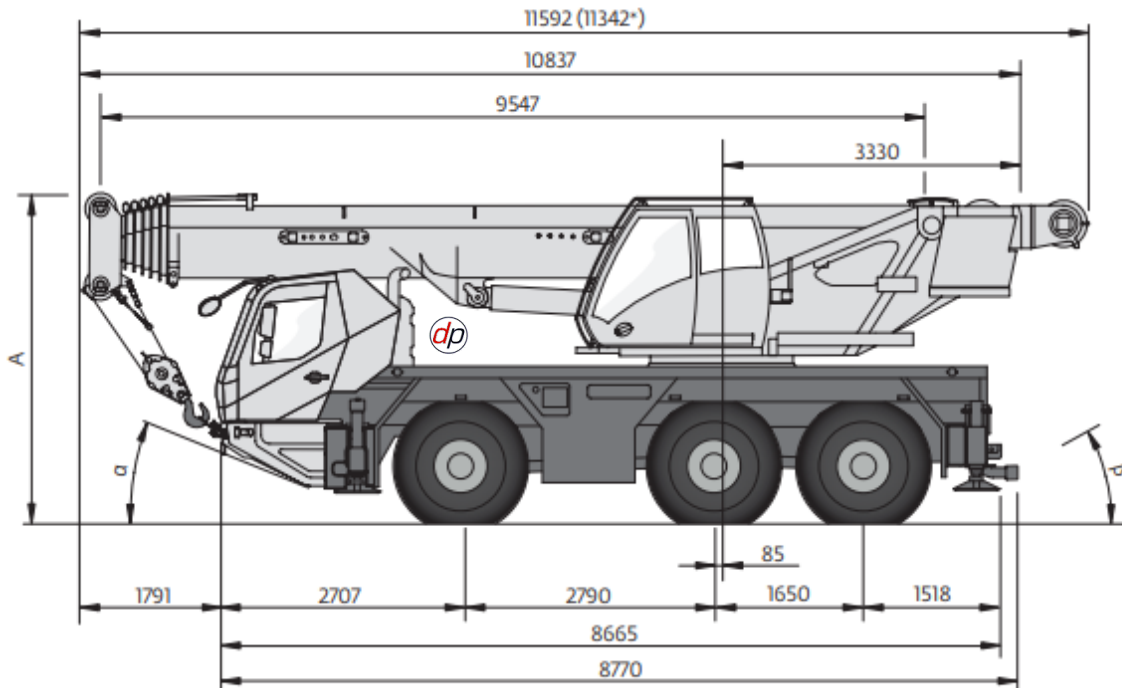




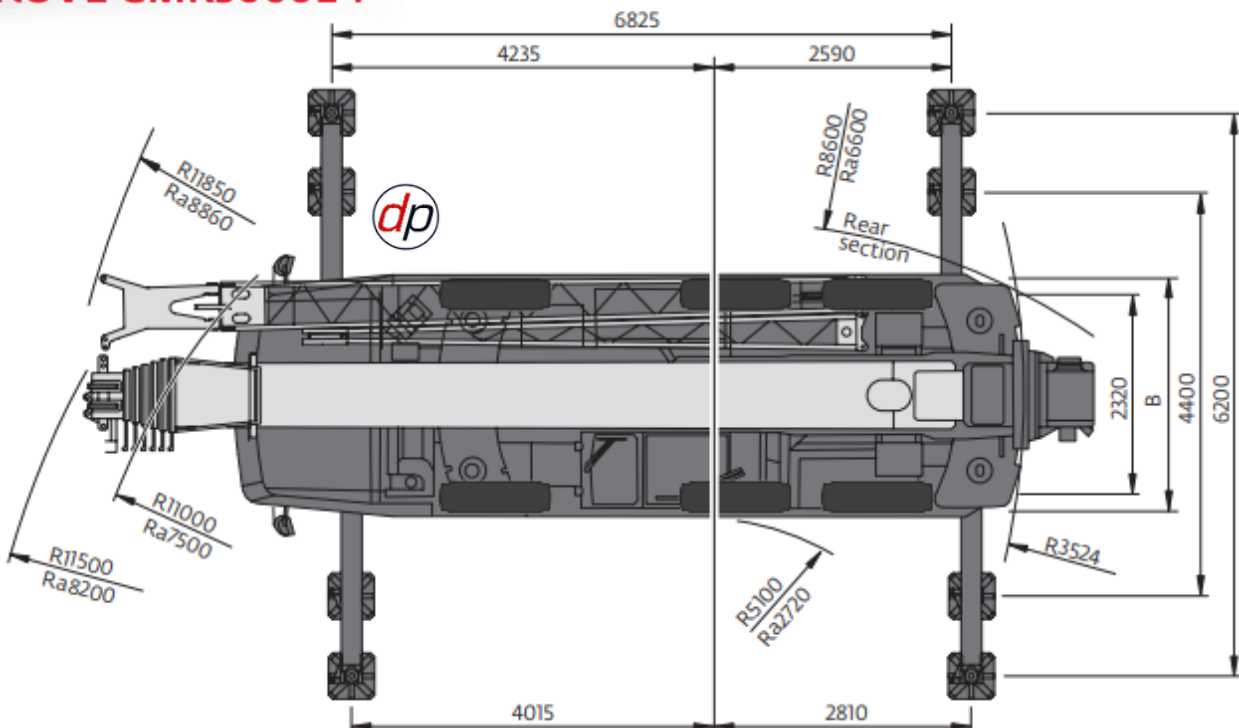
SCAN ME

## 60 TONNE ALL TERRAIN CRANE – (GROVE GMK3060L-1)

### - LONG BOOM -



### GROVE GMK3060L-1



|           | A    | A<br>130 mm** | B    | D    | E   | F   | α   | β   |
|-----------|------|---------------|------|------|-----|-----|-----|-----|
| 14.00 R25 | 3770 | 3640          | 2550 | 1780 | 495 | 330 | 25° | 27° |
| 16.00 R25 | 3820 | 3690          | 2750 | 1830 | 545 | 380 | 27° | 29° |
| 20.50 R25 | 3820 | 3690          | 2860 | 1830 | 545 | 380 | 27° | 29° |

\*\* Inverted • abgrevat • surbaitais • rabaiz • abbasato • crucevovait



SCAN ME

## 60 TONNE ALL TERRAIN CRANE – (GROVE GMK3060L-1)

### - LONG BOOM -

9,6 - 48,0 m   
 6,2 m   
 360°   
 13,5 t   

EN 13000

| m        | 9,55(0*)   | 9,55 | 13,0 | 16,5 | 19,7 | 22,9 | 25,9 | 28,8 | 31,6 | 34,3 | 36,9 | 42,1 | 45,1 | 47,3 | 48,0 | m        |
|----------|------------|------|------|------|------|------|------|------|------|------|------|------|------|------|------|----------|
| 2,4/3,0* | 55,0/60,0* |      |      |      |      |      |      |      |      |      |      |      |      |      |      | 2,4/3,0* |
| 3,0      | 50,0       | 45,0 | 44,5 | 44,5 | 39,0 |      |      |      |      |      |      |      |      |      |      | 3,0      |
| 4,0      | 41,5       | 37,0 | 37,5 | 37,0 | 37,0 | 32,5 | 25,0 |      |      |      |      |      |      |      |      | 4,0      |
| 5,0      | 34,0       | 31,5 | 32,0 | 31,0 | 31,5 | 29,0 | 24,0 | 21,0 |      |      |      |      |      |      |      | 5,0      |
| 6,0      | 27,5       | 27,5 | 27,5 | 27,0 | 27,0 | 26,0 | 22,0 | 19,1 | 16,9 | 14,5 |      |      |      |      |      | 6,0      |
| 7,0      | 19,6       | 19,6 | 23,5 | 23,5 | 23,0 | 23,0 | 20,0 | 17,6 | 15,7 | 13,6 | 12,0 |      |      |      |      | 7,0      |
| 8,0      |            |      | 20,0 | 19,9 | 19,5 | 19,1 | 18,3 | 16,2 | 14,3 | 12,6 | 11,3 | 8,7  |      |      |      | 8,0      |
| 9,0      |            |      | 17,5 | 17,3 | 17,2 | 16,2 | 16,1 | 14,9 | 13,0 | 11,6 | 10,6 | 8,6  | 7,7  |      |      | 9,0      |
| 10,0     |            |      | 14,5 | 14,6 | 15,0 | 14,0 | 14,0 | 13,8 | 11,9 | 10,8 | 10,1 | 8,4  | 7,5  | 6,7  | 6,6  | 10,0     |
| 11,0     |            |      |      | 13,1 | 12,8 | 13,0 | 12,3 | 12,3 | 10,9 | 10,2 | 9,5  | 8,1  | 7,2  | 6,5  | 6,5  | 11,0     |
| 12,0     |            |      |      | 11,5 | 11,0 | 11,4 | 10,9 | 11,0 | 10,0 | 9,7  | 8,8  | 7,6  | 6,8  | 6,2  | 6,2  | 12,0     |
| 13,0     |            |      |      | 10,0 | 9,8  | 10,0 | 10,1 | 9,8  | 9,3  | 9,0  | 8,3  | 7,3  | 6,5  | 5,9  | 5,9  | 13,0     |
| 14,0     |            |      |      | 6,7  | 9,2  | 8,8  | 9,2  | 8,9  | 8,4  | 8,2  | 7,8  | 6,8  | 6,2  | 5,6  | 5,7  | 14,0     |
| 15,0     |            |      |      |      | 8,4  | 7,9  | 8,2  | 7,9  | 7,8  | 7,4  | 7,3  | 6,4  | 5,9  | 5,4  | 5,4  | 15,0     |
| 16,0     |            |      |      |      | 7,6  | 7,4  | 7,4  | 7,1  | 7,3  | 6,7  | 6,6  | 6,0  | 5,5  | 5,1  | 5,1  | 16,0     |
| 18,0     |            |      |      |      |      | 6,2  | 6,0  | 5,7  | 6,0  | 5,5  | 5,5  | 5,4  | 5,0  | 4,5  | 4,6  | 18,0     |
| 20,0     |            |      |      |      |      | 4,1  | 5,0  | 4,7  | 5,0  | 4,9  | 4,5  | 4,5  | 4,5  | 4,1  | 4,2  | 20,0     |
| 22,0     |            |      |      |      |      |      | 4,2  | 3,9  | 4,1  | 4,3  | 3,8  | 4,0  | 3,9  | 3,8  | 3,8  | 22,0     |
| 24,0     |            |      |      |      |      |      |      | 3,2  | 3,5  | 3,7  | 3,5  | 3,3  | 3,5  | 3,4  | 3,4  | 24,0     |
| 26,0     |            |      |      |      |      |      |      | 2,7  | 2,9  | 3,1  | 3,2  | 2,9  | 3,0  | 2,9  | 2,9  | 26,0     |
| 28,0     |            |      |      |      |      |      |      |      | 2,5  | 2,6  | 2,7  | 2,7  | 2,6  | 2,4  | 2,4  | 28,0     |
| 30,0     |            |      |      |      |      |      |      |      |      | 2,3  | 2,3  | 2,3  | 2,2  | 2,0  | 2,0  | 30,0     |
| 32,0     |            |      |      |      |      |      |      |      |      | 1,9  | 2,0  | 2,1  | 1,9  | 1,7  | 1,7  | 32,0     |
| 34,0     |            |      |      |      |      |      |      |      |      |      | 1,8  | 1,8  | 1,6  | 1,4  | 1,4  | 34,0     |
| 36,0     |            |      |      |      |      |      |      |      |      |      | 0,7  | 1,5  | 1,3  | 1,2  | 1,1  | 36,0     |
| 38,0     |            |      |      |      |      |      |      |      |      |      |      | 1,2  | 1,1  | 0,9  | 0,9  | 38,0     |
| 40,0     |            |      |      |      |      |      |      |      |      |      |      | 0,6  | 0,9  | 0,7  | 0,7  | 40,0     |
| 42,0     |            |      |      |      |      |      |      |      |      |      |      |      | 0,7  |      |      | 42,0     |

\* nominal capacity • Nenntraglast • capacité nominale • capacidad nominal • capacità nominale • Номинальная мощность

#### NEED ADVICE?

We have experienced staff who can help you. We can visit your site to discuss your needs.

+44 (0) 1902 405553

+44 (0) 1902 405553

## GROVE GMK3060L-1





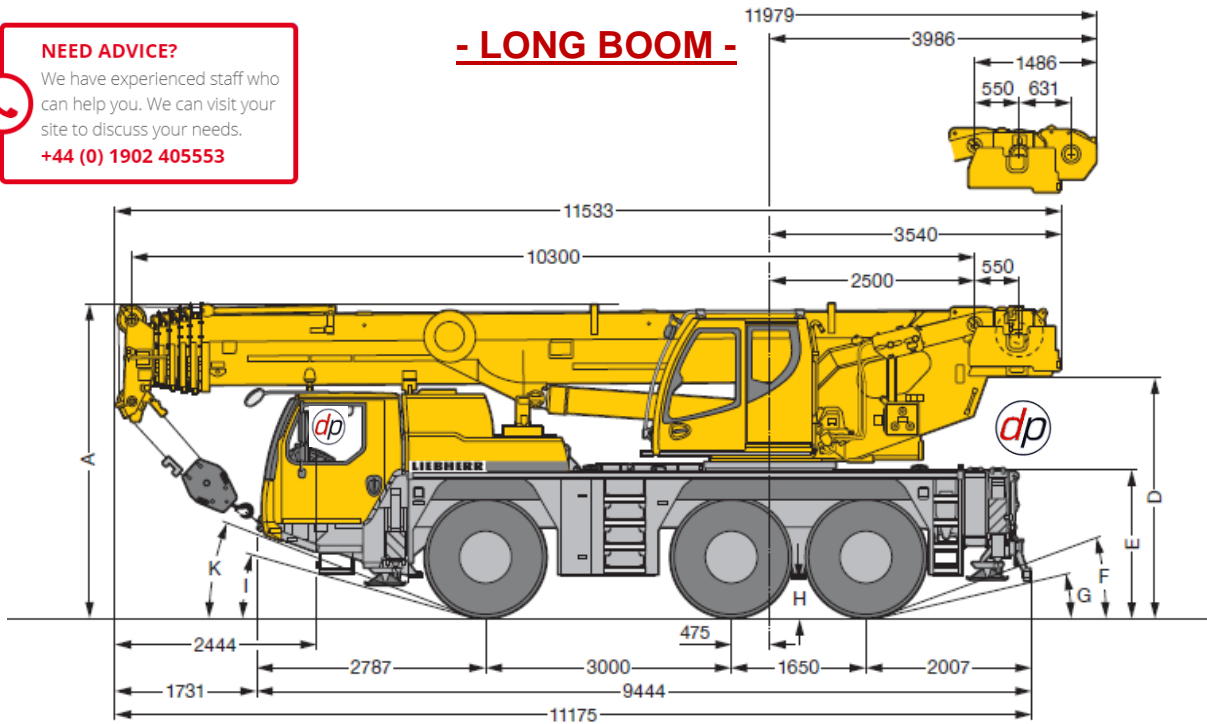
SCAN ME

## 60 TONNE ALL TERRAIN CRANE - (LIEBHERR LTM 1060-3.1)

### NEED ADVICE?

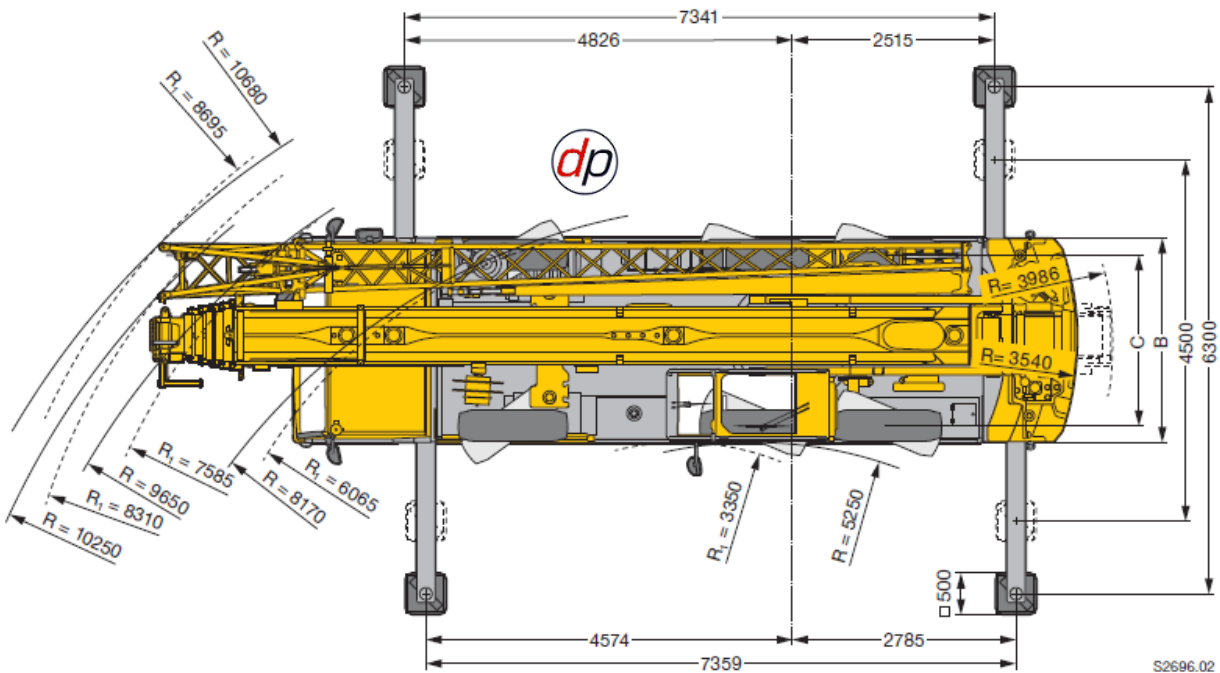
We have experienced staff who can help you. We can visit your site to discuss your needs.  
+44 (0) 1902 405553

### - LONG BOOM -



**LIEBHERR**

**LTM 1060-3.1**



R<sub>1</sub> = Allradlenkung · All-wheel steering · Direction toutes roues · Tutti gli assi sterzanti · Dirección en todos los ejes · Поворот всеми колесами

|                          | Maße · Dimensions · Encombrement · Dimensioni · Dimensiones · Размеры mm |         |      |      |      |      |     |     |     |     |     |
|--------------------------|--|---------|------|------|------|------|-----|-----|-----|-----|-----|
|                          | A  | A       | B    | C    | D    | E    | F   | G   | H   | I   | K   |
|                          |  | 100 mm* |      |      |      |      |     |     |     |     |     |
| 385/95 R 25 (14.00 R 25) | 3750   | 3650    | 2550 | 2160 | 2863 | 1710 | 18° | 11° | 375 | 13° | 18° |
| 445/95 R 25 (16.00 R 25) | 3800   | 3700    | 2550 | 2100 | 2913 | 1760 | 20° | 12° | 425 | 15° | 20° |
| 525/80 R 25 (20.5 R 25)  | 3800   | 3700    | 2690 | 2170 | 2913 | 1760 | 20° | 12° | 425 | 15° | 20° |

\* abgelenkt · lowered · abaissé · abbassato · suspensión abajó · шасси осажено



SCAN ME

## 60 TONNE ALL TERRAIN CRANE - (LIEBHERR LTM 1060-3.1)

### - LONG BOOM -

| m   | EN     |        |        |        |        |        |        |        |        |        |        |      | m   |    |
|-----|--------|--------|--------|--------|--------|--------|--------|--------|--------|--------|--------|------|-----|----|
|     | 10,3 m | 13,8 m | 17,3 m | 20,7 m | 24,2 m | 27,7 m | 31,2 m | 34,6 m | 38,1 m | 41,6 m | 45,1 m | 48 m |     |    |
| 2,1 | 60     |        |        |        |        |        |        |        |        |        |        |      | 2,1 |    |
| 2,4 | 58,8   |        |        |        |        |        |        |        |        |        |        |      | 2,4 |    |
| 2,5 | 58,2   |        |        |        |        |        |        |        |        |        |        |      | 2,5 |    |
| 3   | 54,6   | 42,3   | 41,5   | 40,4   | 34,1   | 29,6   | 22,7   |        |        |        |        |      | 3   |    |
| 3,5 | 49,9   | 42,3   | 42,2   | 40,7   | 34,4   | 30     | 23,2   |        |        |        |        |      | 3,5 |    |
| 4   | 44,5   | 40,5   | 40,2   | 38,1   | 34,8   | 30,2   | 23,6   | 18,6   |        |        |        |      | 4   |    |
| 4,5 | 39,8   | 37,2   | 36,9   | 34,9   | 33,3   | 29,9   | 24     | 18,9   | 14,6   |        |        |      | 4,5 |    |
| 5   | 36,4   | 34,2   | 34,3   | 32,9   | 31,1   | 29,6   | 24,1   | 19,1   | 14,8   |        |        |      | 5   |    |
| 6   | 31,6   | 28,7   | 29,1   | 29,3   | 28,2   | 26,6   | 23,7   | 19,2   | 15     | 11,7   |        |      | 6   |    |
| 7   | 26,5   | 24,1   | 24,6   | 24,8   | 24,8   | 23,9   | 22,9   | 18,7   | 15,1   | 12     | 9,5    | 7,2  | 7   |    |
| 8   |        |        | 20,9   | 21,1   | 21,3   | 20,9   | 19,7   | 17,7   | 14,8   | 12,1   | 9,6    | 7,4  | 6,1 | 8  |
| 9   |        |        | 17,8   | 18,3   | 18,5   | 18     | 17     | 15,9   | 14,2   | 11,9   | 9,7    | 7,4  | 6,2 | 9  |
| 10  |        |        | 15,2   | 15,8   | 15,9   | 15,7   | 14,9   | 14,3   | 13,3   | 11,5   | 9,5    | 7,4  | 6,3 | 10 |
| 11  |        |        | 13,3   | 13,7   | 13,7   | 13,6   | 13,1   | 12,6   | 12,2   | 11     | 9,2    | 7,3  | 6,3 | 11 |
| 12  |        |        |        | 11,9   | 12     | 11,9   | 11,7   | 11,6   | 11,1   | 10,4   | 8,8    | 7,1  | 6,2 | 12 |
| 13  |        |        |        | 10,6   | 10,6   | 10,5   | 10,5   | 10,5   | 10,2   | 9,7    | 8,5    | 6,9  | 6,1 | 13 |
| 14  |        |        |        | 9,4    | 9,5    | 9,4    | 9,7    | 9,4    | 9,3    | 8,7    | 8,2    | 6,7  | 5,9 | 14 |
| 15  |        |        |        |        | 8,5    | 8,9    | 8,7    | 8,5    | 8,4    | 8      | 7,8    | 6,5  | 5,8 | 15 |
| 16  |        |        |        |        | 7,7    | 8,1    | 7,9    | 7,7    | 7,6    | 7,6    | 7,2    | 6,3  | 5,7 | 16 |
| 17  |        |        |        |        | 7      | 7,3    | 7,2    | 7      | 7,1    | 7      | 6,6    | 6,1  | 5,5 | 17 |
| 18  |        |        |        |        | 6,8    | 6,7    | 6,6    | 6,6    | 6,5    | 6,4    | 6,2    | 5,9  | 5,4 | 18 |
| 19  |        |        |        |        |        | 6,2    | 6      | 6      | 6,2    | 6      | 5,9    | 5,8  | 5,5 | 19 |
| 20  |        |        |        |        |        | 5,7    | 5,7    | 5,7    | 5,5    | 5,5    | 5,4    | 5    | 4,9 | 20 |
| 21  |        |        |        |        |        | 5,3    | 5,4    | 5,2    | 5,2    | 5,1    | 5      | 4,6  | 4,5 | 21 |
| 22  |        |        |        |        |        |        | 5      | 4,9    | 4,9    | 4,7    | 4,6    | 4,2  | 4,2 | 22 |
| 23  |        |        |        |        |        |        | 4,7    | 4,5    | 4,5    | 4,4    | 4,2    | 3,9  | 3,9 | 23 |
| 24  |        |        |        |        |        |        | 4,3    | 4,2    | 4,2    | 4      | 3,9    | 3,6  | 3,6 | 24 |
| 25  |        |        |        |        |        |        | 4,1    | 3,9    | 3,9    | 3,7    | 3,6    | 3,3  | 3,3 | 25 |
| 26  |        |        |        |        |        |        |        | 3,7    | 3,7    | 3,5    | 3,3    | 3,1  | 3   | 26 |
| 27  |        |        |        |        |        |        |        | 3,5    | 3,4    | 3,2    | 3,1    | 2,8  | 2,8 | 27 |
| 28  |        |        |        |        |        |        |        | 3,3    | 3,2    | 3      | 2,9    | 2,6  | 2,6 | 28 |
| 29  |        |        |        |        |        |        |        |        | 3      | 2,8    | 2,7    | 2,4  | 2,4 | 29 |
| 30  |        |        |        |        |        |        |        |        | 2,8    | 2,6    | 2,5    | 2,3  | 2,2 | 30 |
| 31  |        |        |        |        |        |        |        |        | 2,6    | 2,4    | 2,3    | 2,1  | 2,1 | 31 |
| 32  |        |        |        |        |        |        |        |        | 2,5    | 2,3    | 2,1    | 1,9  | 1,9 | 32 |
| 33  |        |        |        |        |        |        |        |        |        | 2,1    | 2      | 1,7  | 1,8 | 33 |
| 34  |        |        |        |        |        |        |        |        |        | 2      | 1,8    | 1,6  | 1,6 | 34 |
| 35  |        |        |        |        |        |        |        |        |        | 1,8    | 1,7    | 1,5  | 1,5 | 35 |
| 36  |        |        |        |        |        |        |        |        |        |        | 1,6    | 1,3  | 1,3 | 36 |
| 37  |        |        |        |        |        |        |        |        |        |        | 1,4    | 1,2  | 1,2 | 37 |
| 38  |        |        |        |        |        |        |        |        |        |        | 1,3    | 1,1  | 1,1 | 38 |
| 39  |        |        |        |        |        |        |        |        |        |        | 1,2    | 1    | 1   | 39 |
| 40  |        |        |        |        |        |        |        |        |        |        |        | 0,9  | 0,9 | 40 |

\* nach hinten - over rear - sur arriere - sul posteriore - hacia atrás - стрелка повернута назад

t\_250\_00101\_00\_000 / t\_250\_00501\_00\_000



# LIEBHERR

## LTM 1060-3.1

#### NEED ADVICE?

We have experienced staff who can help you. We can visit your site to discuss your needs.

+44 (0) 1902 405553



+44 (0) 1902 405553

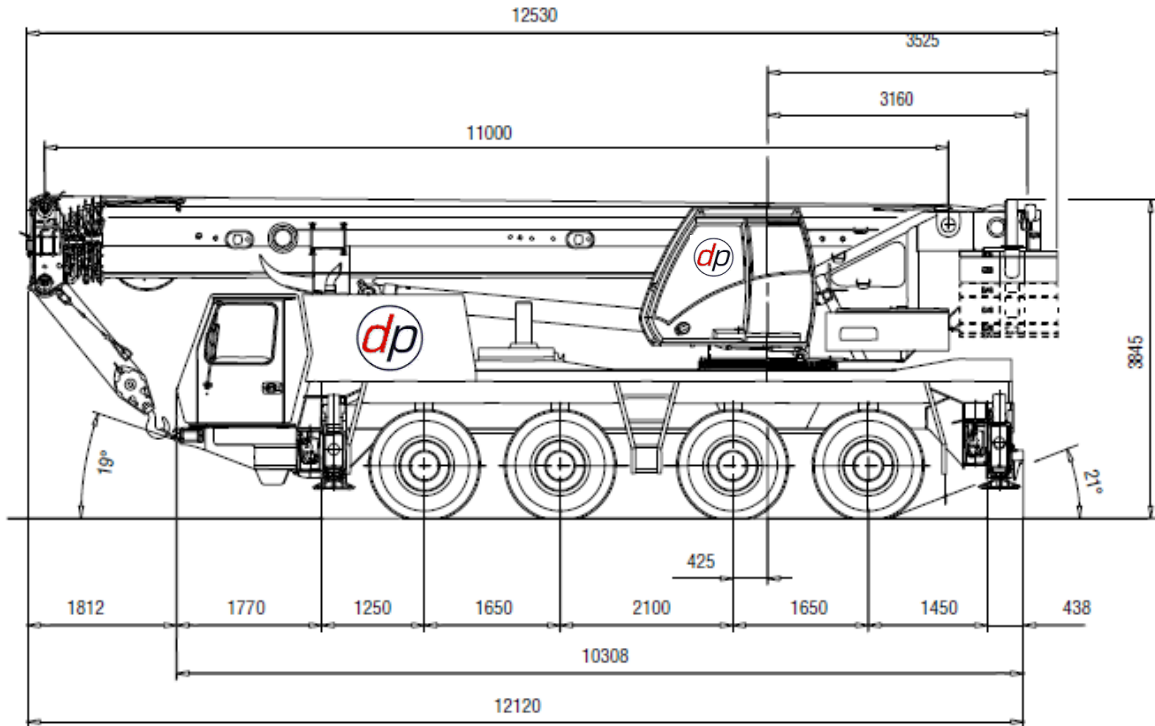






SCAN ME

## 80 TONNE ALL TERRAIN CRANE - (GROVE GMK 4080-1)



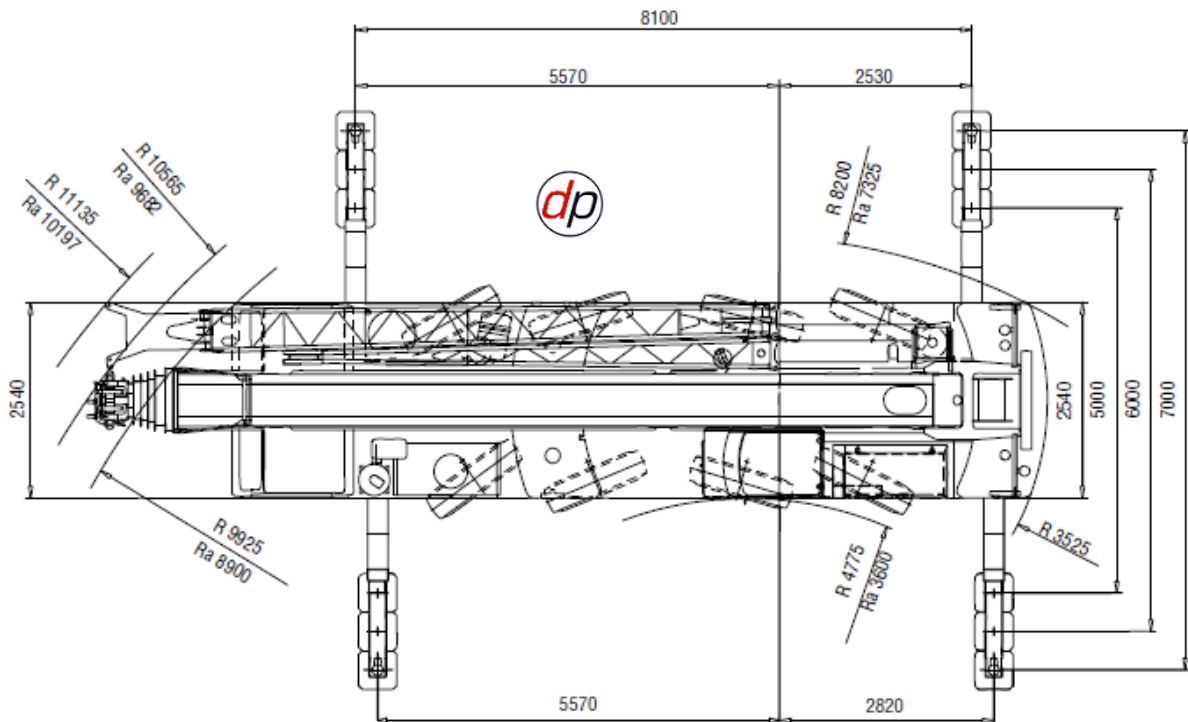
## Grove GMK4080-1



### NEED ADVICE?

We have experienced staff who can help you. We can visit your site to discuss your needs.

+44 (0) 1902 405553





SCAN ME

## 80 TONNE ALL TERRAIN CRANE (GROVE GMK 4080-1)

11,0 - 51,0 m

7,0 m

360°

19,3 t

**BALLAST AS CARRIED FOR UK ROAD TRAVEL.**



EN 13000

| m    | 11,00 | 15,15 | 19,25 | 23,30 | 27,21 | 31,00 | 35,15 | 39,25 | 43,30 | 47,21 | 51,00 |
|------|-------|-------|-------|-------|-------|-------|-------|-------|-------|-------|-------|
| 2,5  | 80,0° | -     | -     | -     | -     | -     | -     | -     | -     | -     | -     |
| 3,0  | 68,0  | 57,5  | 53,0  | 49,5  | -     | -     | -     | -     | -     | -     | -     |
| 4,0  | 53,5  | 50,5  | 47,0  | 44,0  | 36,5  | -     | -     | -     | -     | -     | -     |
| 5,0  | 46,0  | 44,5  | 41,5  | 39,0  | 35,0  | 27,5  | -     | -     | -     | -     | -     |
| 6,0  | 40,0  | 39,5  | 38,0  | 35,0  | 33,5  | 26,5  | 20,0  | -     | -     | -     | -     |
| 7,0  | 34,5  | 34,5  | 34,0  | 32,0  | 31,0  | 25,5  | 19,7  | 15,3  | -     | -     | -     |
| 8,0  | 28,5  | 30,0  | 30,0  | 28,5  | 28,0  | 24,5  | 19,3  | 15,3  | 11,5  | -     | -     |
| 9,0  | -     | 25,5  | 25,5  | 25,0  | 24,0  | 23,0  | 18,2  | 15,1  | 11,5  | 8,9   | -     |
| 10,0 | -     | 22,0  | 22,0  | 22,5  | 21,0  | 20,5  | 17,1  | 14,8  | 11,5  | 8,9   | 7,2   |
| 11,0 | -     | 18,8  | 19,2  | 19,1  | 18,8  | 18,4  | 16,0  | 14,0  | 11,5  | 8,9   | 7,2   |
| 12,0 | -     | 16,3  | 16,7  | 16,6  | 17,2  | 16,4  | 15,0  | 13,3  | 11,5  | 8,9   | 7,2   |
| 13,0 | -     | -     | 14,7  | 14,8  | 15,2  | 14,7  | 13,9  | 12,5  | 11,2  | 8,9   | 7,2   |
| 14,0 | -     | -     | 13,1  | 13,7  | 13,5  | 13,1  | 12,6  | 11,8  | 10,8  | 8,9   | 7,2   |
| 15,0 | -     | -     | 11,9  | 12,3  | 12,1  | 11,7  | 11,4  | 11,0  | 10,3  | 8,9   | 7,2   |
| 16,0 | -     | -     | 11,0  | 11,1  | 11,0  | 10,5  | 10,5  | 10,1  | 9,7   | 8,6   | 7,2   |
| 18,0 | -     | -     | -     | 9,2   | 9,1   | 8,8   | 9,1   | 8,3   | 8,4   | 8,0   | 7,2   |
| 20,0 | -     | -     | -     | 7,7   | 7,6   | 8,0   | 7,6   | 7,1   | 7,0   | 7,3   | 6,7   |
| 22,0 | -     | -     | -     | -     | 6,5   | 6,8   | 6,5   | 6,6   | 6,1   | 6,1   | 6,3   |
| 24,0 | -     | -     | -     | -     | 5,5   | 5,9   | 5,5   | 5,7   | 5,6   | 5,5   | 5,4   |
| 26,0 | -     | -     | -     | -     | -     | 5,1   | 4,8   | 4,9   | 5,0   | 4,9   | 4,6   |
| 28,0 | -     | -     | -     | -     | -     | -     | 3,7   | 4,1   | 4,3   | 4,2   | 4,0   |
| 30,0 | -     | -     | -     | -     | -     | -     | -     | 3,6   | 3,9   | 3,8   | 3,4   |
| 32,0 | -     | -     | -     | -     | -     | -     | -     | 3,1   | 3,6   | 3,4   | 2,9   |
| 34,0 | -     | -     | -     | -     | -     | -     | -     | -     | 3,2   | 3,0   | 2,5   |
| 36,0 | -     | -     | -     | -     | -     | -     | -     | -     | 1,6   | 2,6   | 2,1   |
| 38,0 | -     | -     | -     | -     | -     | -     | -     | -     | -     | 2,3   | 2,1   |
| 40,0 | -     | -     | -     | -     | -     | -     | -     | -     | -     | 1,1   | 1,5   |
| 42,0 | -     | -     | -     | -     | -     | -     | -     | -     | -     | -     | 1,3   |
| 44,0 | -     | -     | -     | -     | -     | -     | -     | -     | -     | -     | 1,0   |
| 46,0 | -     | -     | -     | -     | -     | -     | -     | -     | -     | -     | 0,8   |

# Manitowoc

## Grove GMK4080-1



### NEED ADVICE?

We have experienced staff who can help you. We can visit your site to discuss your needs.

**+44 (0) 1902 405553**

+44 (0) 1902 402223





SCAN ME

## 90 TONNE ALL TERRAIN CRANE (LIEBHERR LTM 1090-4.1)

### SHORT BOOM

| <b>EN</b> <span style="border: 1px solid black; padding: 2px;">BALLAST AS CARRIED FOR UK ROAD TRAVEL.</span> |        |        |        |        |        |      |        |        |        |        |        |      |     |
|--|--------|--------|--------|--------|--------|------|--------|--------|--------|--------|--------|------|-----|
| m  | 11,1 m | 14,7 m | 18,3 m | 21,9 m | 25,4 m | 29 m | 32,6 m | 36,2 m | 39,7 m | 43,3 m | 46,9 m | 50 m | m   |
| 3  | 63,3   | 63,3   | 63     | 52,5   |        |      |        |        |        |        |        |      | 3   |
| 3,5  | 61,6   | 61,8   | 61,4   | 51,5   | 42,1   |      |        |        |        |        |        |      | 3,5 |
| 4  | 56,8   | 56,8   | 56,6   | 50,5   | 41,4   | 34,1 |        |        |        |        |        |      | 4   |
| 4,5  | 52,4   | 52,7   | 52,6   | 49,4   | 40,8   | 33,7 |        |        |        |        |        |      | 4,5 |
| 5  | 48,6   | 48,8   | 48,8   | 48     | 40,1   | 33,3 | 27,4   |        |        |        |        |      | 5   |
| 6  | 41,9   | 42,1   | 42,2   | 42,6   | 38,3   | 32,2 | 26,4   | 22     |        |        |        |      | 6   |
| 7  | 35,6   | 36,2   | 36,5   | 36,4   | 35,6   | 30,8 | 25,4   | 21,7   | 17,6   |        |        |      | 7   |
| 8  | 30,7   | 31,2   | 31,5   | 31,5   | 30,6   | 29,1 | 24     | 21,1   | 17,4   | 14     |        |      | 8   |
| 9  | 26,5   | 27,1   | 27,4   | 27,3   | 26,9   | 25,5 | 22,3   | 20     | 16,9   | 13,8   | 10,9   |      | 9   |
| 10   |        | 23,2   | 23,5   | 23,9   | 23,5   | 22,3 | 20,6   | 18,7   | 16,1   | 13,4   | 10,8   | 9    | 10  |
| 11   |        | 20,1   | 20,2   | 20,8   | 20,7   | 19,7 | 18,7   | 17,5   | 15,3   | 12,9   | 10,5   | 9    | 11  |
| 12   |        | 17,5   | 18,1   | 18,1   | 18     | 17,6 | 17     | 16,1   | 14,5   | 12,3   | 10,2   | 8,8  | 12  |
| 14   |        |        | 14,2   | 14,3   | 14,2   | 14   | 13,9   | 13,1   | 12,9   | 11,2   | 9,5    | 8,4  | 14  |
| 16   |        |        | 11,5   | 11,6   | 11,5   | 11,5 | 11,6   | 11,3   | 10,8   | 10,3   | 8,8    | 7,8  | 16  |
| 18   |        |        |        | 9,7    | 9,6    | 9,9  | 9,7    | 9,4    | 9,2    | 9,1    | 8,2    | 7,2  | 18  |
| 20   |        |        |        |        | 8,6    | 8,4  | 8,3    | 8,2    | 8,1    | 7,8    | 7,6    | 6,7  | 20  |
| 22   |        |        |        |        | 7,4    | 7,2  | 7,2    | 7,2    | 7      | 6,9    | 6,8    | 6,2  | 22  |
| 24   |        |        |        |        |        | 6,3  | 6,4    | 6,2    | 6,2    | 6,2    | 5,9    | 5,7  | 24  |
| 26   |        |        |        |        |        |      | 5,6    | 5,6    | 5,5    | 5,4    | 5,1    | 5    | 26  |
| 28   |        |        |        |        |        |      | 5      | 5      | 4,8    | 4,7    | 4,3    | 4,3  | 28  |
| 30   |        |        |        |        |        |      | 4,4    | 4,4    | 4,2    | 4,1    | 3,8    | 3,7  | 30  |
| 32   |        |        |        |        |        |      |        | 3,9    | 3,7    | 3,5    | 3,3    | 3,3  | 32  |
| 34   |        |        |        |        |        |      |        |        | 3,4    | 3,2    | 3,1    | 2,8  | 34  |
| 36   |        |        |        |        |        |      |        |        |        | 2,8    | 2,7    | 2,4  | 36  |
| 38   |        |        |        |        |        |      |        |        |        |        | 2,3    | 2    | 38  |
| 40   |        |        |        |        |        |      |        |        |        |        |        | 1,7  | 40  |
| 42   |        |        |        |        |        |      |        |        |        |        |        | 1,5  | 42  |
| 44   |        |        |        |        |        |      |        |        |        |        |        | 1,2  | 44  |
| 46   |        |        |        |        |        |      |        |        |        |        |        | 1    | 46  |

t\_207\_00306\_00\_000

**NEED ADVICE?**

We have experienced staff who can help you. We can visit your site to discuss your needs.  
+44 (0) 1902 405553

# LIEBHERR LTM 1090-4.1

| <b>EN</b> <span style="border: 1px solid black; padding: 2px;">REQUIRES EXTRA BALLAST DELIVERY BY TRANSPORT.</span> |        |        |        |        |        |      |        |        |        |        |        |      |     |    |
|---|--------|--------|--------|--------|--------|------|--------|--------|--------|--------|--------|------|-----|----|
| m   | 11,1 m | 14,7 m | 18,3 m | 21,9 m | 25,4 m | 29 m | 32,6 m | 36,2 m | 39,7 m | 43,3 m | 46,9 m | 50 m | m   |    |
| 3   | 90     | 63,3   | 63,3   | 63     | 52,5   |      |        |        |        |        |        |      | 3   |    |
| 3,5   | 74,9   | 61,7   | 61,9   | 61,5   | 51,5   | 42,1 |        |        |        |        |        |      | 3,5 |    |
| 4   | 63,3   | 57     | 57,1   | 56,9   | 50,5   | 41,4 | 34,1   |        |        |        |        |      | 4   |    |
| 4,5   | 59,3   | 52,6   | 52,9   | 52,9   | 49,4   | 40,8 | 33,7   |        |        |        |        |      | 4,5 |    |
| 5   | 55,6   | 48,8   | 49     | 49     | 48     | 40,1 | 33,3   | 27,4   |        |        |        |      | 5   |    |
| 6   | 47,5   | 42,3   | 42,6   | 42,6   | 42,7   | 38,3 | 32,2   | 26,4   | 22     |        |        |      | 6   |    |
| 7   | 39,9   | 36,8   | 37,4   | 37,2   | 37,6   | 36,3 | 30,8   | 25,4   | 21,7   | 17,6   |        |      | 7   |    |
| 8   | 34     | 31,7   | 32,3   | 32,6   | 32,6   | 32,4 | 29,5   | 24     | 21,1   | 17,4   | 14     |      | 8   |    |
| 9   | 27,5   | 27,3   | 28,3   | 28,6   | 28,5   | 28,4 | 27,7   | 22,3   | 20     | 16,9   | 13,8   | 10,9 | 9   |    |
| 10  |        |        | 25     | 25,2   | 25,2   | 25,7 | 24,8   | 20,7   | 18,7   | 16,1   | 13,4   | 10,8 | 9   | 10 |
| 11  |        |        | 22     | 22,3   | 22,4   | 22,7 | 22     | 19,3   | 17,5   | 15,3   | 12,9   | 10,5 | 9   | 11 |
| 12  |        |        | 19,4   | 19,5   | 20,1   | 20   | 19,6   | 17,9   | 16,5   | 14,5   | 12,3   | 10,2 | 8,8 | 12 |
| 14  |        |        |        | 15,8   | 15,9   | 15,8 | 15,5   | 15,2   | 14,5   | 13     | 11,2   | 9,5  | 8,4 | 14 |
| 16  |        |        |        | 12,9   | 13     | 12,9 | 12,6   | 12,3   | 11,6   | 10,3   | 8,8    | 7,8  | 7,2 | 16 |
| 18  |        |        |        |        | 10,9   | 10,7 | 10,5   | 10,8   | 10,5   | 10,3   | 9,4    | 8,2  | 7,2 | 18 |
| 20  |        |        |        |        |        | 9,1  | 9,4    | 9,2    | 8,9    | 8,7    | 8,6    | 7,6  | 6,7 | 20 |
| 22  |        |        |        |        |        | 8    | 8,2    | 7,9    | 7,6    | 7,7    | 7,6    | 7    | 6,2 | 22 |
| 24  |        |        |        |        |        |      | 7,1    | 7      | 7      | 6,8    | 6,5    | 6,5  | 5,8 | 24 |
| 26  |        |        |        |        |        |      | 6,3    | 6,2    | 6,2    | 6      | 5,9    | 5,9  | 5,4 | 26 |
| 28  |        |        |        |        |        |      |        | 5,7    | 5,5    | 5,5    | 5,4    | 5,2  | 5,1 | 28 |
| 30  |        |        |        |        |        |      |        | 5,1    | 4,9    | 4,9    | 4,8    | 4,5  | 4,5 | 30 |
| 32  |        |        |        |        |        |      |        |        | 4,5    | 4,4    | 4,2    | 4    | 4   | 32 |
| 34  |        |        |        |        |        |      |        |        |        | 4,1    | 3,9    | 3,7  | 3,5 | 34 |
| 36  |        |        |        |        |        |      |        |        |        |        | 3,4    | 3,3  | 3,1 | 36 |
| 38  |        |        |        |        |        |      |        |        |        |        |        | 2,9  | 2,6 | 38 |
| 40  |        |        |        |        |        |      |        |        |        |        |        | 2,3  | 2,3 | 40 |
| 42  |        |        |        |        |        |      |        |        |        |        |        | 2    | 2   | 42 |
| 44  |        |        |        |        |        |      |        |        |        |        |        | 1,7  | 1,7 | 44 |
| 46  |        |        |        |        |        |      |        |        |        |        |        | 1,5  | 1,5 | 46 |

\* nach hinten - over rear - en arrière - sul posteriore - hacia atrás - стрела повернута назад

t\_207\_00001\_00\_001 / 00301\_00\_000



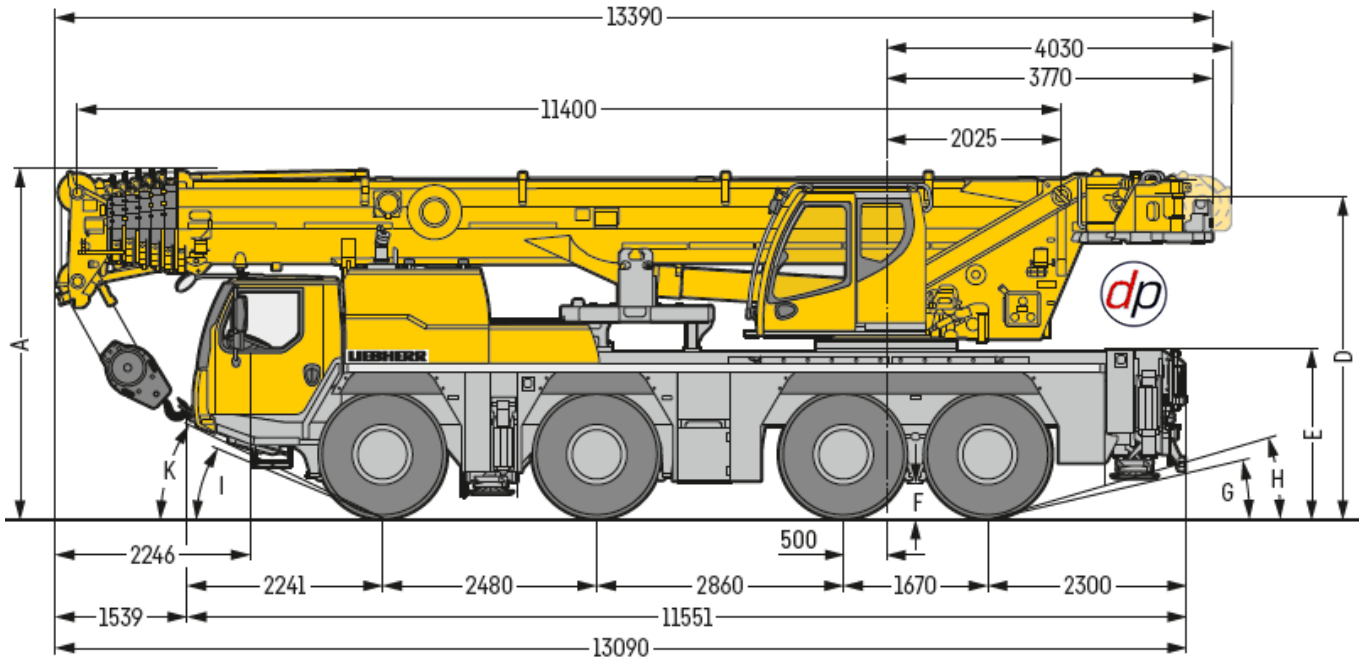




SCAN ME

## 90 TONNE ALL TERRAIN CRANE (LIEBHERR LTM 1090-4.2)

### LONG BOOM



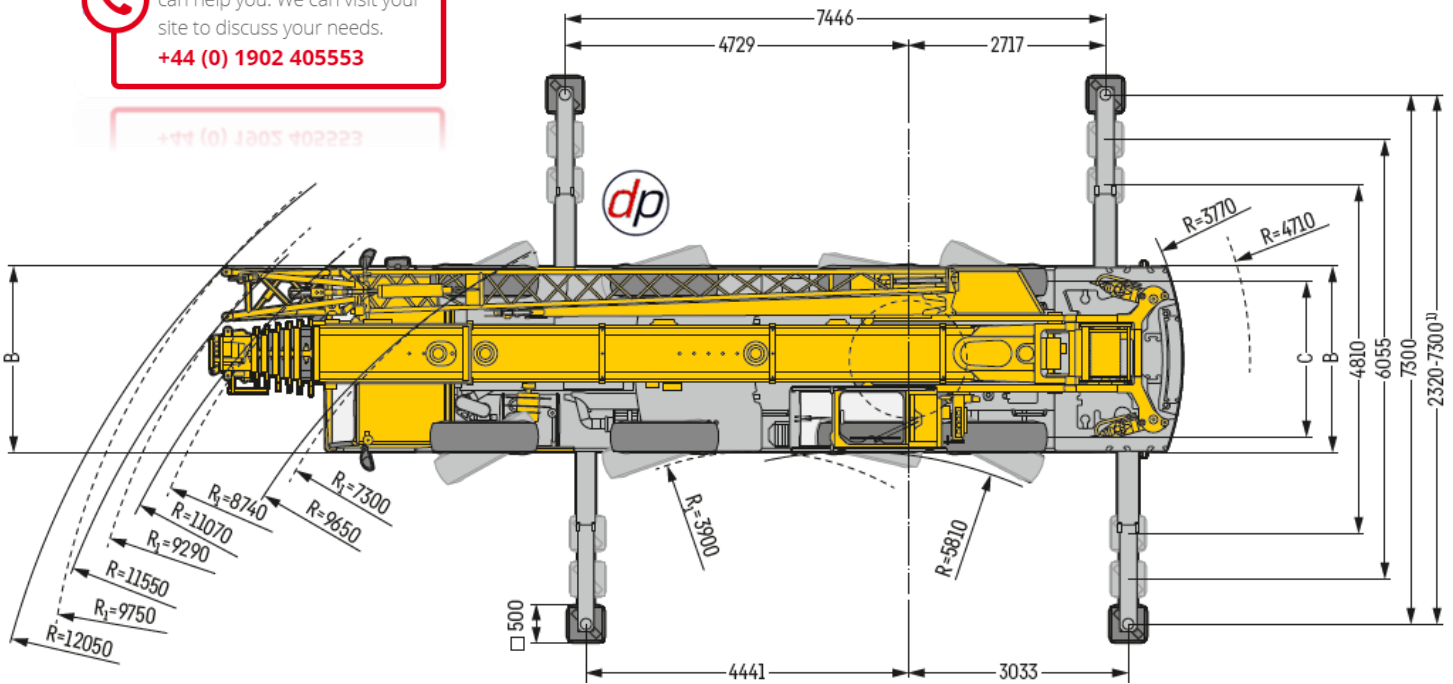
#### NEED ADVICE?

We have experienced staff who can help you. We can visit your site to discuss your needs.

+44 (0) 1902 405553

+44 (0) 1902 405553

### LTM 1090-4.2 LIEBHERR



Dimensions

S3087.05

|                          | A    | A<br>100 mm* | B    | C    | D    | E    | F   | G   | H   | I   | K   |
|--------------------------|------|--------------|------|------|------|------|-----|-----|-----|-----|-----|
| 385/95 R 25 (14.00 R 25) | 3950 | 3850         | 2550 | 2160 | 3644 | 1866 | 353 | 11° | 18° | 20° | 26° |
| 445/95 R 25 (16.00 R 25) | 4000 | 3900         | 2550 | 2100 | 3694 | 1916 | 403 | 13° | 19° | 22° | 27° |
| 525/80 R 25 (20.5 R 25)  | 4000 | 3900         | 2690 | 2170 | 3694 | 1916 | 403 | 13° | 19° | 22° | 27° |

\* lowered



SCAN ME

## 90 TONNE ALL TERRAIN CRANE (LIEBHERR LTM 1090-4.2)

### LONG BOOM



# LTM 1090-4.2 LIEBHERR

|     | 11,4 m | 15,1 m | 18,9 m | 22,6 m | 26,3 m | 30 m | 33,8 m | 37,5 m | 41,2 m | 44,9 m | 48,7 m | 52,4 m | 55,6 m | 56,1 m | 59,4 m | 60 m |     |     |
|-----|--------|--------|--------|--------|--------|------|--------|--------|--------|--------|--------|--------|--------|--------|--------|------|-----|-----|
| 3   | 90     | 59,2   | 59,2   | 59,2   | 48     |      |        |        |        |        |        |        |        |        |        |      | 3   |     |
| 3,5 | 59,2   | 59,2   | 58,2   | 56,3   | 48     | 36,6 |        |        |        |        |        |        |        |        |        |      | 3,5 |     |
| 4   | 55,6   | 54,9   | 53,2   | 51     | 47,5   | 36,6 |        |        |        |        |        |        |        |        |        |      | 4   |     |
| 4,5 | 50,9   | 50,5   | 49     | 46,8   | 45,3   | 36,6 | 30,4   |        |        |        |        |        |        |        |        |      | 4,5 |     |
| 5   | 47,6   | 46,7   | 45,4   | 43,1   | 41,7   | 36,3 | 30     | 24,5   |        |        |        |        |        |        |        |      | 5   |     |
| 6   | 42     | 40,3   | 40,2   | 38,3   | 36,7   | 35,1 | 28,8   | 23,8   | 19,3   |        |        |        |        |        |        |      | 6   |     |
| 7   | 36,6   | 35,3   | 35,8   | 34,4   | 33,6   | 32,3 | 27,6   | 22,9   | 19,1   | 15,2   |        |        |        |        |        |      | 7   |     |
| 8   | 31,6   | 30,9   | 31,4   | 31,1   | 30,5   | 29,2 | 26,4   | 22,1   | 18,9   | 15,1   | 11,7   |        |        |        |        |      | 8   |     |
| 9   | 27,1   | 27     | 27,6   | 27,9   | 27,7   | 26,7 | 25     | 21,3   | 18,6   | 15     | 11,5   | 9,2    |        |        |        |      | 9   |     |
| 10  |        |        | 24,4   | 24,7   | 24,7   | 24,4 | 23,5   | 20,5   | 18,1   | 14,4   | 11,2   | 9      | 7,3    | 4,9    | 5,3    |      | 10  |     |
| 11  |        |        | 21,6   | 22     | 22     | 21,9 | 22,1   | 19,7   | 17,1   | 13,8   | 10,8   | 8,8    | 7,1    | 4,9    | 5,3    | 4,2  | 4,1 | 11  |
| 12  |        |        | 19,5   | 19,6   | 19,7   | 19,6 | 19,9   | 18,9   | 16,1   | 13,3   | 10,4   | 8,5    | 7      | 4,8    | 5,2    | 4,2  | 4,1 | 12  |
| 14  |        |        |        | 16,1   | 16,3   | 16,4 | 16,2   | 16     | 14,3   | 12,2   | 9,4    | 8      | 6,7    | 4,7    | 5      | 4,2  | 4,1 | 14  |
| 16  |        |        |        | 13,6   | 13,8   | 13,7 | 13,5   | 13,3   | 12,7   | 11,3   | 8,5    | 7,3    | 5,9    | 4,5    | 4,8    | 4,1  | 4   | 16  |
| 18  |        |        |        |        | 11,6   | 11,6 | 11,4   | 11,1   | 10,7   | 10,4   | 7,6    | 6,7    | 5,4    | 4,2    | 4,6    | 4    | 3,9 | 18  |
| 20  |        |        |        |        | 9,9    | 9,8  | 9,6    | 9,3    | 9,6    | 9,3    | 6,9    | 6,1    | 5      | 4      | 4,3    | 3,8  | 3,7 | 20  |
| 22  |        |        |        |        |        | 8,4  | 8,2    | 8,5    | 8,3    | 7,9    | 6,3    | 5,5    | 4,6    | 3,7    | 4,1    | 3,6  | 3,6 | 22  |
| 24  |        |        |        |        |        | 7,3  | 7,3    | 7,4    | 7,1    | 6,8    | 5,9    | 5      | 4,3    | 3,5    | 3,8    | 3,4  | 3,4 | 24  |
| 26  |        |        |        |        |        |      | 6,7    | 6,5    | 6,1    | 5,8    | 5,5    | 4,6    | 4      | 3,3    | 3,6    | 3,2  | 3,2 | 26  |
| 28  |        |        |        |        |        |      |        | 5,6    | 5,3    | 5,1    | 5,1    | 4,2    | 3,8    | 3,1    | 3,4    | 3    | 3   | 28  |
| 30  |        |        |        |        |        |      |        | 4,9    | 4,6    | 4,8    | 4,5    | 3,9    | 3,5    | 2,9    | 3,2    | 2,9  | 2,9 | 30  |
| 32  |        |        |        |        |        |      |        |        | 4,3    | 4,2    | 4      | 3,8    | 3,3    | 2,7    | 3,1    | 2,7  | 2,7 | 32  |
| 34  |        |        |        |        |        |      |        |        | 4      | 3,8    | 3,5    | 3,5    | 3,1    | 2,6    | 2,9    | 2,6  | 2,6 | 34  |
| 36  |        |        |        |        |        |      |        |        |        | 3,4    | 3,3    | 3,2    | 2,9    | 2,4    | 2,7    | 2,5  | 2,4 | 36  |
| 38  |        |        |        |        |        |      |        |        |        | 3,1    | 3,1    | 2,9    | 2,8    | 2,3    | 2,6    | 2,3  | 2,3 | 38  |
| 40  |        |        |        |        |        |      |        |        |        |        | 2,8    | 2,7    | 2,6    | 2,1    | 2,4    | 2,2  | 2,2 | 40  |
| 42  |        |        |        |        |        |      |        |        |        |        |        | 2,5    | 2,5    | 2,3    | 2      | 2,2  | 2,1 | 42  |
| 44  |        |        |        |        |        |      |        |        |        |        |        |        | 2,2    | 2,2    | 1,9    | 2    | 1,9 | 44  |
| 46  |        |        |        |        |        |      |        |        |        |        |        |        |        | 2      | 1,9    | 1,8  | 1,8 | 46  |
| 48  |        |        |        |        |        |      |        |        |        |        |        |        |        |        | 1,7    | 1,7  | 1,6 | 48  |
| 50  |        |        |        |        |        |      |        |        |        |        |        |        |        |        |        | 1,6  | 1,4 | 50  |
| 52  |        |        |        |        |        |      |        |        |        |        |        |        |        |        |        |      | 1,4 | 52  |
| 54  |        |        |        |        |        |      |        |        |        |        |        |        |        |        |        |      |     | 54  |
| 56  |        |        |        |        |        |      |        |        |        |        |        |        |        |        |        |      | 1   | 56  |
|     |        |        |        |        |        |      |        |        |        |        |        |        |        |        |        |      | 0,8 | 0,8 |

# All-Rounder – Ready for anything

## LTM 1090-4.2

• Mobile crane

# LIEBHERR

Mobile cranes

**NEED ADVICE?**  
We have experienced staff who can help you. We can visit your site to discuss your needs.  
**+44 (0) 1902 405553**

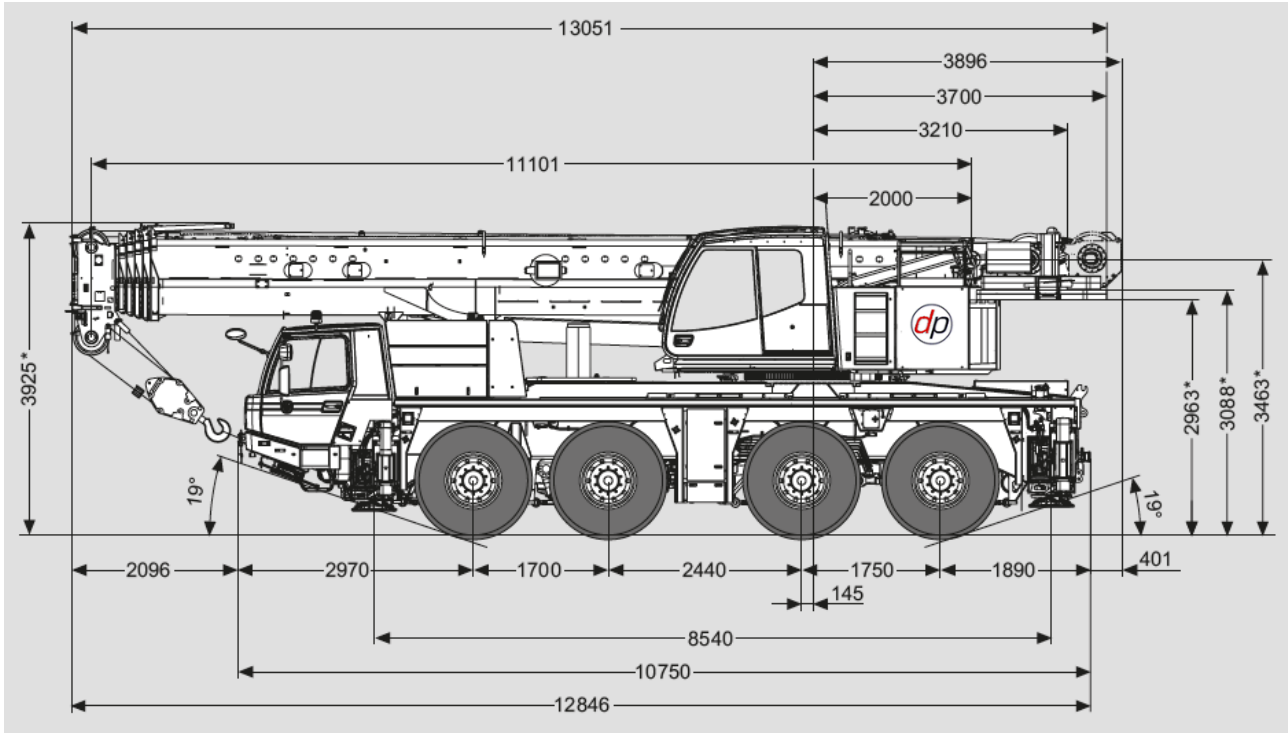
+44 (0) 1902 405553





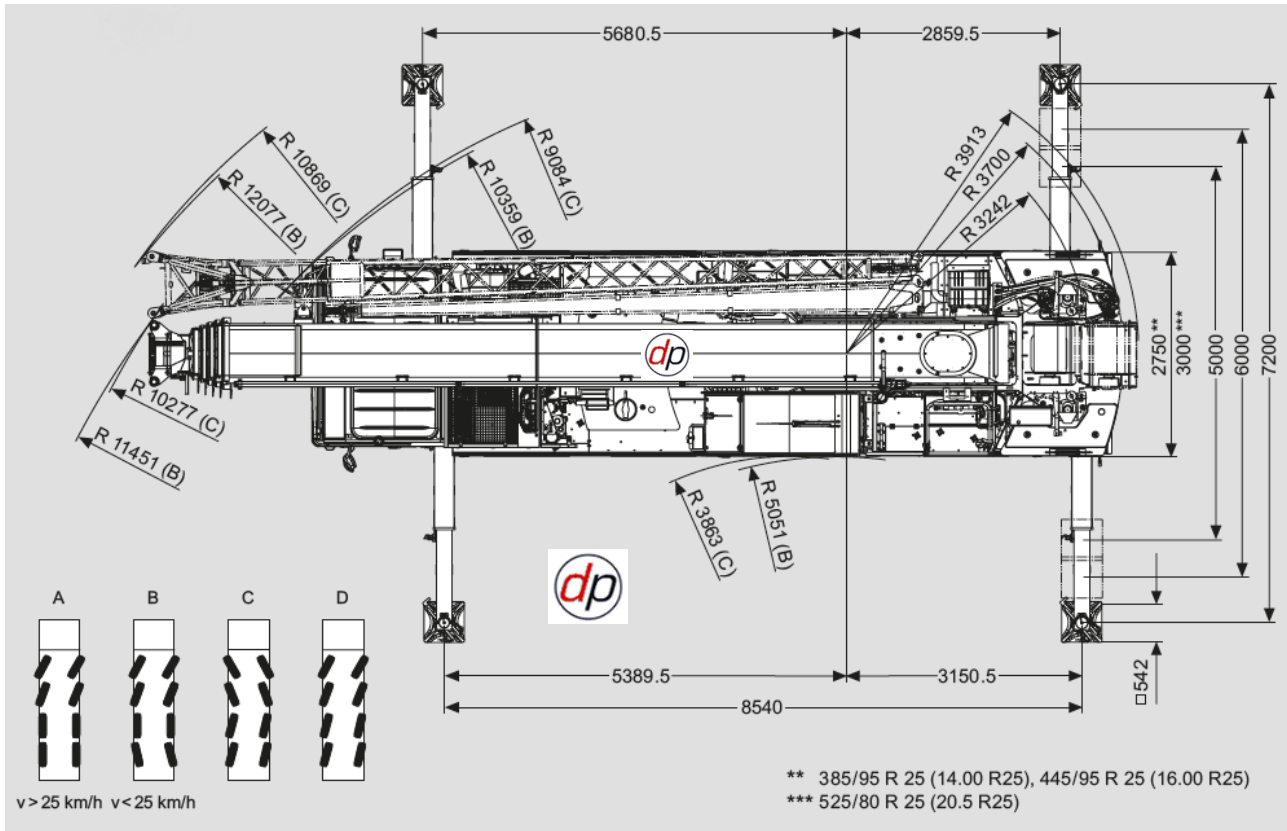
SCAN ME

## 100 TONNE ALL TERRAIN CRANE – (TADANO ATF 100G-4)



**NEED ADVICE?**  
We have experienced staff who can help you. We can visit your site to discuss your needs.  
+44 (0) 1902 405553

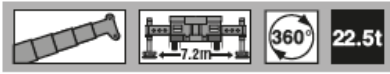
# TADANO ATF 100G-4





SCAN ME

## 100 TONNE ALL TERRAIN CRANE – (TADANO FAUN ATF 100G-4)



**BALLAST AS CARRIED FOR UK ROAD TRAVEL.**

| m    | 11.1 m* | 11.1 m | 14.8 m | 18.5 m | 22.1 m | 25.8 m | 29.5 m | 33.2 m | 36.9 m | 40.5 m | 44.2 m | 47.9 m | 51.2 m |
|------|---------|--------|--------|--------|--------|--------|--------|--------|--------|--------|--------|--------|--------|
| 2.3  | 100.0   |        |        |        |        |        |        |        |        |        |        |        |        |
| 2.5  | 90.0    |        |        |        |        |        |        |        |        |        |        |        |        |
| 3.0  | 81.6    | 76.1   | 65.0   | 65.0   |        |        |        |        |        |        |        |        |        |
| 3.5  | 74.6    | 69.9   | 65.0   | 65.0   | 50.0   |        |        |        |        |        |        |        |        |
| 4.0  | 68.3    | 64.1   | 63.5   | 61.4   | 50.0   | 41.3   |        |        |        |        |        |        |        |
| 4.5  | 62.7    | 59.0   | 58.5   | 56.7   | 50.0   | 41.3   |        |        |        |        |        |        |        |
| 5.0  | 57.8    | 54.6   | 54.0   | 52.7   | 50.0   | 39.2   | 31.6   |        |        |        |        |        |        |
| 6.0  | 50.0    | 47.2   | 46.6   | 46.8   | 45.9   | 34.9   | 31.6   | 23.8   |        |        |        |        |        |
| 7.0  | 42.5    | 41.2   | 40.7   | 40.8   | 40.8   | 33.0   | 28.9   | 23.8   | 19.7   | 15.8   |        |        |        |
| 8.0  | 36.6    | 35.5   | 35.4   | 35.5   | 35.8   | 31.1   | 28.5   | 23.8   | 19.7   | 15.8   | 12.9   |        |        |
| 9.0  | 24.9    | 24.0   | 31.2   | 31.4   | 31.6   | 29.4   | 28.5   | 22.6   | 19.7   | 15.8   | 12.9   | 10.2   |        |
| 10.0 |         |        | 26.7   | 26.9   | 27.3   | 28.0   | 27.0   | 20.9   | 19.6   | 15.8   | 12.9   | 10.2   | 8.9    |
| 11.0 |         |        | 22.7   | 23.4   | 24.7   | 24.9   | 24.0   | 19.4   | 18.2   | 15.8   | 12.9   | 10.2   | 8.9    |
| 12.0 |         |        | 20.0   | 21.9   | 21.9   | 21.7   | 21.3   | 18.0   | 17.0   | 15.8   | 12.9   | 10.2   | 8.9    |
| 14.0 |         |        |        | 17.2   | 17.3   | 17.0   | 16.6   | 16.2   | 14.9   | 14.1   | 12.9   | 10.2   | 8.9    |
| 16.0 |         |        |        | 14.0   | 14.1   | 13.8   | 13.4   | 13.9   | 13.0   | 12.6   | 11.8   | 10.2   | 8.9    |
| 18.0 |         |        |        |        | 11.7   | 11.5   | 11.1   | 11.5   | 11.7   | 10.8   | 10.8   | 10.0   | 8.9    |
| 20.0 |         |        |        |        | 9.2    | 9.7    | 9.3    | 9.7    | 9.9    | 9.5    | 9.5    | 9.1    | 8.5    |
| 22.0 |         |        |        |        |        | 8.3    | 8.4    | 8.3    | 8.5    | 8.6    | 8.4    | 8.1    | 7.6    |
| 24.0 |         |        |        |        |        |        | 7.8    | 7.2    | 7.7    | 7.4    | 7.3    | 7.0    | 6.9    |
| 26.0 |         |        |        |        |        |        |        | 6.5    | 6.7    | 6.5    | 6.3    | 6.0    | 6.0    |
| 28.0 |         |        |        |        |        |        |        | 6.0    | 5.9    | 5.7    | 5.5    | 5.2    | 5.2    |
| 30.0 |         |        |        |        |        |        |        | 5.3    | 5.2    | 5.0    | 4.8    | 4.5    | 4.5    |
| 32.0 |         |        |        |        |        |        |        |        | 4.7    | 4.4    | 4.3    | 3.9    | 3.9    |
| 34.0 |         |        |        |        |        |        |        |        | 4.2    | 3.9    | 3.7    | 3.4    | 3.4    |
| 36.0 |         |        |        |        |        |        |        |        |        | 3.5    | 3.3    | 3.0    | 3.0    |
| 38.0 |         |        |        |        |        |        |        |        |        | 3.1    | 2.9    | 2.6    | 2.6    |
| 40.0 |         |        |        |        |        |        |        |        |        |        | 2.6    | 2.2    | 2.2    |
| 42.0 |         |        |        |        |        |        |        |        |        |        | 2.3    | 1.9    | 1.9    |
| 44.0 |         |        |        |        |        |        |        |        |        |        |        | 1.7    | 1.6    |
| 46.0 |         |        |        |        |        |        |        |        |        |        |        |        | 1.4    |
| 48.0 |         |        |        |        |        |        |        |        |        |        |        |        | 1.2    |

\* Nach hinten / \* Over rear / \* A l'arrière / \* Sobre la parte trasera



**NEED ADVICE?**  
We have experienced staff who can help you. We can visit your site to discuss your needs.  
**+44 (0) 1902 405553**

+44 (0) 1902 405553

**TADANO**  
**ATF 100G-4**

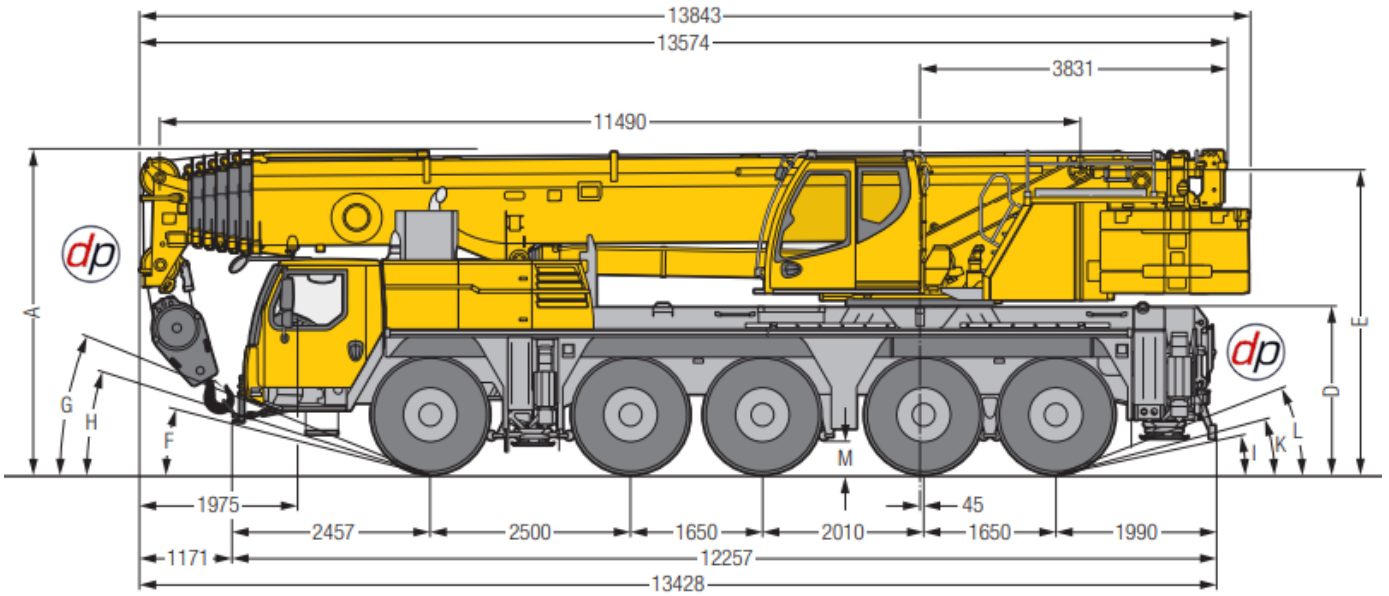






SCAN ME

## 110 TONNE ALL TERRAIN CRANE (LIEBHERR LTM 1110-5.1)



R<sub>s</sub> = Allradlenkung · All-wheel steering · Direction toutes roues · Tutti gli assi sterzanti · Dirección en todos los ejes · Поворот всеми колесами  
\* nur mit VarioBase® · only with VarioBase® · seulement avec VarioBase® · solo con VarioBase® · sólo con VarioBase® · только с VarioBase®

### Dimensions

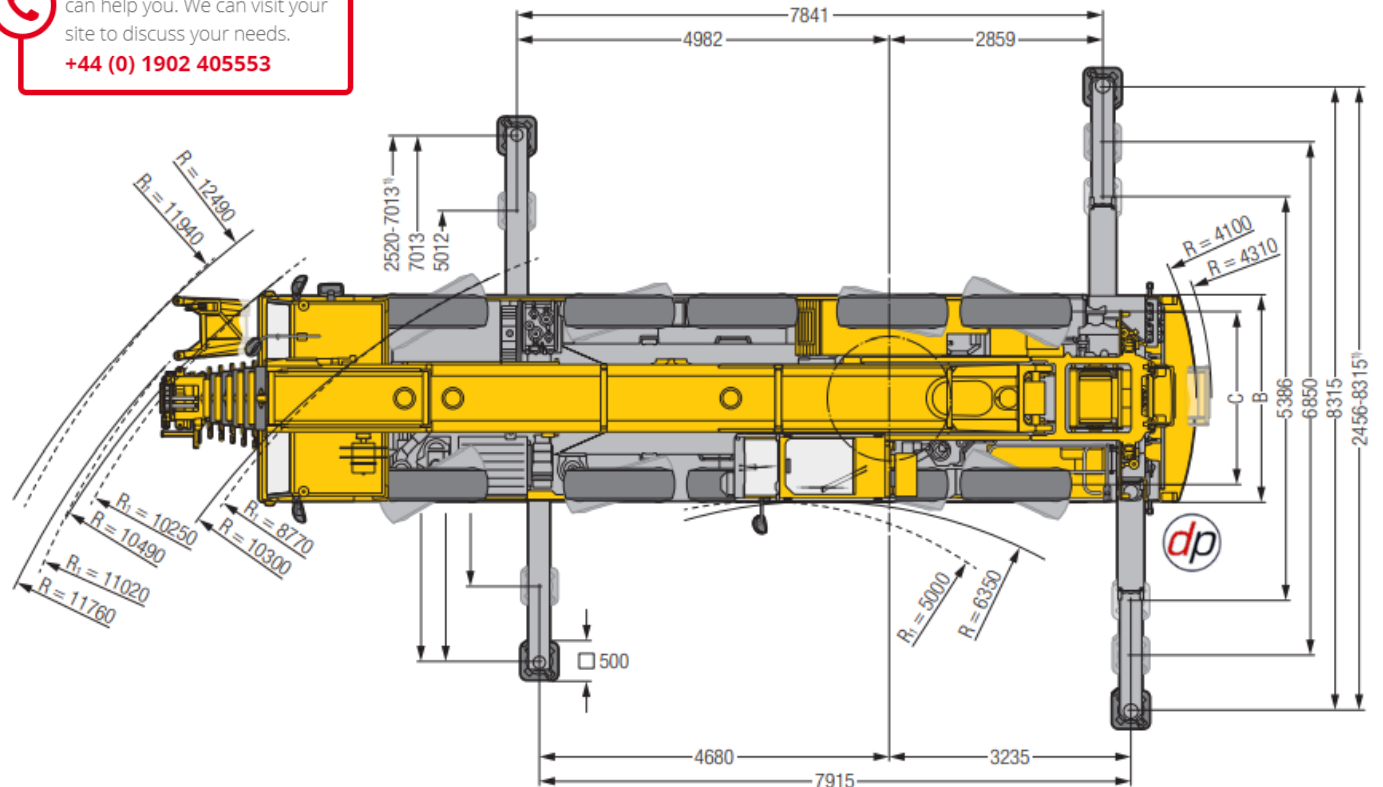
|                          | A    | A       | B    | C    | D    | E    | F   | G   | H   | I   | K   | L   | M   |
|--------------------------|------|---------|------|------|------|------|-----|-----|-----|-----|-----|-----|-----|
|                          |      | 125 mm* |      |      |      |      |     |     |     |     |     |     |     |
| 385/95 R 25 (14.00 R 25) | 3950 | 3825    | 2750 | 2360 | 2000 | 3710 | 13° | 21° | 15° | 11° | 13° | 20° | 335 |
| 445/95 R 25 (16.00 R 25) | 4000 | 3875    | 2750 | 2300 | 2050 | 3760 | 14° | 23° | 17° | 12° | 15° | 21° | 385 |
| 525/80 R 25 (20.5 R 25)  | 4000 | 3875    | 2850 | 2320 | 2050 | 3760 | 14° | 23° | 17° | 12° | 15° | 21° | 385 |

\* abgesenkt · lowered · abaissé · abbassato · suspensión abajo · шасси опущено

### NEED ADVICE?

We have experienced staff who can help you. We can visit your site to discuss your needs.

+44 (0) 1902 405553

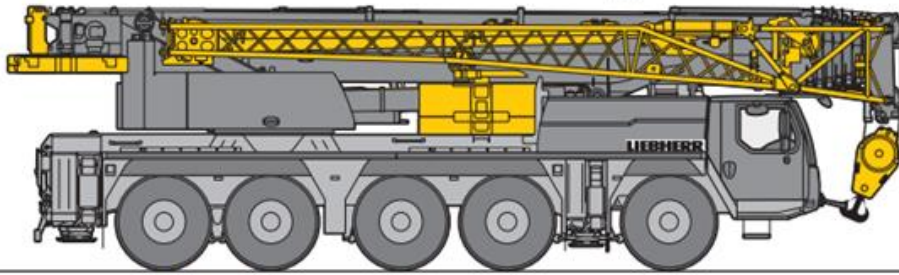




SCAN ME

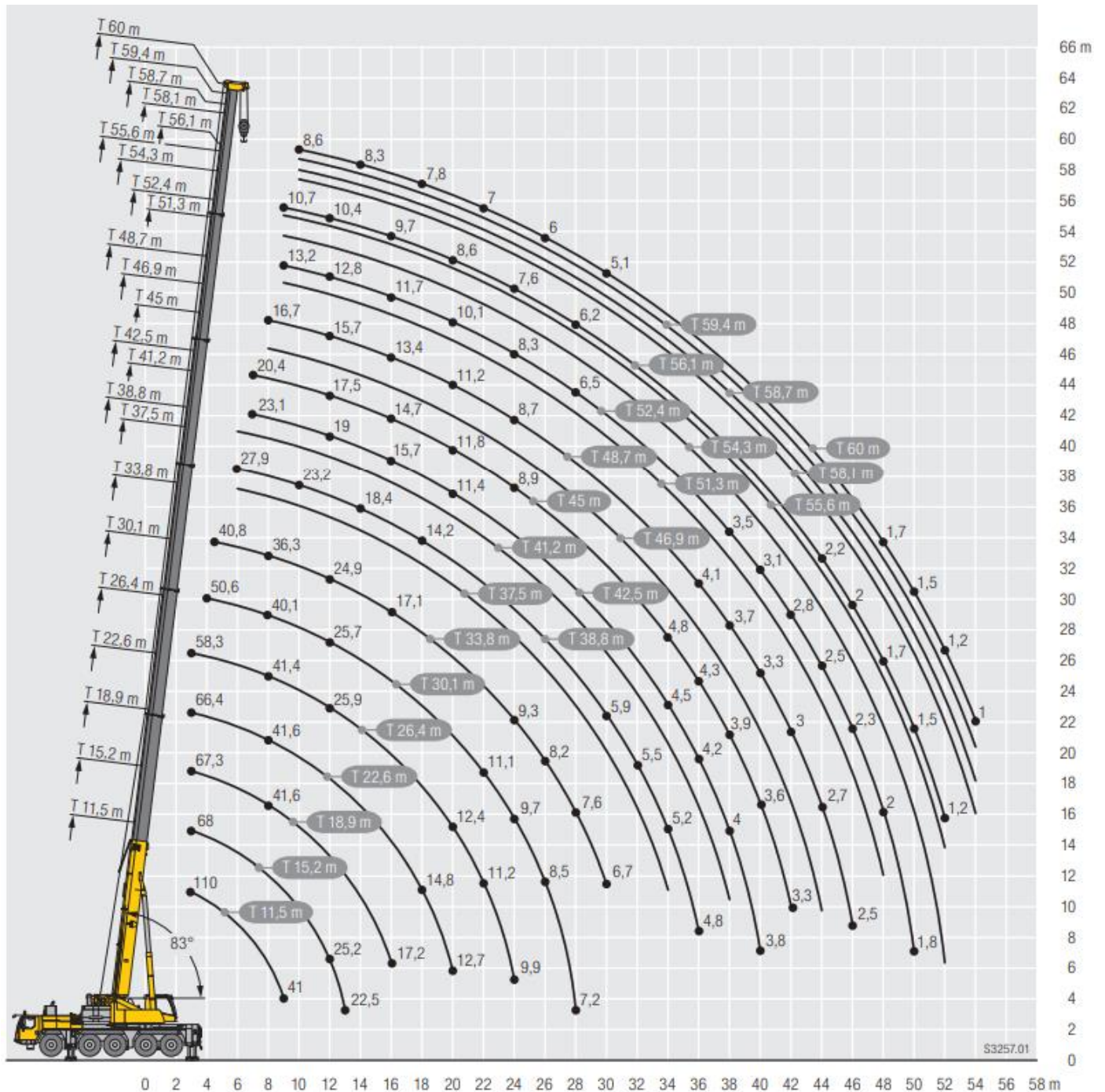
# 110 TONNE ALL TERRAIN CRANE (LIEBHERR LTM 1110-5.1)

## Jobsite driving



≤ 16 t    ≤ 16 t    ≤ 16 t    ≤ 16 t    ≤ 16 t

S3271.01



0 2 4 6 8 10 12 14 16 18 20 22 24 26 28 30 32 34 36 38 40 42 44 46 48 50 52 54 56 58 m

S3257.01







SCAN ME

## 110 TONNE ALL TERRAIN CRANE (LIEBHERR LTM 1110-5.1)

# LIEBHERR LTM 1110-5.1



### NEED ADVICE?

We have experienced staff who can help you. We can visit your site to discuss your needs.

+44 (0) 1902 405553



€COmode

Prepared for every task



+44 (0) 1902 405553

|     | 11,5 | 15,2 | 18,9 | 22,6 | 26,4 | 30,1 | 33,8 | 37,5 | 38,8 | 41,2 | 42,5 | 45   | 46,9 | 48,7 | 51,3 | 52,4 | 54,3 | 55,6 | 56,1 | 58,1 | 58,7 | 59,4 | 60  |     |    |
|-----|------|------|------|------|------|------|------|------|------|------|------|------|------|------|------|------|------|------|------|------|------|------|-----|-----|----|
|     | m    |      |      |      |      |      |      |      |      |      |      |      |      |      |      |      |      |      |      |      |      |      |     |     |    |
| 3   | 110  | 69,5 | 68   | 67,3 | 66,4 | 58,3 |      |      |      |      |      |      |      |      |      |      |      |      |      |      |      |      |     | 3   |    |
| 3,5 | 98,9 | 69,5 | 68,6 | 67,9 | 66,8 | 60   |      |      |      |      |      |      |      |      |      |      |      |      |      |      |      |      |     | 3,5 |    |
| 4   | 83   | 69,5 | 68,9 | 68,4 | 66,5 | 60,3 | 50,6 |      |      |      |      |      |      |      |      |      |      |      |      |      |      |      |     | 4   |    |
| 4,5 | 78,2 | 69,5 | 69   | 68,7 | 66,9 | 59,9 | 50,7 | 40,8 |      |      |      |      |      |      |      |      |      |      |      |      |      |      |     | 4,5 |    |
| 5   | 73,8 | 66,7 | 66   | 65,7 | 65,2 | 59,7 | 50,3 | 41   |      |      |      |      |      |      |      |      |      |      |      |      |      |      |     | 5   |    |
| 6   | 66,3 | 55,9 | 55,5 | 55,5 | 54,9 | 53,9 | 48,3 | 40,3 | 31,6 | 27,9 | 25,6 |      |      |      |      |      |      |      |      |      |      |      |     | 6   |    |
| 7   | 56,9 | 47,1 | 47,9 | 48,3 | 48,3 | 47   | 44,4 | 38,8 | 30,4 | 26,9 | 25   | 23,1 | 20,4 |      |      |      |      |      |      |      |      |      |     | 7   |    |
| 8   | 48,6 | 40,4 | 41,2 | 41,6 | 41,6 | 41,4 | 40,1 | 36,3 | 29   | 25,8 | 24,3 | 22,3 | 20   | 18,1 | 16,7 |      |      |      |      |      |      |      |     | 8   |    |
| 9   | 41   | 35,1 | 36,1 | 36,3 | 36,6 | 36,8 | 35,9 | 33,7 | 27,5 | 24,7 | 23,5 | 21,5 | 19,5 | 17,9 | 16,6 | 11,5 | 13,2 | 10,8 | 10,1 | 10,7 |      |      |     | 9   |    |
| 10  |      |      | 31,9 | 32   | 32,7 | 32,6 | 32,1 | 30,9 | 26   | 23,2 | 22,6 | 20,7 | 18,9 | 17,5 | 16,4 | 11,3 | 13,1 | 10,7 | 10   | 10,6 | 9,6  | 9,1  | 8,9 | 8,6 | 10 |
| 11  |      |      | 28,3 | 28,4 | 29   | 29   | 28,7 | 27,8 | 24,6 | 21,8 | 21,6 | 19,8 | 18,2 | 17,1 | 16,1 | 11,1 | 13   | 10,5 | 9,9  | 10,5 | 9,5  | 9    | 8,8 | 8,5 | 11 |
| 12  |      |      | 25,2 | 25,9 | 26   | 25,9 | 25,7 | 24,9 | 23,2 | 20,6 | 20,7 | 19   | 17,5 | 16,5 | 15,7 | 10,8 | 12,8 | 10,3 | 9,7  | 10,4 | 9,4  | 8,9  | 8,7 | 8,5 | 12 |
| 13  |      |      | 22,5 | 23,1 | 23,3 | 23,2 | 23   | 22,5 | 21,5 | 19,5 | 19,7 | 18,1 | 16,8 | 15,7 | 15,2 | 10,5 | 12,6 | 10,1 | 9,6  | 10,2 | 9,2  | 8,8  | 8,6 | 8,4 | 13 |
| 14  |      |      | 20,9 | 21   | 20,9 | 20,6 | 20,3 | 19,7 | 18,4 | 18,8 | 17,3 | 16,1 | 15   | 14,6 | 10,1 | 12,3 | 9,9  | 9,4  | 10,1 | 9,1  | 8,7  | 8,5  | 8,3 | 14  |    |
| 15  |      |      | 18,9 | 19,1 | 19   | 18,7 | 18,4 | 18,6 | 17,3 | 17,7 | 16,5 | 15,4 | 14,3 | 14   | 9,7  | 12   | 9,6  | 9,2  | 9,9  | 8,9  | 8,6  | 8,4  | 8,2 | 15  |    |
| 16  |      |      | 17,2 | 17,4 | 17,3 | 17   | 17,1 | 17,1 | 16,3 | 16,4 | 15,7 | 14,7 | 13,7 | 13,4 | 9,3  | 11,7 | 9,3  | 9    | 9,7  | 8,8  | 8,5  | 8,2  | 8,1 | 16  |    |
| 18  |      |      |      | 14,8 | 14,6 | 14,7 | 14,8 | 14,4 | 14,2 | 13,9 | 13,6 | 13,3 | 12,4 | 12,3 | 8,7  | 10,9 | 8,8  | 8,4  | 9,1  | 8,4  | 8,1  | 8    | 7,8 | 18  |    |
| 20  |      |      |      | 12,7 | 12,4 | 12,8 | 12,6 | 12,1 | 11,9 | 12,1 | 11,4 | 11,8 | 11,2 | 11,2 | 8    | 10,1 | 8,3  | 7,9  | 8,6  | 8    | 7,7  | 7,6  | 7,4 | 20  |    |
| 22  |      |      |      |      | 11,2 | 11,1 | 10,8 | 10,7 | 10,1 | 10,5 | 9,6  | 10,2 | 9,6  | 9,7  | 7,4  | 9,3  | 7,8  | 7,4  | 8,1  | 7,6  | 7,3  | 7,1  | 7   | 22  |    |
| 24  |      |      |      |      | 9,9  | 9,7  | 9,3  | 9,4  | 8,6  | 9,1  | 8,2  | 8,9  | 8,1  | 8,7  | 6,9  | 8,3  | 7,2  | 6,9  | 7,6  | 7,2  | 6,9  | 6,7  | 6,5 | 24  |    |
| 26  |      |      |      |      |      | 8,5  | 8,2  | 8,1  | 7,4  | 7,9  | 7    | 7,9  | 6,9  | 7,5  | 6,4  | 7,2  | 6,8  | 6,5  | 7    | 6,7  | 6,5  | 6,3  | 6   | 26  |    |
| 28  |      |      |      |      |      | 7,2  | 7,6  | 7,1  | 6,4  | 7,2  | 5,9  | 6,8  | 6    | 6,6  | 6    | 6,5  | 6,3  | 6,1  | 6,2  | 6,2  | 6,1  | 5,8  | 5,5 | 28  |    |
| 30  |      |      |      |      |      |      | 6,7  | 6,3  | 5,9  | 6,4  | 5,2  | 5,9  | 5,6  | 5,9  | 5,6  | 5,7  | 5,7  | 5,6  | 5,3  | 5,3  | 5,3  | 5,3  | 5,1 | 30  |    |
| 32  |      |      |      |      |      |      |      | 5,9  | 5,5  | 5,6  | 4,8  | 5,4  | 5,3  | 5,2  | 5,1  | 4,9  | 5    | 4,9  | 4,6  | 4,6  | 4,6  | 4,6  | 4,5 | 32  |    |
| 34  |      |      |      |      |      |      |      |      | 5,3  | 5,2  | 5    | 4,5  | 4,8  | 4,9  | 4,6  | 4,6  | 4,3  | 4,4  | 4,3  | 4    | 4,1  | 4,1  | 4   | 34  |    |
| 36  |      |      |      |      |      |      |      |      |      | 4,8  | 4,4  | 4,2  | 4,3  | 4,4  | 4,1  | 4,1  | 3,9  | 3,9  | 3,6  | 3,6  | 3,6  | 3,6  | 3,5 | 36  |    |
| 38  |      |      |      |      |      |      |      |      |      |      | 4,1  | 4    | 3,9  | 4    | 3,7  | 3,7  | 3,5  | 3,5  | 3,5  | 3,2  | 3,2  | 3,2  | 3,2 | 3,1 | 38 |
| 40  |      |      |      |      |      |      |      |      |      |      |      | 3,8  | 3,6  | 3,6  | 3,3  | 3,4  | 3,1  | 3,1  | 3,1  | 2,8  | 2,9  | 2,9  | 2,8 | 40  |    |
| 42  |      |      |      |      |      |      |      |      |      |      |      |      | 3,3  | 3,3  | 3    | 3    | 2,8  | 2,8  | 2,8  | 2,5  | 2,5  | 2,5  | 2,5 | 42  |    |
| 44  |      |      |      |      |      |      |      |      |      |      |      |      |      | 3    | 2,7  | 2,7  | 2,5  | 2,5  | 2,2  | 2,3  | 2,2  | 2,2  | 44  |     |    |
| 46  |      |      |      |      |      |      |      |      |      |      |      |      |      |      | 2,5  | 2,5  | 2,3  | 2,3  | 2,2  | 2    | 2    | 2    | 1,9 | 46  |    |
| 48  |      |      |      |      |      |      |      |      |      |      |      |      |      |      |      | 2,3  | 2    | 2,1  | 2    | 1,7  | 1,8  | 1,8  | 1,7 | 48  |    |
| 50  |      |      |      |      |      |      |      |      |      |      |      |      |      |      |      |      | 1,8  | 1,9  | 1,8  | 1,5  | 1,5  | 1,5  | 1,5 | 50  |    |
| 52  |      |      |      |      |      |      |      |      |      |      |      |      |      |      |      |      |      | 1,6  | 1,6  | 1,2  | 1,3  | 1,3  | 1,2 | 52  |    |
| 54  |      |      |      |      |      |      |      |      |      |      |      |      |      |      |      |      |      |      |      |      | 1,1  | 1,1  | 1,1 | 1   | 54 |
| 56  |      |      |      |      |      |      |      |      |      |      |      |      |      |      |      |      |      |      |      |      |      | 0,7  |     | 56  |    |

\* ± 0° nach hinten - over rear - en arrière - sul posteriore - hacia atrás - стрела повернута назад

L\_197\_001\_19001\_00\_000/12001\_00\_000



SCAN ME

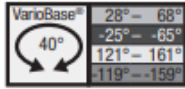
## 110 TONNE ALL TERRAIN CRANE (LIEBHERR LTM 1110-5.1)

# LIEBHERR LTM 1110-5.1

**NEED ADVICE?**  
We have experienced staff who can help you. We can visit your site to discuss your needs.  
**+44 (0) 1902 405553**

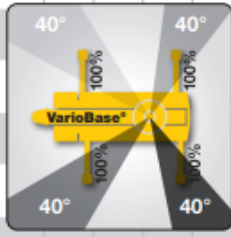


**VarioBase®**



+44 (0) 1902 405553

|     | 11,5 | 15,2 | 18,9 | 22,6 | 26,4 | 30,1 | 33,8 | 37,5 | 38,8 | 41,2 | 42,5 | 45   | 46,9 | 48,7 | 51,3 | 52,4 | 54,3 | 55,6 | 56,1 | 58,1 | 58,7 | 59,4 | 60  |     |
|-----|------|------|------|------|------|------|------|------|------|------|------|------|------|------|------|------|------|------|------|------|------|------|-----|-----|
|     | m    |      |      |      |      |      |      |      |      |      |      |      |      |      |      |      |      |      |      |      |      |      |     |     |
| 3   | 69,5 | 68,1 | 67,3 | 66,4 | 58,3 |      |      |      |      |      |      |      |      |      |      |      |      |      |      |      |      |      |     | 3   |
| 3,5 | 69,5 | 68,6 | 67,9 | 66,8 | 60   |      |      |      |      |      |      |      |      |      |      |      |      |      |      |      |      |      |     | 3,5 |
| 4   | 69,5 | 68,9 | 68,5 | 66,6 | 60,3 | 50,6 |      |      |      |      |      |      |      |      |      |      |      |      |      |      |      |      |     | 4   |
| 4,5 | 69,5 | 69,2 | 68,7 | 66,9 | 59,9 | 50,7 | 40,8 |      |      |      |      |      |      |      |      |      |      |      |      |      |      |      |     | 4,5 |
| 5   | 66,4 | 66,1 | 65,4 | 64,3 | 59,7 | 50,4 | 41   |      |      |      |      |      |      |      |      |      |      |      |      |      |      |      |     | 5   |
| 6   | 56,3 | 56,4 | 56   | 54,6 | 53,4 | 48,3 | 40,3 | 31,7 | 28   | 25,7 |      |      |      |      |      |      |      |      |      |      |      |      |     | 6   |
| 7   | 47,2 | 48,1 | 48,5 | 48,1 | 46,7 | 44,3 | 38,8 | 30,3 | 26,9 | 25   | 23,1 | 20,4 |      |      |      |      |      |      |      |      |      |      |     | 7   |
| 8   | 40,4 | 41,3 | 41,6 | 41,6 | 41,3 | 40,1 | 36,3 | 28,9 | 25,8 | 24,3 | 22,3 | 20   | 18,1 | 16,7 |      |      |      |      |      |      |      |      |     | 8   |
| 9   | 35   | 36,1 | 36,4 | 36,7 | 36,6 | 35,5 | 33,7 | 27,6 | 24,7 | 23,5 | 21,5 | 19,5 | 17,9 | 16,6 | 11,5 | 13,2 | 10,8 | 10,1 | 10,7 |      |      |      |     | 9   |
| 10  |      | 31,9 | 32,1 | 32,7 | 32,6 | 31,7 | 30,4 | 26,1 | 23,2 | 22,6 | 20,6 | 18,9 | 17,5 | 16,4 | 11,3 | 13,1 | 10,7 | 10   | 10,6 | 9,6  | 9,1  | 8,9  | 8,6 | 10  |
| 12  |      | 25,2 | 25,8 | 26   | 25,9 | 25,4 | 24,6 | 23,3 | 20,6 | 20,6 | 19   | 17,5 | 16,5 | 15,7 | 10,8 | 12,8 | 10,3 | 9,7  | 10,4 | 9,4  | 8,9  | 8,7  | 8,5 | 12  |
| 14  |      |      | 21,2 | 21,3 | 21,3 | 21   | 20,2 | 19,7 | 18,4 | 18,8 | 17,3 | 16,1 | 15   | 14,6 | 10,1 | 12,3 | 9,9  | 9,4  | 10,1 | 9,1  | 8,7  | 8,5  | 8,3 | 14  |
| 16  |      |      | 17,6 | 17,8 | 17,7 | 17,4 | 17,2 | 17,1 | 16,3 | 16,3 | 15,7 | 14,7 | 13,7 | 13,4 | 9,3  | 11,7 | 9,3  | 9    | 9,6  | 8,8  | 8,4  | 8,2  | 8,1 | 16  |
| 18  |      |      |      | 15,3 | 15   | 14,7 | 14,9 | 14,5 | 14,2 | 14   | 13,7 | 13,3 | 12,4 | 12,3 | 8,7  | 10,9 | 8,8  | 8,4  | 9,2  | 8,4  | 8,1  | 8    | 7,8 | 18  |
| 20  |      |      |      | 13,2 | 13   | 13,3 | 12,8 | 12,5 | 12,1 | 12,3 | 11,8 | 11,8 | 11,2 | 11,2 | 8    | 10,1 | 8,3  | 7,9  | 8,6  | 8    | 7,7  | 7,6  | 7,4 | 20  |
| 22  |      |      |      |      | 11,3 | 11,6 | 11,2 | 10,9 | 10,5 | 10,8 | 10,1 | 10,4 | 9,9  | 10   | 7,4  | 9,3  | 7,8  | 7,4  | 8,1  | 7,6  | 7,3  | 7,1  | 7   | 22  |
| 24  |      |      |      |      | 10,4 | 10,2 | 9,8  | 9,8  | 9,1  | 9,4  | 8,8  | 9,1  | 8,6  | 9    | 6,9  | 8,5  | 7,2  | 6,9  | 7,6  | 7,2  | 6,9  | 6,7  | 6,5 | 24  |
| 26  |      |      |      |      |      | 9    | 8,7  | 8,6  | 8    | 8,3  | 7,7  | 8,3  | 7,6  | 8    | 6,4  | 7,7  | 6,8  | 6,5  | 7,1  | 6,8  | 6,5  | 6,3  | 6   | 26  |
| 28  |      |      |      |      |      | 7,2  | 7,7  | 7,7  | 7,1  | 7,4  | 6,8  | 7,4  | 6,6  | 7,1  | 6    | 6,8  | 6,4  | 6,1  | 6,6  | 6,3  | 6,1  | 5,8  | 5,5 | 28  |
| 30  |      |      |      |      |      | 7,3  | 6,9  | 6,3  | 6,9  | 6    | 6,6  | 5,9  | 6,4  | 5,5  | 6,2  | 6    | 5,7  | 5,9  | 5,9  | 5,7  | 5,4  | 5,1  |     | 30  |
| 32  |      |      |      |      |      |      | 6,2  | 5,6  | 6,2  | 5,3  | 5,9  | 5,3  | 5,7  | 5,2  | 5,5  | 5,6  | 5,3  | 5,2  | 5,3  | 5,3  | 5,1  | 4,8  |     | 32  |
| 34  |      |      |      |      |      |      | 5,7  | 5,2  | 5,7  | 4,6  | 5,4  | 4,9  | 5,1  | 4,8  | 4,9  | 5    | 4,9  | 4,6  | 4,7  | 4,7  | 4,7  | 4,5  |     | 34  |
| 36  |      |      |      |      |      |      |      | 5    | 5,1  | 4,2  | 4,8  | 4,6  | 4,6  | 4,5  | 4,4  | 4,5  | 4,4  | 4,1  | 4,2  | 4,2  | 4,2  | 4,2  |     | 36  |
| 38  |      |      |      |      |      |      |      |      | 4,6  | 4    | 4,5  | 4,4  | 4,1  | 4,2  | 4    | 4    | 3,7  | 3,8  | 3,8  | 3,8  | 3,7  | 3,7  |     | 38  |
| 40  |      |      |      |      |      |      |      |      |      | 3,9  | 4,1  | 4    | 3,7  | 3,8  | 3,6  | 3,6  | 3,6  | 3,3  | 3,4  | 3,4  | 3,4  | 3,3  |     | 40  |
| 42  |      |      |      |      |      |      |      |      |      |      | 3,8  | 3,7  | 3,4  | 3,4  | 3,2  | 3,3  | 3,3  | 3    | 3,1  | 3    | 3    | 3    |     | 42  |
| 44  |      |      |      |      |      |      |      |      |      |      |      | 3,4  | 3,1  | 3,1  | 2,9  | 3    | 3    | 2,7  | 2,7  | 2,7  | 2,7  | 2,7  |     | 44  |
| 46  |      |      |      |      |      |      |      |      |      |      |      |      | 2,8  | 2,9  | 2,6  | 2,7  | 2,6  | 2,4  | 2,4  | 2,4  | 2,4  | 2,3  |     | 46  |
| 48  |      |      |      |      |      |      |      |      |      |      |      |      |      | 2,6  | 2,3  | 2,4  | 2,4  | 2,1  | 2,1  | 2,1  | 2,1  | 2,1  |     | 48  |
| 50  |      |      |      |      |      |      |      |      |      |      |      |      |      |      | 2,1  | 2,1  | 2,1  | 1,8  | 1,9  | 1,9  | 1,8  | 1,8  |     | 50  |
| 52  |      |      |      |      |      |      |      |      |      |      |      |      |      |      |      | 1,9  | 1,9  | 1,6  | 1,7  | 1,7  | 1,7  | 1,6  |     | 52  |
| 54  |      |      |      |      |      |      |      |      |      |      |      |      |      |      |      |      |      | 1,5  | 1,4  | 1,3  | 1    |      |     | 54  |
| 56  |      |      |      |      |      |      |      |      |      |      |      |      |      |      |      |      |      |      |      | 0,7  |      |      |     | 56  |



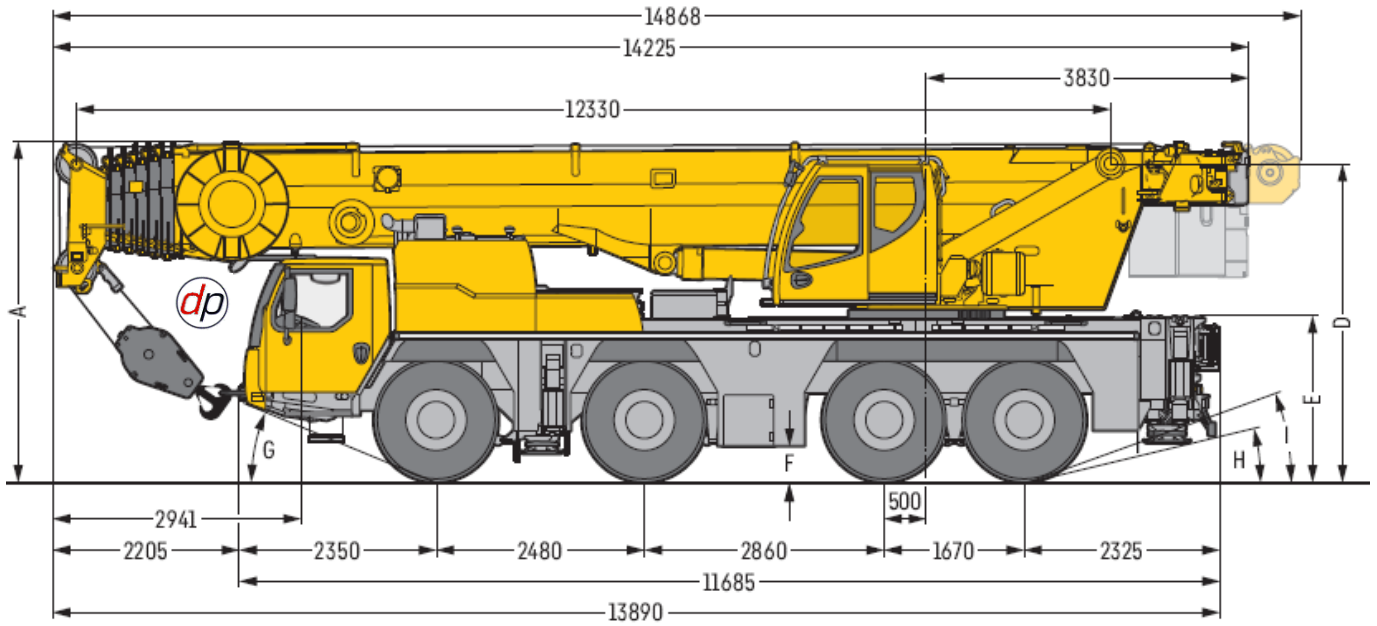
+6%

LTM\_1110-5.1\_Mul\_0





## 120 TONNE ALL TERRAIN CRANE (LIEBHERR LTM 1120-4.1)

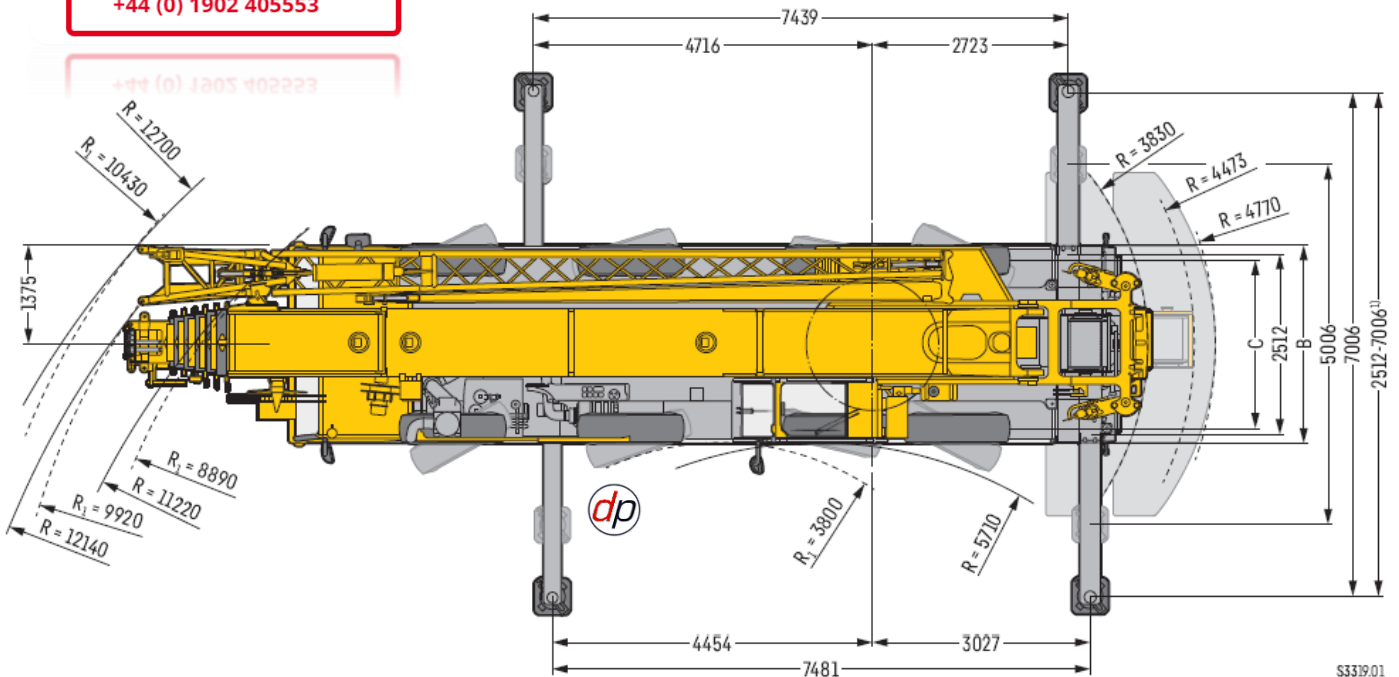


**NEED ADVICE?**

We have experienced staff who can help you. We can visit your site to discuss your needs.

+44 (0) 1902 405553

### LTM 1120-4.1 **LIEBHERR**



• Dimensions

|                          | A    | A       | B    | C    | D    | E    | F   | G   | H   | I   |
|--------------------------|------|---------|------|------|------|------|-----|-----|-----|-----|
|                          |      | 100 mm* |      |      |      |      |     |     |     |     |
| 385/95 R 25 (14.00 R 25) | 3950 | 3850    | 2750 | 2360 | 3706 | 1866 | 335 | 22° | 11° | 18° |
| 445/95 R 25 (16.00 R 25) | 4000 | 3900    | 2750 | 2300 | 3756 | 1916 | 385 | 23° | 13° | 20° |
| 525/80 R 25 (20.5 R 25)  | 4000 | 3900    | 2890 | 2370 | 3756 | 1916 | 385 | 23° | 13° | 20° |

\* lowered



SCAN ME

**120 TONNE ALL TERRAIN CRANE (LIEBHERR LTM 1120-4.1)**

12,3-66 m | 360° | 3,83 m | 4,77 m | 20 t | EN | dp | **BALLAST AS CARRIED FOR UK ROAD TRAVEL.**

|     | 12,3 m | 16,4 m | 20,6 m | 24,7 m | 28,8 m | 32,9 m | 37 m | 41,1 m | 45,2 m | 49,4 m | 53,5 m | 57,6 m | 59,7 m | 61,2 m | 61,7 m | 63,1 m | 65,3 m | 66 m |     |
|-----|--------|--------|--------|--------|--------|--------|------|--------|--------|--------|--------|--------|--------|--------|--------|--------|--------|------|-----|
| 3   | 69,5   | 65,2   | 64,7   | 64,7   | 57,9   |        |      |        |        |        |        |        |        |        |        |        |        |      | 3   |
| 3,5 | 69,5   | 65,2   | 64,7   | 64,7   | 62,6   |        |      |        |        |        |        |        |        |        |        |        |        |      | 3,5 |
| 4   | 65,6   | 65     | 63,6   | 61,2   | 58,5   | 52,1   |      |        |        |        |        |        |        |        |        |        |        |      | 4   |
| 4,5 | 60,6   | 60,3   | 58,1   | 56,7   | 54,1   | 50,5   |      |        |        |        |        |        |        |        |        |        |        |      | 4,5 |
| 5   | 56,3   | 56,1   | 54     | 52,2   | 49,3   | 46,5   | 42,1 |        |        |        |        |        |        |        |        |        |        |      | 5   |
| 6   | 49,1   | 49,4   | 47,8   | 46,3   | 44,4   | 42,5   | 40,2 | 34,2   |        |        |        |        |        |        |        |        |        |      | 6   |
| 7   | 42,2   | 43     | 43,1   | 41,9   | 40,2   | 38,7   | 36,4 | 33,3   | 27,5   |        |        |        |        |        |        |        |        |      | 7   |
| 8   | 36,3   | 37,5   | 38,1   | 37,8   | 36,1   | 33,8   | 31,8 | 30,5   | 27,4   | 22,2   |        |        |        |        |        |        |        |      | 8   |
| 9   | 31,3   | 32,5   | 33,2   | 32,8   | 31,2   | 29,6   | 28,7 | 27,1   | 25,4   | 22,1   | 17,7   | 14     |        |        |        |        |        |      | 9   |
| 10  | 27     | 28,4   | 29,1   | 28,7   | 27,3   | 26,8   | 25,3 | 24     | 22,8   | 21,1   | 17,7   | 14     | 12,1   | 10,5   | 11,3   |        |        |      | 10  |
| 11  |        | 25     | 25,7   | 25,3   | 24,7   | 23,8   | 22,5 | 21,6   | 20,5   | 19,5   | 17,6   | 14     | 11,9   | 10,4   | 11,2   | 10,4   | 9,2    | 9    | 11  |
| 12  |        | 21,6   | 22,5   | 22,4   | 22,4   | 21,4   | 20,4 | 19,7   | 18,8   | 17,8   | 16,7   | 13,9   | 11,8   | 10,3   | 11,2   | 10,4   | 9,1    | 8,9  | 12  |
| 13  |        | 18,9   | 19,8   | 20,1   | 20,2   | 19,3   | 18,4 | 18     | 17,4   | 16,4   | 15,6   | 13,8   | 11,5   | 10,2   | 11,1   | 10,3   | 9,1    | 8,8  | 13  |
| 14  |        | 16,7   | 17,6   | 18,3   | 18,3   | 17,5   | 17   | 16,5   | 15,9   | 15     | 14,2   | 13,3   | 11,2   | 10     | 11     | 10,2   | 9      | 8,8  | 14  |
| 15  |        |        | 15,7   | 16,4   | 16,5   | 16     | 15,9 | 15,1   | 14,5   | 13,7   | 13,1   | 12,1   | 10,9   | 9,9    | 10,9   | 10,1   | 8,9    | 8,7  | 15  |
| 16  |        |        | 14,1   | 14,8   | 14,9   | 14,6   | 14,6 | 13,9   | 13,3   | 13     | 12,2   | 11,6   | 10,4   | 9,7    | 10,7   | 10     | 8,8    | 8,6  | 16  |
| 18  |        |        | 11,6   | 12,3   | 12,3   | 12,6   | 12,3 | 12,1   | 11,6   | 11     | 10,3   | 9,8    | 8,7    | 8,2    | 8,9    | 8,9    | 8,5    | 8,2  | 18  |
| 20  |        |        |        | 10,3   | 10,4   | 10,5   | 10,3 | 10,3   | 9,9    | 9,4    | 8,8    | 8,5    | 7,2    | 8      | 7,5    | 7,5    | 7,3    | 7,2  | 20  |
| 22  |        |        |        | 8,8    | 8,8    | 8,8    | 8,7  | 8,6    | 8,3    | 8      | 7,5    | 7      | 6      | 6,8    | 6,3    | 6,4    | 6,2    | 6,1  | 22  |
| 24  |        |        |        |        | 7,4    | 7,5    | 7,4  | 7,3    | 7      | 6,7    | 6,3    | 5,9    | 5      | 5,8    | 5,4    | 5,4    | 5,2    | 5,1  | 24  |
| 26  |        |        |        |        | 6,4    | 6,4    | 6,3  | 6,2    | 5,9    | 5,6    | 5,2    | 4,9    | 4,1    | 4,9    | 4,4    | 4,5    | 4,4    | 4,3  | 26  |
| 28  |        |        |        |        |        | 5,5    | 5,4  | 5,3    | 5      | 4,7    | 4,4    | 4,1    | 3,4    | 4,1    | 3,7    | 3,8    | 3,7    | 3,6  | 28  |
| 30  |        |        |        |        |        | 4,8    | 4,6  | 4,5    | 4,2    | 4      | 3,7    | 3,5    | 2,8    | 3,5    | 3,1    | 3,2    | 3,1    | 3    | 30  |
| 32  |        |        |        |        |        |        | 4    | 3,9    | 3,7    | 3,5    | 3,2    | 3      | 2,2    | 3      | 2,6    | 2,7    | 2,6    | 2,5  | 32  |
| 34  |        |        |        |        |        |        |      | 3,5    | 3,2    | 3      | 2,7    | 2,5    | 1,7    | 2,5    | 2,1    | 2,2    | 2,1    | 2    | 34  |
| 36  |        |        |        |        |        |        |      | 3,1    | 2,8    | 2,6    | 2,3    | 2,1    | 1,3    | 2,1    | 1,7    | 1,7    | 1,7    | 1,6  | 36  |
| 38  |        |        |        |        |        |        |      |        | 2,8    | 2,5    | 2,3    | 2      | 1,8    | 0,8    | 1,8    | 1,3    | 1,3    | 1,2  | 38  |
| 40  |        |        |        |        |        |        |      |        | 2,2    | 2      | 1,6    | 1,4    |        | 1,4    | 0,9    | 1      | 0,9    | 0,8  | 40  |
| 42  |        |        |        |        |        |        |      |        | 1,9    | 1,6    | 1,3    | 1,1    |        |        | 1,1    |        |        |      | 42  |
| 44  |        |        |        |        |        |        |      |        |        | 1,4    | 1      |        |        |        | 0,8    |        |        |      | 44  |
| 46  |        |        |        |        |        |        |      |        |        |        | 1,1    |        |        |        |        |        |        |      | 46  |

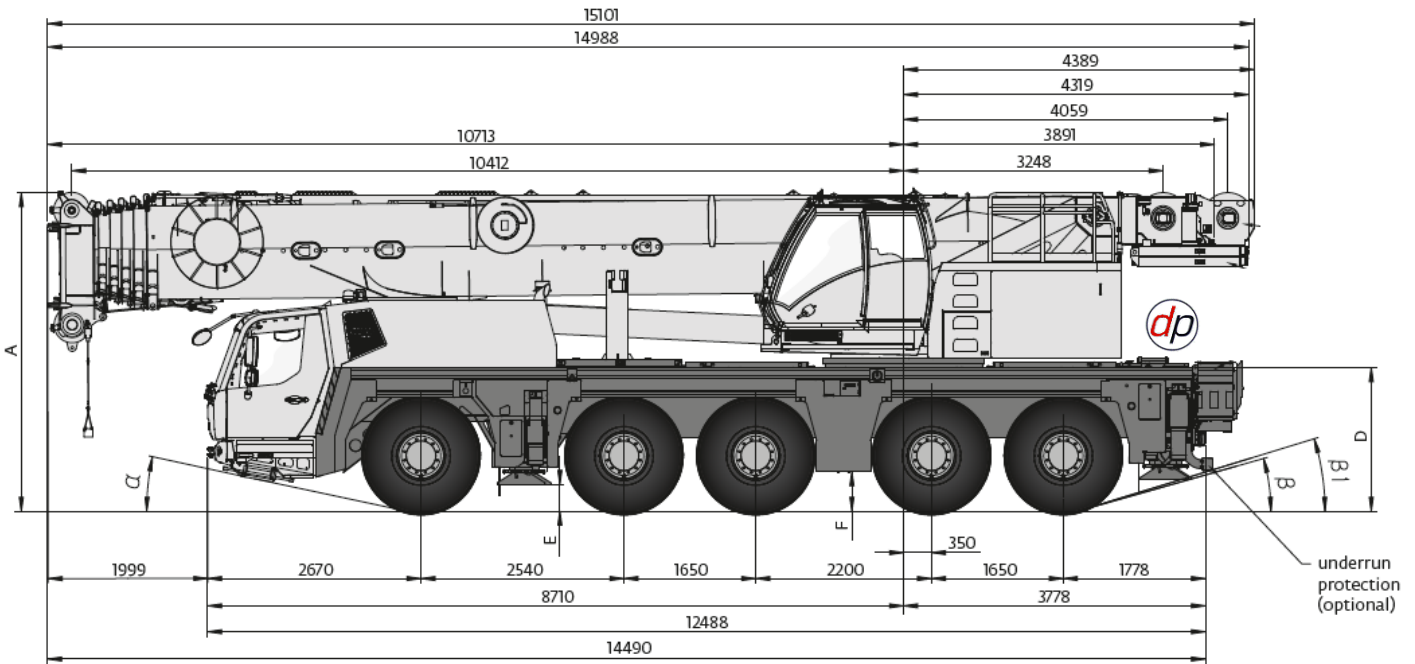
12,3-66 m | 360° | 3,83 m | 4,77 m | 31 t | EN | dp | **REQUIRES EXTRA BALLAST DELIVERY BY TRANSPORT.**

|     | 12,3 m | 16,4 m | 20,6 m | 24,7 m | 28,8 m | 32,9 m | 37 m | 41,1 m | 45,2 m | 49,4 m | 53,5 m | 57,6 m | 59,7 m | 61,2 m | 61,7 m | 63,1 m | 65,3 m | 66 m |     |
|-----|--------|--------|--------|--------|--------|--------|------|--------|--------|--------|--------|--------|--------|--------|--------|--------|--------|------|-----|
| 3   | 120    | 69,5   | 65,2   | 64,7   | 64,7   | 57,9   |      |        |        |        |        |        |        |        |        |        |        |      | 3   |
| 3,5 | 75,1   | 69,5   | 65,2   | 64,7   | 64,7   | 62,6   |      |        |        |        |        |        |        |        |        |        |        |      | 3,5 |
| 4   | 69,9   | 66,4   | 65,1   | 63,6   | 61,2   | 58,5   | 52,1 |        |        |        |        |        |        |        |        |        |        |      | 4   |
| 4,5 | 64     | 61,7   | 60,3   | 58,1   | 56,7   | 54,1   | 50,5 |        |        |        |        |        |        |        |        |        |        |      | 4,5 |
| 5   | 58,9   | 57,3   | 56,1   | 54     | 52,2   | 49,3   | 46,5 | 42,1   |        |        |        |        |        |        |        |        |        |      | 5   |
| 6   | 52     | 50     | 49,8   | 47,8   | 46,3   | 44,4   | 42,5 | 40,2   | 34,2   |        |        |        |        |        |        |        |        |      | 6   |
| 7   | 46,1   | 44,2   | 44,8   | 43,5   | 41,9   | 40,2   | 38,8 | 36,5   | 33,6   | 27,5   |        |        |        |        |        |        |        |      | 7   |
| 8   | 40,8   | 39,5   | 40,4   | 39,8   | 38,5   | 37,4   | 35,4 | 33,5   | 31,7   | 27,4   | 22,2   |        |        |        |        |        |        |      | 8   |
| 9   | 35,4   | 34,8   | 36     | 36,5   | 35,3   | 34,1   | 32,6 | 30,7   | 29,8   | 27,1   | 22,1   | 17,7   | 14     |        |        |        |        |      | 9   |
| 10  | 27     | 27     | 31,9   | 32,6   | 32,4   | 31,4   | 30,1 | 28,5   | 27,6   | 26,1   | 22     | 17,7   | 14     | 12,1   | 10,5   | 11,3   |        |      | 10  |
| 11  |        |        | 28,6   | 29,2   | 29,4   | 28,9   | 27,8 | 27     | 25,7   | 24,4   | 21,7   | 17,6   | 14     | 11,9   | 10,4   | 11,2   | 10,4   | 9,2  | 11  |
| 12  |        |        | 25,7   | 26,4   | 26,5   | 26,4   | 25,8 | 25,4   | 24,1   | 22,9   | 21,2   | 17,4   | 13,9   | 11,8   | 10,3   | 11,2   | 10,4   | 9,1  | 12  |
| 13  |        |        | 23,2   | 23,8   | 24     | 23,8   | 23,5 | 22,5   | 21,4   | 20,1   | 17,1   | 13,8   | 11,5   | 10,2   | 11,1   | 10,3   | 9,1    | 8,8  | 13  |
| 14  |        |        | 19,2   | 21,6   | 21,8   | 21,6   | 21,9 | 21,5   | 20,5   | 19,6   | 18,4   | 16,8   | 13,6   | 11,2   | 10     | 11     | 10,2   | 9    | 14  |
| 15  |        |        |        | 19,7   | 19,9   | 19,8   | 18,8 | 18,8   | 18,2   | 17,4   | 16,2   | 13,4   | 10,9   | 9,9    | 10,9   | 10,1   | 8,9    | 8,7  | 15  |
| 16  |        |        |        | 18,1   | 18,2   | 18,6   | 18,5 | 18,1   | 17,6   | 16,9   | 16,2   | 15,3   | 13,2   | 10,6   | 9,7    | 10,8   | 10     | 8,8  | 16  |
| 18  |        |        |        | 14,6   | 15,5   | 15,9   | 15,8 | 15,4   | 15,2   | 14,8   | 14,1   | 13,4   | 12,6   | 10     | 9,3    | 10,4   | 9,8    | 8,5  | 18  |
| 20  |        |        |        |        | 13,7   | 13,7   | 13,5 | 13,2   | 13,4   | 13     | 12,5   | 11,8   | 11,1   | 9,4    | 8,8    | 10,1   | 9,5    | 8,2  | 20  |
| 22  |        |        |        |        | 11,6   | 11,8   | 11,6 | 11,7   | 11,5   | 11,3   | 10,9   | 10,4   | 10     | 8,8    | 8,4    | 9,3    | 9,1    | 7,9  | 22  |
| 24  |        |        |        |        |        | 10,3   | 10,1 | 10,3   | 10     | 9,7    | 9,6    | 9,3    | 8,8    | 7,9    | 7,9    | 8,1    | 8,2    | 7,5  | 24  |
| 26  |        |        |        |        |        | 9,1    | 9    | 9      | 8,7    | 8,5    | 8,4    | 8      | 7,7    | 6,8    | 7,4    | 7,1    | 7,1    | 7    | 26  |
| 28  |        |        |        |        |        |        | 8,1  | 7,9    | 7,9    | 7,6    | 7,3    | 6,9    | 6,6    | 5,8    | 6,7    | 6,2    | 6,2    | 6,1  | 28  |
| 30  |        |        |        |        |        |        | 7,2  | 6,9    | 6,9    | 6,6    | 6,4    | 6      | 5,7    | 4,9    | 5,7    | 5,3    | 5,3    | 5,2  | 30  |
| 32  |        |        |        |        |        |        |      | 6,2    | 6,1    | 5,8    | 5,6    | 5,2    | 4,9    | 4,2    | 4,9    | 4,5    | 4,5    | 4,4  | 32  |
| 34  |        |        |        |        |        |        |      | 5,5    | 5,4    | 5,1    | 4,9    | 4,5    | 4,3    | 3,6    | 4,3    | 3,9    | 3,9    | 3,9  | 34  |
| 36  |        |        |        |        |        |        |      |        | 4,8    | 4,5    | 4,3    | 4      | 3,8    | 3,1    | 3,8    | 3,4    | 3,5    | 3,4  | 36  |
| 38  |        |        |        |        |        |        |      |        | 4,3    | 4      | 3,8    | 3,5    | 3,3    | 2,7    | 3,3    | 3      | 3      | 2,9  | 38  |
| 40  |        |        |        |        |        |        |      |        | 3,7    | 3,5    | 3,2    | 2,9    | 2,3    | 2,9    | 2,6    | 2,6    | 2,6    | 2,6  | 40  |
| 42  |        |        |        |        |        |        |      |        |        | 3,3    | 3,1    | 2,8    | 2,6    | 1,9    | 2,6    | 2,2    | 2,3    | 2,2  | 42  |
| 44  |        |        |        |        |        |        |      |        |        |        | 2,8    | 2,5    | 2,3    | 1,5    | 2,3    | 1,9    | 1,9    | 1,9  | 44  |
| 46  |        |        |        |        |        |        |      |        |        |        | 2,5    | 2,2    | 2      | 1,2    | 2      | 1,6    | 1,7    | 1,6  | 46  |
| 48  |        |        |        |        |        |        |      |        |        |        |        | 1,9    | 1,7    | 0,9    | 1,7    | 1,3    | 1,3    | 1,3  | 48  |
| 50  |        |        |        |        |        |        |      |        |        |        |        |        | 1,7    | 1,4    |        | 1,4    | 1      | 1    | 50  |
| 52  |        |        |        |        |        |        |      |        |        |        |        |        |        |        | 1,1    |        |        |      | 52  |
| 54  |        |        |        |        |        |        |      |        |        |        |        |        |        |        |        | 0,9    |        |      | 54  |



SCAN ME

## 150 TONNE ALL TERRAIN CRANE (GROVE GMK 5150L-1)



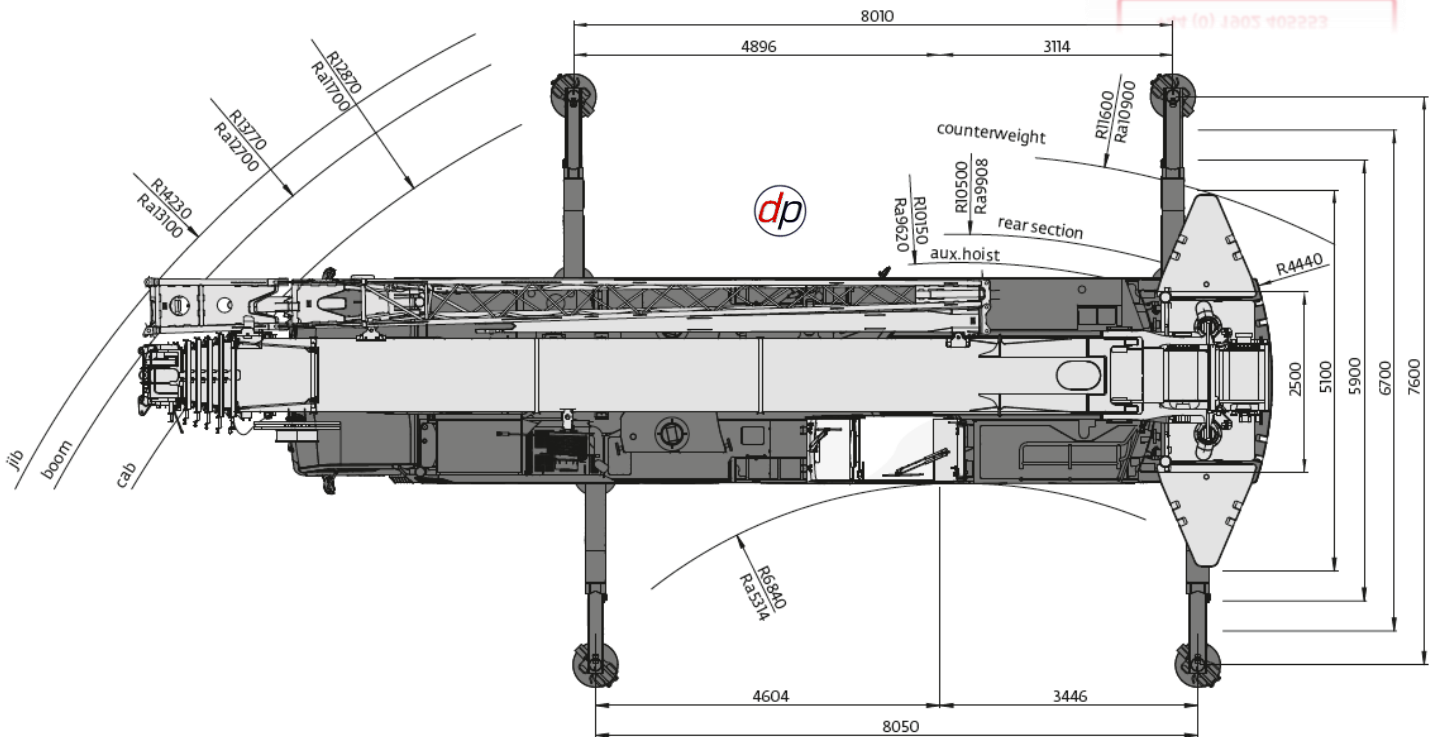
**GROVE**  
by **Manitowoc**

### GROVE GMK5150L-1

**NEED ADVICE?**

We have experienced staff who can help you. We can visit your site to discuss your needs.

+44 (0) 1902 405553



|            | A    | A<br>105 mm** | B    | C    | D    | E   | F   | α   | β   | β <sub>1</sub> |
|------------|------|---------------|------|------|------|-----|-----|-----|-----|----------------|
| R14,00/R25 | 3948 | 3843          | 2750 | 2298 | 1732 | 272 | 431 | 12° | 12° | 13°            |
| R16,00/R25 | 3998 | 3893          | 2750 | 2276 | 1795 | 335 | 494 | 14° | 15° | 16°            |
| R20,50/R25 | 3998 | 3893          | 2900 | 2296 | 1795 | 335 | 494 | 14° | 15° | 16°            |

\*\* Lowered Grove GMK5150L-1





SCAN ME

## 150 TONNE ALL TERRAIN CRANE (GROVE GMK 5150L-1)

12,8 - 60,0 m   
 7,6 m   
 360°   
 30,9 t   
 EN 13000   
 **BALLAST AS CARRIED FOR UK ROAD TRAVEL.**

| m    | 12,8  | 18,0  | 23,3 | 27,9 | 32,6 | 37,0 | 40,3 | 43,5 | 47,2 | 51,1 | 54,8 | 57,9 | 60,0 | m    |
|------|-------|-------|------|------|------|------|------|------|------|------|------|------|------|------|
| 3,0  | 107,0 | 106,0 | 89,5 |      |      |      |      |      |      |      |      |      |      | 3,0  |
| 4,0  | 90,5  | 90,5  | 86,5 | 65,0 |      |      |      |      |      |      |      |      |      | 4,0  |
| 5,0  | 78,0  | 78,0  | 77,5 | 64,0 | 52,0 |      |      |      |      |      |      |      |      | 5,0  |
| 6,0  | 68,0  | 69,0  | 68,0 | 60,0 | 51,5 | 40,0 |      |      |      |      |      |      |      | 6,0  |
| 7,0  | 58,0  | 58,5  | 57,5 | 55,0 | 48,5 | 40,0 | 33,0 | 27,5 |      |      |      |      |      | 7,0  |
| 8,0  | 50,0  | 50,5  | 49,5 | 50,0 | 45,5 | 39,0 | 33,0 | 27,5 | 24,0 |      |      |      |      | 8,0  |
| 9,0  | 43,5  | 44,0  | 44,0 | 44,0 | 42,5 | 37,0 | 32,0 | 27,5 | 24,0 | 19,1 | 15,8 |      |      | 9,0  |
| 10,0 | 38,5  | 39,5  | 39,0 | 38,0 | 37,5 | 34,5 | 30,5 | 27,5 | 24,0 | 19,1 | 15,8 | 12,7 | 11,8 | 10,0 |
| 11,0 |       | 35,5  | 35,0 | 33,5 | 33,0 | 32,5 | 29,0 | 26,5 | 24,0 | 19,1 | 15,8 | 12,7 | 11,8 | 11,0 |
| 12,0 |       | 32,0  | 31,5 | 31,0 | 29,5 | 29,5 | 27,0 | 25,0 | 23,0 | 19,1 | 15,8 | 12,7 | 11,8 | 12,0 |
| 13,0 |       | 28,5  | 29,0 | 28,5 | 26,5 | 26,5 | 25,5 | 24,0 | 22,0 | 18,9 | 15,8 | 12,7 | 11,8 | 13,0 |
| 14,0 |       | 25,0  | 25,5 | 25,5 | 24,5 | 24,0 | 23,0 | 22,5 | 21,0 | 18,3 | 15,8 | 12,7 | 11,8 | 14,0 |
| 15,0 |       | 21,5  | 23,0 | 22,5 | 23,0 | 22,0 | 21,0 | 20,5 | 19,9 | 17,5 | 15,7 | 12,7 | 11,8 | 15,0 |
| 16,0 |       |       | 20,5 | 21,0 | 21,5 | 20,0 | 19,5 | 18,8 | 18,9 | 16,7 | 15,2 | 12,7 | 11,8 | 16,0 |
| 18,0 |       |       | 17,7 | 17,9 | 17,6 | 17,0 | 17,2 | 15,8 | 16,1 | 15,3 | 14,2 | 12,1 | 11,8 | 18,0 |
| 20,0 |       |       | 13,0 | 15,1 | 14,8 | 14,9 | 14,7 | 13,8 | 13,8 | 13,4 | 13,2 | 11,3 | 11,3 | 20,0 |
| 22,0 |       |       |      | 12,9 | 12,6 | 13,1 | 12,5 | 12,8 | 11,9 | 11,9 | 11,8 | 10,5 | 10,6 | 22,0 |
| 24,0 |       |       |      | 11,1 | 10,8 | 11,3 | 10,9 | 11,0 | 10,8 | 10,8 | 10,3 | 9,7  | 9,9  | 24,0 |
| 26,0 |       |       |      |      | 9,3  | 9,8  | 10,0 | 9,5  | 9,6  | 9,5  | 9,1  | 9,0  | 8,9  | 26,0 |
| 28,0 |       |       |      |      | 8,1  | 8,5  | 8,8  | 8,4  | 8,3  | 8,2  | 8,1  | 8,0  | 7,8  | 28,0 |
| 30,0 |       |       |      |      | 5,6  | 7,5  | 7,7  | 7,7  | 7,3  | 7,2  | 7,3  | 7,1  | 6,9  | 30,0 |
| 32,0 |       |       |      |      |      | 6,6  | 6,8  | 6,9  | 6,4  | 6,3  | 6,4  | 6,2  | 6,1  | 32,0 |
| 34,0 |       |       |      |      |      | 5,8  | 6,1  | 6,1  | 5,8  | 5,5  | 5,7  | 5,4  | 5,2  | 34,0 |
| 36,0 |       |       |      |      |      |      | 5,4  | 5,4  | 5,3  | 4,8  | 4,9  | 4,7  | 4,5  | 36,0 |
| 38,0 |       |       |      |      |      |      | 4,1  | 4,8  | 4,7  | 4,1  | 4,3  | 4,0  | 3,9  | 38,0 |
| 40,0 |       |       |      |      |      |      |      | 4,4  | 4,1  | 3,6  | 3,8  | 3,5  | 3,3  | 40,0 |
| 42,0 |       |       |      |      |      |      |      | 3,9  | 3,6  | 3,1  | 3,2  | 3,0  | 2,8  | 42,0 |
| 44,0 |       |       |      |      |      |      |      |      | 3,2  | 2,6  | 2,8  | 2,5  | 2,4  | 44,0 |
| 46,0 |       |       |      |      |      |      |      |      | 2,8  | 2,2  | 2,4  | 2,1  | 2,0  | 46,0 |
| 48,0 |       |       |      |      |      |      |      |      | 2,4  | 1,9  | 2,0  | 1,7  | 1,6  | 48,0 |
| 50,0 |       |       |      |      |      |      |      |      |      |      | 1,7  | 1,4  | 1,3  | 50,0 |
| 52,0 |       |       |      |      |      |      |      |      |      |      | 1,4  | 1,1  | 1,0  | 52,0 |
| 54,0 |       |       |      |      |      |      |      |      |      |      |      | 0,8  |      | 54,0 |

Grove GMK5150L-1

12,8 - 60,0 m   
 7,6 m   
 360°   
 44,5 t   
 EN 13000   
 **REQUIRES EXTRA BALLAST DELIVERY BY TRANSPORT.**

| m    | 12,8   | 18,0  | 23,3 | 27,9 | 32,6 | 37,0 | 40,3 | 43,5 | 47,2 | 51,1 | 54,8 | 57,9 | 60,0 | m    |
|------|--------|-------|------|------|------|------|------|------|------|------|------|------|------|------|
| 3,0  | 150,0* |       |      |      |      |      |      |      |      |      |      |      |      | 3,0  |
| 3,0  | 108,0  | 107,0 | 89,5 |      |      |      |      |      |      |      |      |      |      | 3,0  |
| 4,0  | 91,5   | 91,5  | 86,5 | 65,0 |      |      |      |      |      |      |      |      |      | 4,0  |
| 5,0  | 79,0   | 79,0  | 78,5 | 64,0 | 52,0 |      |      |      |      |      |      |      |      | 5,0  |
| 6,0  | 69,0   | 69,5  | 69,0 | 60,0 | 51,5 | 40,0 |      |      |      |      |      |      |      | 6,0  |
| 7,0  | 61,5   | 62,0  | 61,0 | 55,0 | 48,5 | 40,0 | 33,0 | 27,5 |      |      |      |      |      | 7,0  |
| 8,0  | 54,5   | 55,0  | 54,0 | 50,5 | 45,5 | 39,0 | 33,0 | 27,5 | 24,0 |      |      |      |      | 8,0  |
| 9,0  | 47,5   | 48,5  | 47,5 | 47,0 | 42,5 | 37,0 | 32,0 | 27,5 | 24,0 | 19,1 | 15,8 |      |      | 9,0  |
| 10,0 | 42,0   | 43,0  | 42,0 | 42,5 | 39,5 | 34,5 | 30,5 | 27,5 | 24,0 | 19,1 | 15,8 | 12,7 | 11,8 | 10,0 |
| 11,0 |        | 38,5  | 37,5 | 38,0 | 37,0 | 32,5 | 29,0 | 26,5 | 24,0 | 19,1 | 15,8 | 12,7 | 11,8 | 11,0 |
| 12,0 |        | 34,5  | 34,5 | 34,5 | 34,5 | 30,5 | 27,0 | 25,0 | 23,0 | 19,1 | 15,8 | 12,7 | 11,8 | 12,0 |
| 13,0 |        | 32,0  | 31,5 | 31,0 | 32,0 | 29,0 | 25,5 | 24,0 | 22,0 | 18,9 | 15,8 | 12,7 | 11,8 | 13,0 |
| 14,0 |        | 29,5  | 29,0 | 28,5 | 29,0 | 27,5 | 24,0 | 23,0 | 21,0 | 18,3 | 15,8 | 12,7 | 11,8 | 14,0 |
| 15,0 |        | 26,0  | 26,5 | 26,0 | 26,5 | 26,0 | 22,5 | 21,5 | 19,9 | 17,5 | 15,7 | 12,7 | 11,8 | 15,0 |
| 16,0 |        |       | 24,5 | 24,0 | 24,5 | 24,5 | 21,5 | 20,5 | 18,9 | 16,7 | 15,2 | 12,7 | 11,8 | 16,0 |
| 18,0 |        |       | 22,0 | 21,5 | 21,0 | 22,0 | 19,2 | 18,5 | 17,3 | 15,3 | 14,2 | 12,1 | 11,8 | 18,0 |
| 20,0 |        |       | 16,9 | 18,4 | 17,8 | 18,6 | 17,3 | 16,7 | 15,8 | 14,1 | 13,2 | 11,3 | 11,3 | 20,0 |
| 22,0 |        |       |      | 15,7 | 16,1 | 16,0 | 15,5 | 15,1 | 14,5 | 13,0 | 12,3 | 10,5 | 10,6 | 22,0 |
| 24,0 |        |       |      | 13,6 | 14,4 | 13,8 | 14,2 | 13,5 | 13,4 | 12,0 | 11,4 | 9,7  | 9,9  | 24,0 |
| 26,0 |        |       |      |      | 12,7 | 12,1 | 12,6 | 11,7 | 12,2 | 11,1 | 10,5 | 9,0  | 9,2  | 26,0 |
| 28,0 |        |       |      |      | 11,2 | 11,3 | 11,1 | 10,5 | 10,7 | 10,3 | 9,8  | 8,4  | 8,5  | 28,0 |
| 30,0 |        |       |      |      | 7,7  | 10,4 | 9,8  | 9,9  | 9,4  | 9,4  | 9,1  | 7,7  | 7,9  | 30,0 |
| 32,0 |        |       |      |      |      | 9,3  | 8,7  | 9,0  | 8,4  | 8,4  | 8,3  | 7,2  | 7,4  | 32,0 |
| 34,0 |        |       |      |      |      |      | 7,4  | 7,8  | 7,6  | 7,4  | 7,8  | 6,8  | 6,9  | 34,0 |
| 36,0 |        |       |      |      |      |      |      | 7,3  | 7,1  | 6,9  | 7,0  | 6,4  | 6,4  | 36,0 |
| 38,0 |        |       |      |      |      |      |      | 6,2  | 6,5  | 6,6  | 6,2  | 6,1  | 6,0  | 38,0 |
| 40,0 |        |       |      |      |      |      |      |      | 5,9  | 5,9  | 5,8  | 5,6  | 5,5  | 40,0 |
| 42,0 |        |       |      |      |      |      |      |      | 5    | 5,4  | 5,0  | 5,1  | 5,0  | 42,0 |
| 44,0 |        |       |      |      |      |      |      |      |      | 4,8  | 4,7  | 4,6  | 4,5  | 44,0 |
| 46,0 |        |       |      |      |      |      |      |      |      | 3,7  | 4,3  | 4,3  | 4,1  | 46,0 |
| 48,0 |        |       |      |      |      |      |      |      |      | 3,3  | 3,8  | 4,0  | 3,7  | 48,0 |
| 50,0 |        |       |      |      |      |      |      |      |      |      |      | 3,5  | 3,3  | 50,0 |
| 52,0 |        |       |      |      |      |      |      |      |      |      |      | 3,2  | 2,9  | 52,0 |
| 54,0 |        |       |      |      |      |      |      |      |      |      |      |      | 2,4  | 54,0 |
| 56,0 |        |       |      |      |      |      |      |      |      |      |      |      | 2,1  | 56,0 |

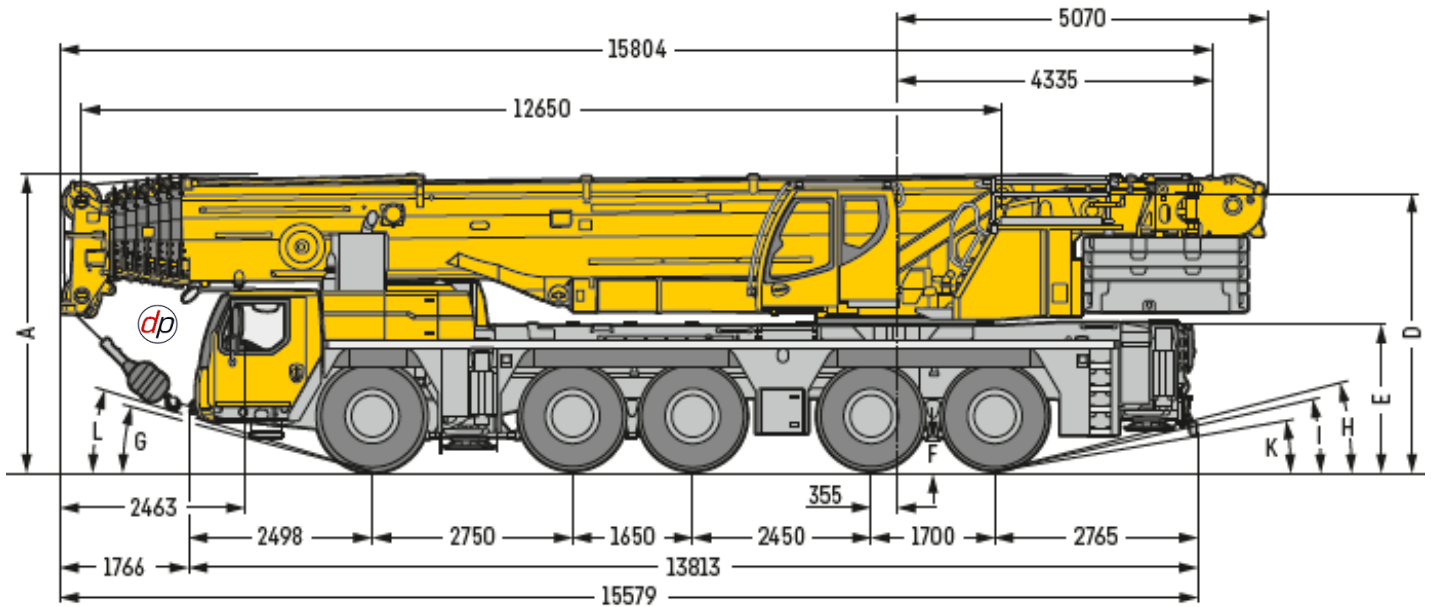
\*Nominal capacity - Over rear with special equipment. Grove GMK5150L-1







## 230 TONNE ALL TERRAIN CRANE (LIEBHERR, LTM 1230-5.1)



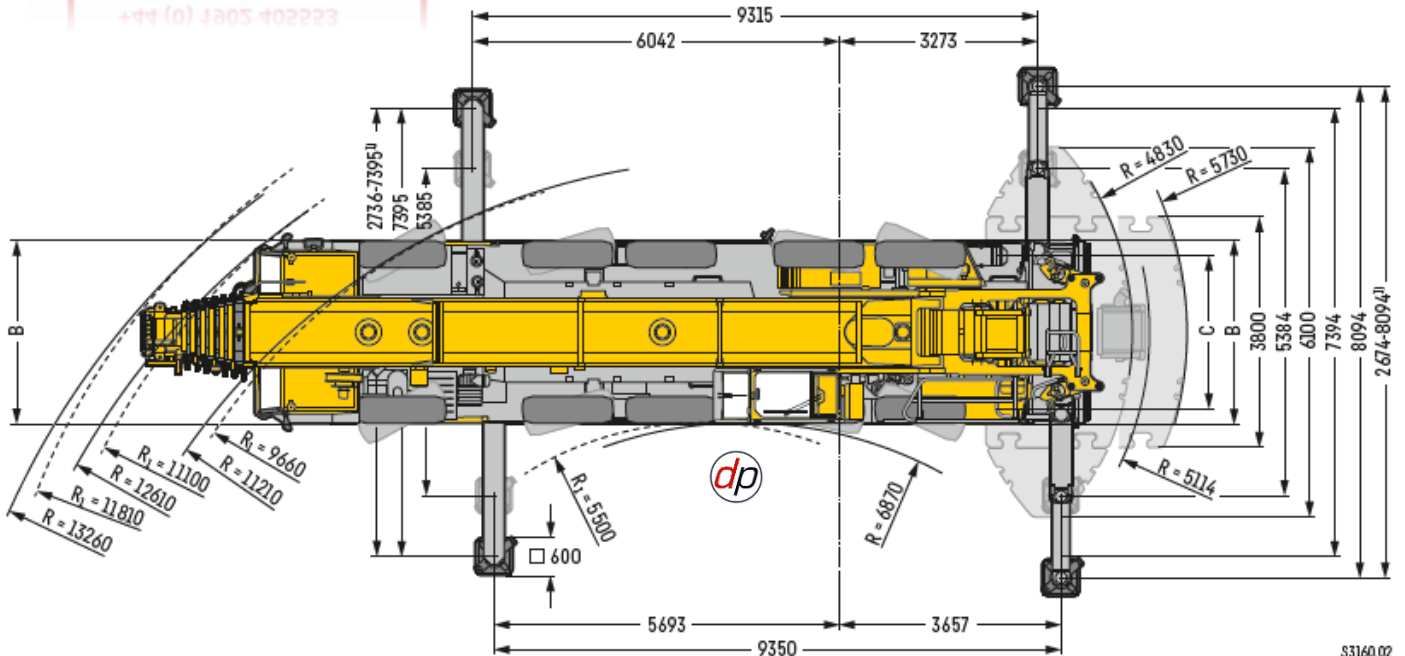
### NEED ADVICE?

We have experienced staff who can help you. We can visit your site to discuss your needs.

+44 (0) 1902 405553

+44 (0) 1902 402223

# LIEBHERR LTM 1230-5.1



53160.02

### Dimensions

|                          | A    | A<br>125 mm* | B    | C    | D    | E    | F   | G   | H   | I   | K  | L   |
|--------------------------|------|--------------|------|------|------|------|-----|-----|-----|-----|----|-----|
| 385/95 R 25 (14.00 R 25) | 3950 | 3825         | 3000 | 2610 | 3700 | 1900 | 335 | 13° | 13° | 11° | 8° | 15° |
| 445/95 R 25 (16.00 R 25) | 4000 | 3875         | 3000 | 2550 | 3750 | 1950 | 385 | 15° | 14° | 13° | 9° | 16° |
| 525/80 R 25 (20.5 R 25)  | 4000 | 3875         | 3100 | 2570 | 3750 | 1950 | 385 | 15° | 14° | 13° | 9° | 16° |

\* abgesenkt • lowered • abaisé • abbassato • suspensión abajo • шасси опущено



SCAN ME

## 230 TONNE ALL TERRAIN CRANE (LIEBHERR, LTM 1230-5.1)



BALLAST AS CARRIED FOR UK ROAD TRAVEL.



|     | 12,7 m | 16,7 m | 20,8 m | 24,8 m | 28,8 m | 32,9 m | 36,9 m | 39,5 m | 40,9 m | 44,9 m | 48,5 m |     |
|-----|--------|--------|--------|--------|--------|--------|--------|--------|--------|--------|--------|-----|
| 3   | 134    | 122,1  | 121,4  |        |        |        |        |        |        |        |        | 3   |
| 3,5 | 133,8  | 123,1  | 122    | 121,2  |        |        |        |        |        |        |        | 3,5 |
| 4   | 125,6  | 123,1  | 121,7  | 119,8  | 105,9  |        |        |        |        |        |        | 4   |
| 4,5 | 116,2  | 115,4  | 114,8  | 111,5  | 106,3  |        |        |        |        |        |        | 4,5 |
| 5   | 107,9  | 107,8  | 107,2  | 103,7  | 95,7   | 89,6   |        |        |        |        |        | 5   |
| 6   | 92,3   | 93     | 89,4   | 82,6   | 78,2   | 74     | 68,6   |        |        |        |        | 6   |
| 7   | 77,1   | 75,9   | 71,7   | 68,3   | 64,2   | 59,8   | 55,7   | 25,9   | 52     | 43     |        | 7   |
| 8   | 63,2   | 60,6   | 58,2   | 56     | 52,9   | 49,6   | 46,4   | 24,3   | 43,6   | 40,9   |        | 8   |
| 9   | 50,4   | 50,7   | 49,3   | 47,1   | 44,7   | 42,1   | 39,8   | 22,8   | 38,8   | 36,7   | 20,1   | 9   |
| 10  | 40,5   | 42,9   | 41,9   | 40,4   | 38,6   | 36,3   | 36     | 21,4   | 34,1   | 32,4   | 19,4   | 10  |
| 11  | 33,5   | 35,9   | 36,4   | 35,2   | 33,7   | 32,8   | 31,7   | 20,1   | 30,5   | 29     | 18,6   | 11  |
| 12  |        | 30,5   | 31,8   | 31     | 29,7   | 29,7   | 28,1   | 18,8   | 27,2   | 26     | 17,9   | 12  |
| 13  |        | 26,3   | 27,5   | 27,6   | 27     | 26,6   | 25,4   | 17,7   | 24,8   | 23,8   | 17,1   | 13  |
| 14  |        | 22,9   | 24,2   | 24,5   | 24,9   | 24     | 22,9   | 16,6   | 22,5   | 21,8   | 16,3   | 14  |
| 15  |        | 20,2   | 21,4   | 21,7   | 22,5   | 21,7   | 21,3   | 15,7   | 20,6   | 19,9   | 15,6   | 15  |
| 16  |        |        | 19,1   | 20     | 20,3   | 19,8   | 19,7   | 14,8   | 18,8   | 18,2   | 15     | 16  |
| 18  |        |        | 15,4   | 16,4   | 16,5   | 17     | 16,6   | 13,3   | 16,1   | 15,7   | 13,8   | 18  |
| 20  |        |        |        | 13,6   | 13,8   | 14,2   | 14     | 12     | 14,1   | 13,4   | 12,7   | 20  |
| 22  |        |        |        | 11,5   | 11,7   | 12     | 12     | 10,8   | 12     | 11,6   | 11,5   | 22  |
| 24  |        |        |        |        | 10     | 10,3   | 10,2   | 9,9    | 10,1   | 9,8    | 9,9    | 24  |
| 26  |        |        |        |        | 8,6    | 8,8    | 8,7    | 8,8    | 8,7    | 8,3    | 8,5    | 26  |
| 28  |        |        |        |        |        | 7,6    | 7,4    | 7,6    | 7,4    | 7,1    | 7,2    | 28  |
| 30  |        |        |        |        |        | 6,6    | 6,4    | 6,5    | 6,4    | 6,1    | 6,2    | 30  |
| 32  |        |        |        |        |        |        | 5,5    | 5,7    | 5,5    | 5,2    | 5,3    | 32  |
| 34  |        |        |        |        |        |        | 4,8    | 4,9    | 4,7    | 4,5    | 4,6    | 34  |
| 36  |        |        |        |        |        |        |        | 4,3    | 4,2    | 3,9    | 4      | 36  |
| 38  |        |        |        |        |        |        |        | 3,9    | 3,7    | 3,5    | 3,5    | 38  |
| 40  |        |        |        |        |        |        |        |        |        | 3      | 3,1    | 40  |
| 42  |        |        |        |        |        |        |        |        |        | 2,7    | 2,7    | 42  |
| 44  |        |        |        |        |        |        |        |        |        |        | 2,4    | 44  |
| 46  |        |        |        |        |        |        |        |        |        |        | 2      | 46  |

|    | 48,9 m | 52,9 m | 56,9 m | 57,4 m | 60,8 m | 64,8 m | 66,2 m | 68,8 m | 69,7 m | 70,2 m | 72,3 m | 74,1 m | 75 m |    |
|----|--------|--------|--------|--------|--------|--------|--------|--------|--------|--------|--------|--------|------|----|
| 8  | 38,9   |        |        |        |        |        |        |        |        |        |        |        |      | 8  |
| 9  | 34,6   | 32,8   |        |        |        |        |        |        |        |        |        |        |      | 9  |
| 10 | 30,5   | 28,7   | 27,1   | 16,8   |        |        |        |        |        |        |        |        |      | 10 |
| 11 | 27,5   | 26,1   | 24,7   | 16,5   | 22,7   |        |        |        |        |        |        |        |      | 11 |
| 12 | 24,7   | 23,5   | 22,3   | 16,1   | 21,1   | 19,7   | 14     |        |        |        |        |        |      | 12 |
| 13 | 22,8   | 21,8   | 20,6   | 15,6   | 19,4   | 18,1   | 13,8   | 16,3   | 15,3   | 12,9   | 12,5   |        |      | 13 |
| 14 | 20,7   | 19,7   | 18,8   | 15,1   | 17,8   | 16,7   | 13,5   | 15,6   | 15,2   | 12,7   | 12,7   | 12     | 11,7 | 14 |
| 15 | 18,9   | 18,3   | 17,5   | 14,6   | 16,6   | 15,6   | 13,2   | 14,3   | 14,2   | 12,5   | 12,6   | 11,9   | 11,6 | 15 |
| 16 | 17,8   | 16,9   | 16,2   | 14,2   | 15,3   | 14,2   | 12,9   | 13     | 12,9   | 12,3   | 12,3   | 11,6   | 11,3 | 16 |
| 18 | 15     | 14,2   | 13,7   | 13,3   | 12,8   | 11,8   | 12,1   | 10,8   | 10,7   | 11,2   | 10,5   | 10,2   | 9,9  | 18 |
| 20 | 12,9   | 12,1   | 11,6   | 12     | 10,8   | 9,9    | 10,2   | 9      | 9      | 9,4    | 8,8    | 8,5    | 8,3  | 20 |
| 22 | 11,1   | 10,4   | 9,9    | 10,3   | 9,2    | 8,4    | 8,7    | 7,5    | 7,5    | 8      | 7,4    | 7,1    | 7    | 22 |
| 24 | 9,5    | 9      | 8,5    | 8,9    | 7,8    | 7,1    | 7,5    | 6,3    | 6,3    | 6,8    | 6,2    | 6      | 5,8  | 24 |
| 26 | 8,1    | 7,6    | 7,3    | 7,7    | 6,7    | 6      | 6,4    | 5,3    | 5,3    | 5,7    | 5,2    | 5      | 4,8  | 26 |
| 28 | 6,9    | 6,4    | 6,2    | 6,5    | 5,6    | 5      | 5,4    | 4,3    | 4,4    | 4,8    | 4,3    | 4,1    | 4    | 28 |
| 30 | 5,8    | 5,4    | 5,1    | 5,5    | 4,6    | 4,2    | 4,6    | 3,5    | 3,6    | 4      | 3,6    | 3,4    | 3,2  | 30 |
| 32 | 4,9    | 4,5    | 4,3    | 4,6    | 3,9    | 3,5    | 3,9    | 2,8    | 2,8    | 3,4    | 2,9    | 2,7    | 2,6  | 32 |
| 34 | 4,2    | 3,9    | 3,7    | 4      | 3,3    | 2,8    | 3,3    | 2,1    | 2,2    | 2,7    | 2,2    | 2,1    | 2    | 34 |
| 36 | 3,7    | 3,4    | 3,2    | 3,5    | 2,8    | 2,2    | 2,7    | 1,5    | 1,6    | 2,2    | 1,7    | 1,5    | 1,3  | 36 |
| 38 | 3,2    | 2,9    | 2,7    | 3      | 2,3    | 1,7    | 2,2    |        |        | 1,7    |        |        |      | 38 |
| 40 | 2,8    | 2,5    | 2,3    | 2,6    | 1,8    | 1,1    | 1,7    |        |        | 1,1    |        |        |      | 40 |
| 42 | 2,4    | 2,1    | 1,8    | 2,2    | 1,3    |        | 1,2    |        |        |        |        |        |      | 42 |
| 44 | 2,1    | 1,7    | 1,4    | 1,8    |        |        |        |        |        |        |        |        |      | 44 |
| 46 | 1,7    | 1,3    |        | 1,4    |        |        |        |        |        |        |        |        |      | 46 |
| 48 |        |        |        | 1      |        |        |        |        |        |        |        |        |      | 48 |



SCAN ME

## 230 TONNE ALL TERRAIN CRANE (LIEBHERR, LTM 1230-5.1)



REQUIRES EXTRA BALLAST DELIVERY BY TRANSPORT.



|     | 12,7 m | 16,7 m | 20,8 m | 24,8 m | 28,8 m | 32,9 m | 36,9 m | 40,9 m | 44,9 m |     |
|-----|--------|--------|--------|--------|--------|--------|--------|--------|--------|-----|
| 3   | 134    | 122,1  | 121,4  |        |        |        |        |        |        | 3   |
| 3,5 | 134    | 123,1  | 122    | 121,2  |        |        |        |        |        | 3,5 |
| 4   | 129    | 124,2  | 122,8  | 121,8  | 105,9  |        |        |        |        | 4   |
| 4,5 | 120,1  | 119,3  | 119,2  | 116,2  | 106,3  |        |        |        |        | 4,5 |
| 5   | 112,3  | 112,2  | 111,7  | 106,8  | 102,2  | 91,1   |        |        |        | 5   |
| 6   | 98,6   | 98,9   | 98,3   | 95,7   | 90,9   | 86,9   | 80     |        |        | 6   |
| 7   | 87,4   | 88,1   | 88,2   | 86,8   | 82,9   | 79,6   | 75,6   | 66,5   | 43     | 7   |
| 8   | 77,5   | 78,6   | 78,4   | 78,6   | 76     | 72,5   | 68,8   | 65,3   | 51,8   | 8   |
| 9   | 68,6   | 69,8   | 69,7   | 70,2   | 68,3   | 65,7   | 63,3   | 60,7   | 49     | 9   |
| 10  | 60,5   | 61,8   | 61,7   | 62,5   | 60,7   | 59,2   | 56,4   | 53,6   | 46,1   | 10  |
| 11  | 52,6   | 54,9   | 55,6   | 55,7   | 53,7   | 52,6   | 50,1   | 47,5   | 43,4   | 11  |
| 12  |        | 49,2   | 49,9   | 49,9   | 48,8   | 47     | 44,8   | 42,5   | 40,2   | 12  |
| 13  |        | 43,7   | 44,6   | 44,7   | 44,3   | 42,4   | 40,5   | 38,3   | 36,3   | 13  |
| 14  |        | 39,1   | 39,6   | 39,7   | 40,2   | 38,4   | 36,7   | 34,8   | 33,5   | 14  |
| 15  |        | 34,9   | 35,3   | 36,4   | 36,3   | 35,1   | 33,5   | 31,9   | 30,5   | 15  |
| 16  |        |        | 32,1   | 32,9   | 32,8   | 32,2   | 30,7   | 29,3   | 28,7   | 16  |
| 18  |        |        | 27     | 27,3   | 27,2   | 26,8   | 26,1   | 25,6   | 25,2   | 18  |
| 20  |        |        |        | 23,1   | 23     | 22,6   | 22,3   | 22,8   | 21,8   | 20  |
| 22  |        |        |        | 19,9   | 19,7   | 19,3   | 20,1   | 19,5   | 19,3   | 22  |
| 24  |        |        |        |        | 17,2   | 17,8   | 17,5   | 16,9   | 16,8   | 24  |
| 26  |        |        |        |        | 15,1   | 15,8   | 15,4   | 14,9   | 15     | 26  |
| 28  |        |        |        |        |        | 14     | 13,6   | 13,5   | 13,4   | 28  |
| 30  |        |        |        |        |        | 12,5   | 12,1   | 12,4   | 11,9   | 30  |
| 32  |        |        |        |        |        |        | 10,8   | 11,1   | 10,8   | 32  |
| 34  |        |        |        |        |        |        | 10,3   | 10     | 10     | 34  |
| 36  |        |        |        |        |        |        |        | 9      | 9      | 36  |
| 38  |        |        |        |        |        |        |        | 8,2    | 8,3    | 38  |
| 40  |        |        |        |        |        |        |        |        | 7,5    | 40  |
| 42  |        |        |        |        |        |        |        |        | 6,8    | 42  |

|    | 48,9 m | 52,9 m | 56,9 m | 57,4 m | 60,8 m | 64,8 m | 66,2 m | 68,8 m | 69,7 m | 70,2 m | 72,3 m | 74,1 m | 75 m |    |
|----|--------|--------|--------|--------|--------|--------|--------|--------|--------|--------|--------|--------|------|----|
| 8  | 39,2   |        |        |        |        |        |        |        |        |        |        |        |      | 8  |
| 9  | 42,1   | 34,9   |        |        |        |        |        |        |        |        |        |        |      | 9  |
| 10 | 40     | 34     | 28,8   | 16,8   |        |        |        |        |        |        |        |        |      | 10 |
| 11 | 38     | 32,9   | 28,3   | 16,5   | 23,8   |        |        |        |        |        |        |        |      | 11 |
| 12 | 36,1   | 31,9   | 27,4   | 16,1   | 23,5   | 19,7   | 14     |        |        |        |        |        |      | 12 |
| 13 | 34,3   | 30,8   | 26,4   | 15,6   | 22,8   | 19,5   | 13,8   | 16,4   | 15,3   | 12,9   | 12,5   |        |      | 13 |
| 14 | 31,7   | 29,7   | 25,5   | 15,1   | 22,1   | 19,2   | 13,5   | 16,2   | 15,6   | 12,7   | 12,7   | 12     | 11,7 | 14 |
| 15 | 29,7   | 28,4   | 24,6   | 14,6   | 21,4   | 18,8   | 13,2   | 15,9   | 15,4   | 12,5   | 12,6   | 11,9   | 11,6 | 15 |
| 16 | 27,9   | 26,6   | 23,7   | 14,2   | 20,7   | 18,2   | 12,9   | 15,6   | 15,1   | 12,3   | 12,3   | 11,7   | 11,4 | 16 |
| 18 | 24     | 22,7   | 22     | 13,3   | 19,4   | 17,2   | 12,4   | 14,9   | 14,4   | 11,8   | 11,9   | 11,3   | 11   | 18 |
| 20 | 20,7   | 20,1   | 19,1   | 12,5   | 18,2   | 16,2   | 11,8   | 14,3   | 13,8   | 11,3   | 11,4   | 10,8   | 10,6 | 20 |
| 22 | 18,4   | 18     | 17,1   | 11,7   | 16,1   | 15,3   | 11,2   | 13,6   | 13,2   | 10,8   | 10,9   | 10,4   | 10,2 | 22 |
| 24 | 16,7   | 16     | 15,2   | 10,9   | 14,7   | 14,1   | 10,5   | 12,9   | 12,6   | 10,2   | 10,4   | 9,9    | 9,7  | 24 |
| 26 | 14,7   | 14,1   | 13,6   | 10,1   | 13,2   | 12,5   | 9,8    | 12     | 11,9   | 9,7    | 9,9    | 9,4    | 9,3  | 26 |
| 28 | 12,9   | 13     | 12,5   | 9,3    | 11,9   | 11,6   | 9,2    | 10,8   | 10,8   | 9,1    | 9,5    | 8,9    | 8,8  | 28 |
| 30 | 11,6   | 11,7   | 11,2   | 8,6    | 11     | 10,4   | 8,6    | 9,6    | 9,6    | 8,6    | 9      | 8,4    | 8,3  | 30 |
| 32 | 10,7   | 10,3   | 10,3   | 8      | 10     | 9,3    | 8      | 8,5    | 8,6    | 8      | 8,4    | 7,9    | 7,8  | 32 |
| 34 | 9,6    | 9,5    | 9,3    | 7,4    | 8,8    | 8,3    | 7,5    | 7,6    | 7,6    | 7,6    | 7,6    | 7,3    | 7,2  | 34 |
| 36 | 8,6    | 8,5    | 8,3    | 6,9    | 7,8    | 7,4    | 7      | 6,8    | 6,8    | 7,1    | 6,7    | 6,6    | 6,4  | 36 |
| 38 | 8      | 7,7    | 7,4    | 6,4    | 6,9    | 6,5    | 6,5    | 5,9    | 6      | 6,4    | 6      | 5,9    | 5,7  | 38 |
| 40 | 7,3    | 6,9    | 6,6    | 6      | 6,1    | 5,7    | 6      | 5,1    | 5,2    | 5,7    | 5,2    | 5,1    | 5    | 40 |
| 42 | 6,6    | 6,2    | 5,9    | 5,5    | 5,4    | 5      | 5,4    | 4,5    | 4,5    | 5      | 4,6    | 4,5    | 4,4  | 42 |
| 44 | 6      | 5,5    | 5,2    | 5,2    | 4,8    | 4,4    | 4,7    | 3,9    | 4      | 4,4    | 4      | 4      | 3,9  | 44 |
| 46 | 5,4    | 5      | 4,7    | 4,8    | 4,3    | 3,9    | 4,2    | 3,5    | 3,5    | 3,9    | 3,6    | 3,5    | 3,4  | 46 |
| 48 |        | 4,5    | 4,2    | 4,5    | 3,9    | 3,5    | 3,8    | 3,1    | 3,1    | 3,5    | 3,2    | 3,1    | 3    | 48 |
| 50 |        | 4,1    | 3,9    | 4,1    | 3,5    | 3,1    | 3,4    | 2,7    | 2,7    | 3,1    | 2,8    | 2,7    | 2,6  | 50 |
| 52 |        |        | 3,5    | 3,8    | 3,1    | 2,7    | 3,1    | 2,2    | 2,3    | 2,8    | 2,4    | 2,3    | 2,2  | 52 |
| 54 |        |        | 3,2    | 3,5    | 2,8    | 2,4    | 2,8    | 1,9    | 1,9    | 2,4    | 2      | 1,9    | 1,9  | 54 |
| 56 |        |        |        |        | 2,4    | 2      | 2,4    | 1,5    | 1,6    | 2,1    | 1,7    | 1,6    | 1,5  | 56 |
| 58 |        |        |        |        | 2,1    | 1,7    | 2,1    | 1,2    | 1,2    | 1,7    | 1,3    | 1,3    | 1,2  | 58 |
| 60 |        |        |        |        |        | 1,4    | 1,8    |        |        | 1,4    | 1      |        |      | 60 |
| 62 |        |        |        |        |        | 1,1    | 1,5    |        |        | 1,2    |        |        |      | 62 |
| 64 |        |        |        |        |        |        | 1,3    |        |        |        |        |        |      | 64 |



SCAN ME

## 230 TONNE ALL TERRAIN CRANE (LIEBHERR, LTM 1230-5.1)



REQUIRES EXTRA BALLAST DELIVERY BY TRANSPORT.



|     | 12,7 m | 16,7 m | 20,8 m | 24,8 m | 28,8 m | 32,9 m | 36,9 m | 40,9 m | 44,9 m |     |
|-----|--------|--------|--------|--------|--------|--------|--------|--------|--------|-----|
| 3   | 230    | 134    | 122,1  | 121,4  |        |        |        |        |        | 3   |
| 3,5 | 145,8  | 134    | 123,1  | 122    | 121,2  |        |        |        |        | 3,5 |
| 4   | 138,5  | 130,8  | 124,2  | 122,8  | 121,8  | 105,9  |        |        |        | 4   |
| 4,5 | 131,8  | 122,4  | 121,7  | 121,4  | 117,1  | 106,3  |        |        |        | 4,5 |
| 5   | 122,8  | 114,9  | 114,7  | 113,2  | 106,8  | 102,2  | 91,1   |        |        | 5   |
| 6   | 107,5  | 101,4  | 101,7  | 99,4   | 95,7   | 90,9   | 86,9   | 80     |        | 6   |
| 7   | 95,5   | 90,6   | 91,2   | 89,8   | 86,8   | 82,9   | 79,6   | 75,6   | 66,5   | 7   |
| 8   | 85,3   | 81,5   | 82,3   | 80,7   | 79,2   | 76     | 72,5   | 68,8   | 65,3   | 8   |
| 9   | 76     | 73,7   | 74,7   | 73,3   | 71,9   | 69,5   | 66,2   | 64     | 61,3   | 9   |
| 10  | 66,4   | 66,4   | 68,1   | 67,1   | 65,9   | 64     | 61     | 59,4   | 56,8   | 10  |
| 11  | 52,6   | 52,6   | 62,2   | 61,8   | 60,8   | 59     | 56,5   | 55,1   | 52,6   | 11  |
| 12  |        |        | 57,1   | 57     | 56,3   | 54,6   | 52,6   | 51,4   | 49     | 12  |
| 13  |        |        | 52,3   | 52,2   | 52,4   | 50,8   | 49,6   | 48,2   | 45,9   | 13  |
| 14  |        |        | 46,3   | 48,1   | 48,8   | 47,5   | 46,9   | 45,3   | 43,1   | 14  |
| 15  |        |        | 37,1   | 44,3   | 45     | 44,5   | 44,1   | 42,7   | 40,6   | 15  |
| 16  |        |        |        | 40,9   | 41,6   | 41,3   | 41,5   | 40,2   | 38,4   | 16  |
| 18  |        |        |        | 34,5   | 35,9   | 35,6   | 36,2   | 35,6   | 34,4   | 18  |
| 20  |        |        |        |        | 31,3   | 31,9   | 31,6   | 31,1   | 30,3   | 20  |
| 22  |        |        |        |        | 26,4   | 28,3   | 27,9   | 27,4   | 26,8   | 22  |
| 24  |        |        |        |        |        | 25,1   | 24,7   | 24,1   | 23,4   | 24  |
| 26  |        |        |        |        |        | 21,4   | 21,9   | 21,4   | 20,6   | 26  |
| 28  |        |        |        |        |        |        | 19,6   | 19     | 18,3   | 28  |
| 30  |        |        |        |        |        |        | 17     | 17     | 17,3   | 30  |
| 32  |        |        |        |        |        |        |        | 15,4   | 16     | 32  |
| 34  |        |        |        |        |        |        |        | 14,4   | 14,5   | 34  |
| 36  |        |        |        |        |        |        |        |        | 13,2   | 36  |
| 38  |        |        |        |        |        |        |        |        | 11,4   | 38  |
| 40  |        |        |        |        |        |        |        |        | 10,7   | 40  |
| 42  |        |        |        |        |        |        |        |        | 9,8    | 42  |

\* nach hinten - over rear - en arrière - sul posteriore - hacia atrás - стерна повернута назад

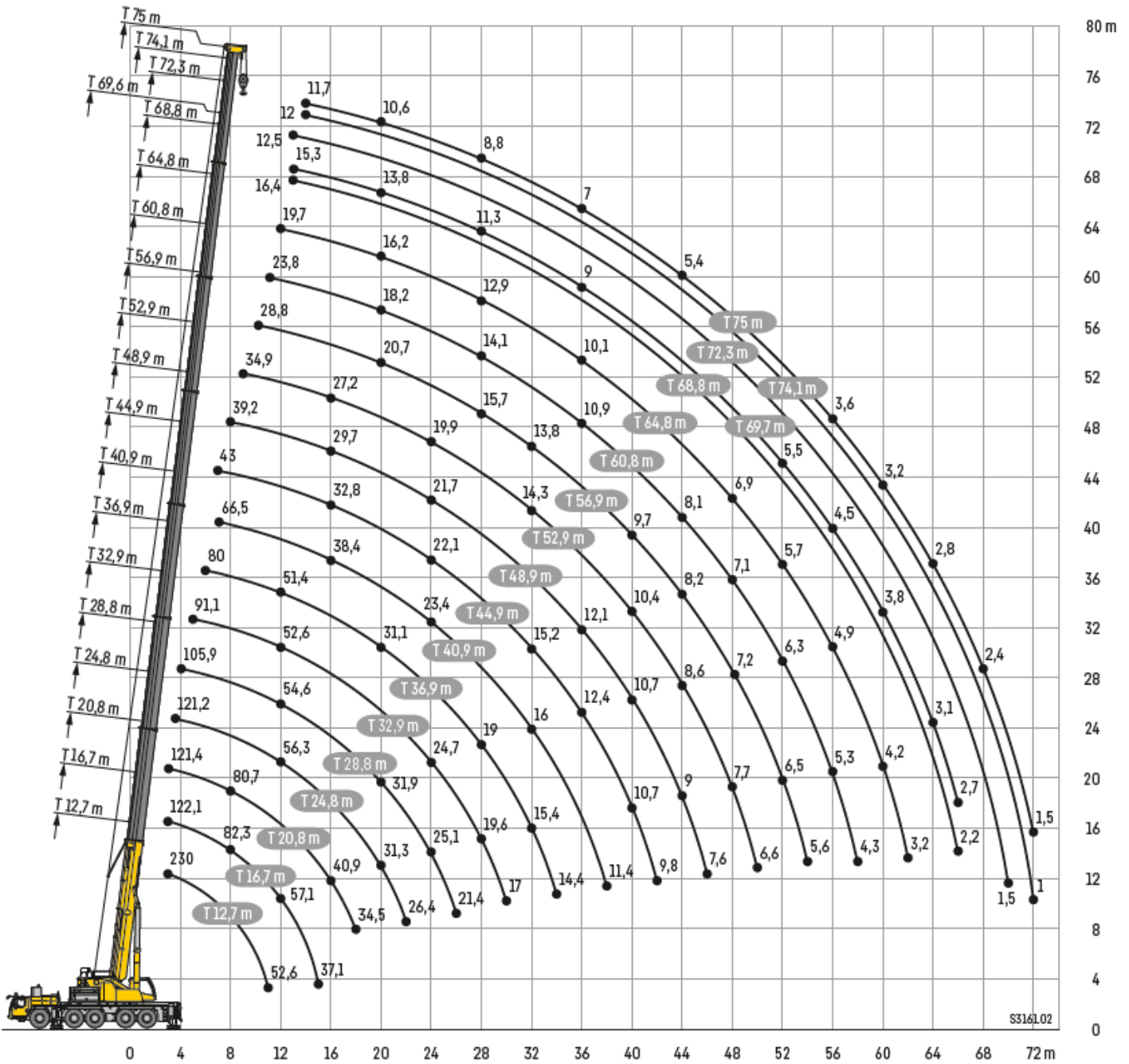
|    | 48,9 m | 52,9 m | 56,9 m | 60,8 m | 64,8 m | 68,8 m | 69,7 m | 72,3 m | 74,1 m | 75 m |    |
|----|--------|--------|--------|--------|--------|--------|--------|--------|--------|------|----|
| 8  | 39,2   |        |        |        |        |        |        |        |        |      | 8  |
| 9  | 42,1   | 34,9   |        |        |        |        |        |        |        |      | 9  |
| 10 | 40     | 34     | 28,8   |        |        |        |        |        |        |      | 10 |
| 11 | 38     | 32,9   | 28,3   | 23,8   |        |        |        |        |        |      | 11 |
| 12 | 36,1   | 31,9   | 27,4   | 23,5   | 19,7   |        |        |        |        |      | 12 |
| 13 | 34,3   | 30,8   | 26,4   | 22,8   | 19,5   | 16,4   | 15,3   | 12,5   |        |      | 13 |
| 14 | 32,6   | 29,7   | 25,5   | 22,1   | 19,2   | 16,2   | 15,6   | 12,7   | 12     | 11,7 | 14 |
| 15 | 31,1   | 28,4   | 24,6   | 21,4   | 18,8   | 15,9   | 15,4   | 12,6   | 11,9   | 11,6 | 15 |
| 16 | 29,7   | 27,2   | 23,7   | 20,7   | 18,2   | 15,6   | 15,1   | 12,3   | 11,7   | 11,4 | 16 |
| 18 | 27,2   | 25,1   | 22,1   | 19,4   | 17,2   | 14,9   | 14,4   | 11,9   | 11,3   | 11   | 18 |
| 20 | 25,3   | 23,2   | 20,7   | 18,2   | 16,2   | 14,3   | 13,8   | 11,4   | 10,8   | 10,6 | 20 |
| 22 | 23,5   | 21,5   | 19,4   | 17,1   | 15,3   | 13,6   | 13,2   | 10,9   | 10,4   | 10,2 | 22 |
| 24 | 21,7   | 19,9   | 18,1   | 16,1   | 14,5   | 12,9   | 12,6   | 10,4   | 9,9    | 9,7  | 24 |
| 26 | 19,9   | 18,5   | 16,9   | 15,1   | 13,7   | 12,3   | 12     | 9,9    | 9,4    | 9,3  | 26 |
| 28 | 18,3   | 17     | 15,7   | 14,1   | 12,9   | 11,6   | 11,3   | 9,5    | 8,9    | 8,8  | 28 |
| 30 | 16,3   | 15,7   | 14,6   | 13,3   | 12,1   | 10,9   | 10,7   | 9      | 8,4    | 8,3  | 30 |
| 32 | 14,9   | 14,3   | 13,8   | 12,4   | 11,4   | 10,3   | 10,1   | 8,6    | 7,9    | 7,9  | 32 |
| 34 | 13,4   | 13,1   | 13     | 11,6   | 10,7   | 9,7    | 9,6    | 8,2    | 7,5    | 7,4  | 34 |
| 36 | 12,1   | 12,2   | 11,9   | 10,9   | 10,1   | 9,2    | 9      | 7,9    | 7,1    | 7    | 36 |
| 38 | 11,4   | 11,4   | 10,8   | 10,2   | 9,5    | 8,6    | 8,5    | 7,5    | 6,7    | 6,6  | 38 |
| 40 | 10,7   | 10,4   | 9,7    | 9,6    | 9      | 8,2    | 8      | 7,2    | 6,3    | 6,2  | 40 |
| 42 | 9,8    | 9,4    | 8,8    | 8,8    | 8,5    | 7,7    | 7,6    | 6,9    | 5,9    | 5,8  | 42 |
| 44 | 9      | 8,6    | 8,2    | 8,1    | 8      | 7,3    | 7,2    | 6,6    | 5,6    | 5,4  | 44 |
| 46 | 7,6    | 8      | 7,8    | 7,7    | 7,5    | 6,9    | 6,8    | 6,3    | 5,3    | 5    | 46 |
| 48 |        | 7,7    | 7,2    | 7,1    | 6,9    | 6,5    | 6,5    | 6      | 5      | 4,7  | 48 |
| 50 |        | 6,6    | 6,8    | 6,6    | 6,3    | 6      | 6,1    | 5,7    | 4,7    | 4,4  | 50 |
| 52 |        |        | 6,5    | 6,3    | 5,7    | 5,4    | 5,5    | 5,4    | 4,4    | 4,1  | 52 |
| 54 |        |        | 5,6    | 5,3    | 5,3    | 4,9    | 5      | 5      | 4,2    | 3,9  | 54 |
| 56 |        |        |        | 5,3    | 4,9    | 4,4    | 4,5    | 4,5    | 4      | 3,6  | 56 |
| 58 |        |        |        | 4,3    | 4,5    | 4,1    | 4,1    | 4,2    | 3,8    | 3,4  | 58 |
| 60 |        |        |        |        | 4,2    | 3,7    | 3,8    | 3,8    | 3,6    | 3,2  | 60 |
| 62 |        |        |        |        | 3,2    | 3,4    | 3,5    | 3,5    | 3,4    | 3    | 62 |
| 64 |        |        |        |        |        | 3,1    | 3,1    | 3,2    | 3,1    | 2,8  | 64 |
| 66 |        |        |        |        |        | 2,2    | 2,7    | 2,9    | 2,8    | 2,7  | 66 |
| 68 |        |        |        |        |        |        |        | 2,6    | 2,5    | 2,4  | 68 |
| 70 |        |        |        |        |        |        |        | 1,5    | 2,2    | 2,1  | 70 |
| 72 |        |        |        |        |        |        |        |        | 1      | 1,5  | 72 |





SCAN ME

**230 TONNE ALL TERRAIN CRANE (LIEBHERR, LTM 1230-5.1)**



**NEED ADVICE?**  
We have experienced staff who can help you. We can visit your site to discuss your needs.  
**+44 (0) 1902 405553**

**LIEBHERR  
LTM 1230-5.1**

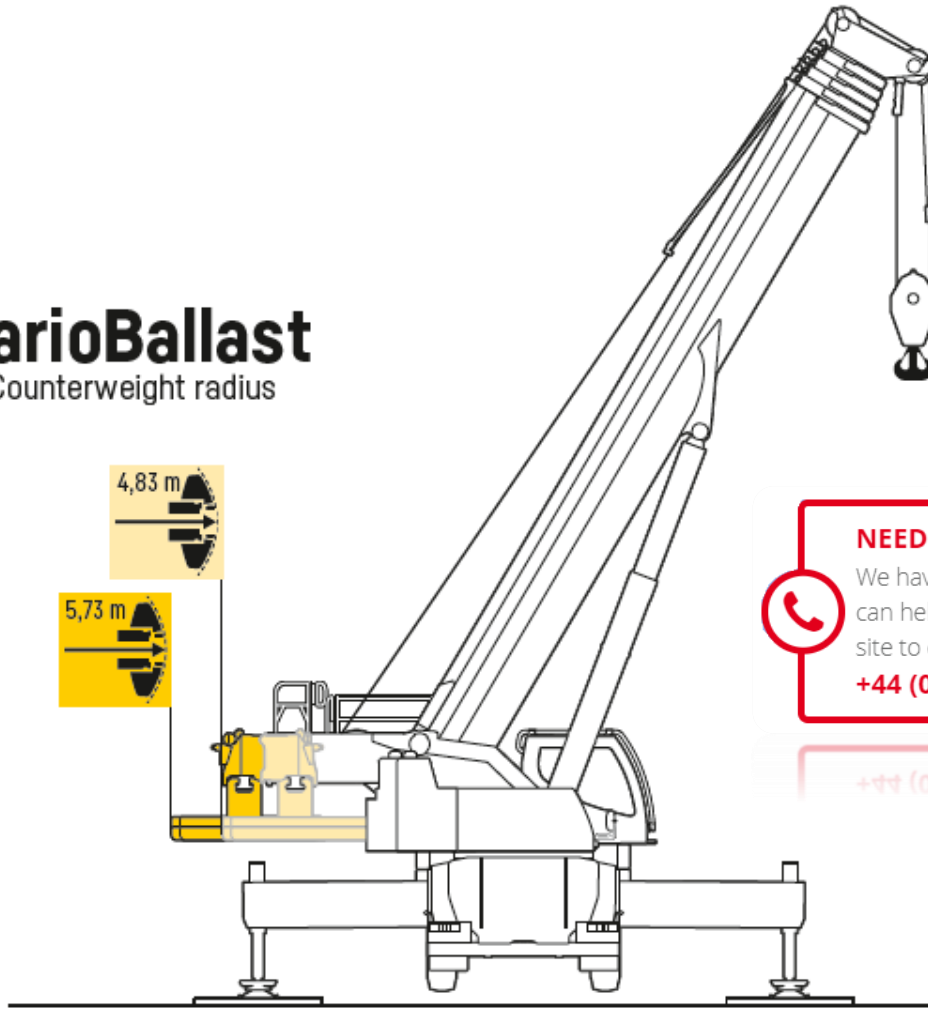




SCAN ME

**230 TONNE ALL TERRAIN CRANE (LIEBHERR, LTM 1230-5.1)**

**VarioBallast**  
 Counterweight radius



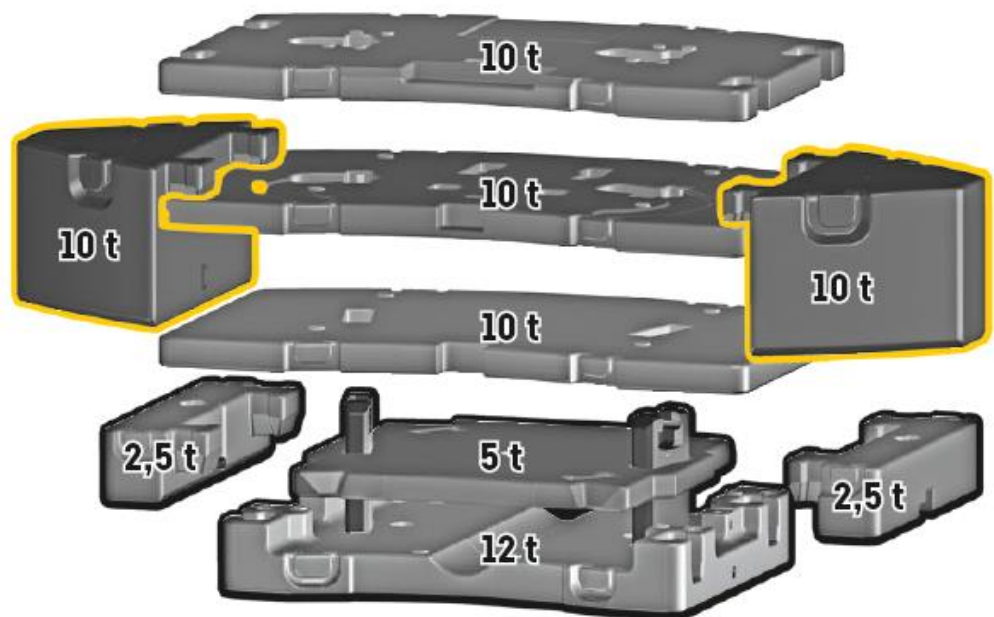
**NEED ADVICE?**

We have experienced staff who can help you. We can visit your site to discuss your needs.

+44 (0) 1902 405553

+44 (0) 1902 405553

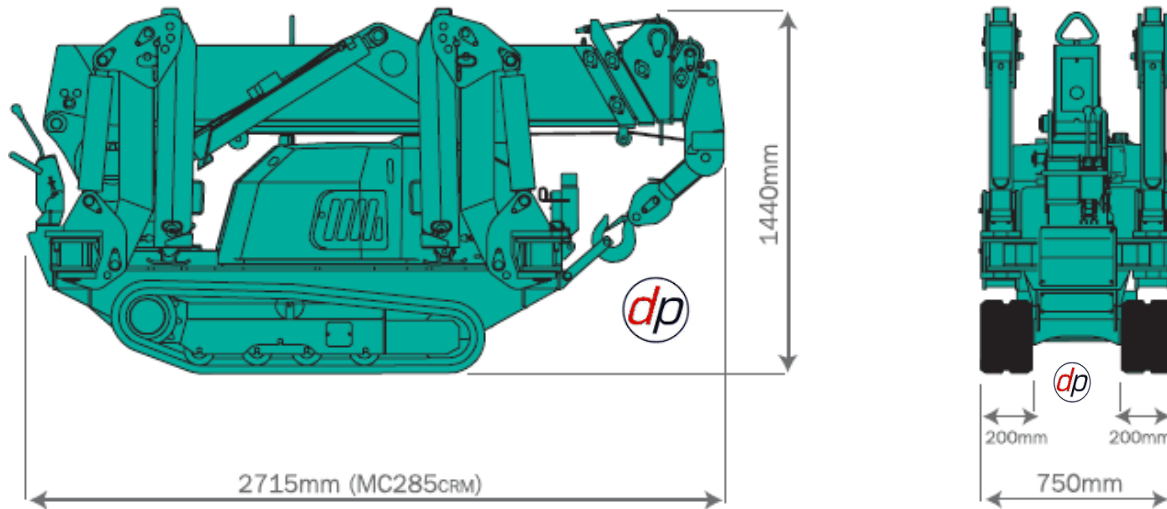
LTM 1230-5.1  
**Ballast**  
 Counterweight





SCAN ME

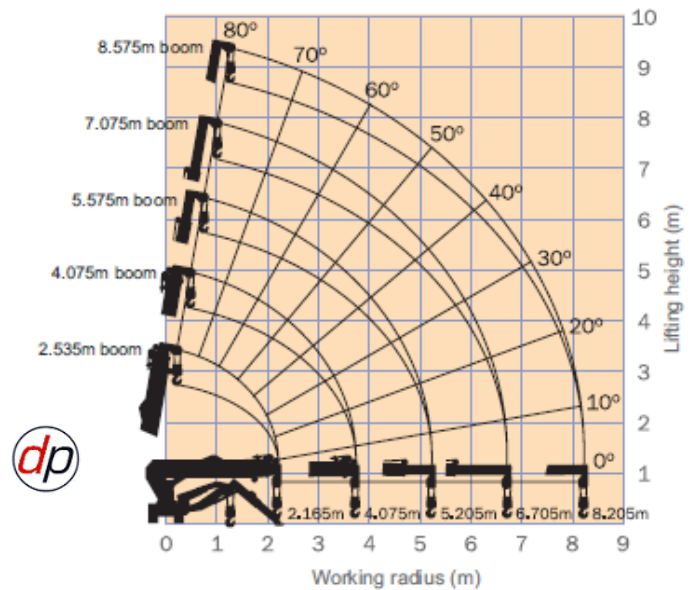
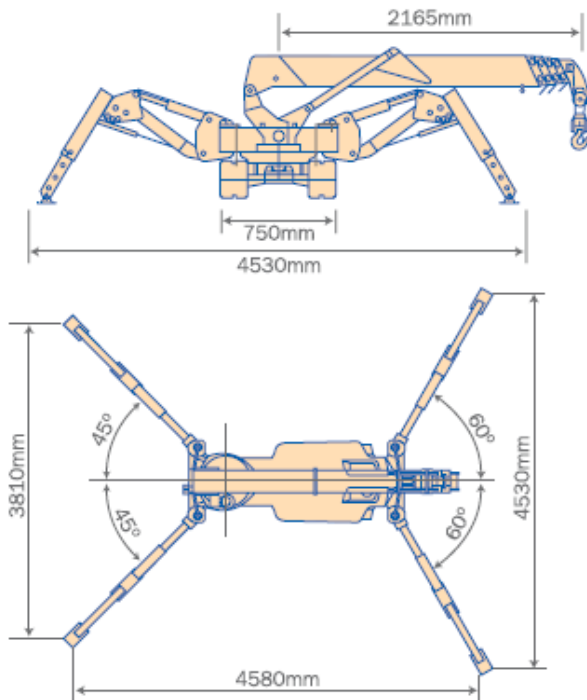
## MINI SPIDER CRANE ( MAEDA MC285 )



**NEED ADVICE?**  
We have experienced staff who can help you. We can visit your site to discuss your needs.  
**+44 (0) 1902 405553**

+44 (0) 1902 402223

## Maeda MC285CRM(E)



The Working Range Chart does not take into account boom deflection under load.

The maximum reach below ground level is:

| Four Fall | Two Fall | Single Fall |
|-----------|----------|-------------|
| 10.10m    | 20.20m   | 40.20m      |

This machine can be connected via a power cable to your local electrical power source, this results in the diesel engine not being required and no emissions produced. Ask a member of our hire team for more details.



SCAN ME

## MINI SPIDER CRANE ( MAEDA MC285 )

### Total rated load Outriggers at Maximum position

| 4.075m boom        |                       | 5.575m boom        |                       | 7.075m boom        |                       | 8.575m boom        |                       |
|--------------------|-----------------------|--------------------|-----------------------|--------------------|-----------------------|--------------------|-----------------------|
| Working radius (m) | Total rated load (kg) | Working radius (m) | Total rated load (kg) | Working radius (m) | Total rated load (kg) | Working radius (m) | Total rated load (kg) |
| < 1.4              | 2820                  | < 3.0              | 1220                  | < 3.6              | 820                   | < 4.0              | 550                   |
| 1.5                | 2520                  | 3.5                | 970                   | 4.0                | 740                   | 4.5                | 400                   |
| 2.0                | 1920                  | 4.0                | 780                   | 4.5                | 580                   | 5.0                | 340                   |
| 2.5                | 1570                  | 4.5                | 630                   | 5.0                | 480                   | 5.5                | 300                   |
| 3.0                | 1220                  | 5.0                | 530                   | 5.5                | 430                   | 6.0                | 270                   |
| 3.5                | 970                   | 5.205              | 530                   | 6.0                | 380                   | 6.5                | 230                   |
| 3.705              | 920                   |                    |                       | 6.5                | 350                   | 7.0                | 200                   |
|                    |                       |                    |                       | 6.705              | 330                   | 7.5                | 180                   |
|                    |                       |                    |                       |                    |                       | 8.0                | 150                   |
|                    |                       |                    |                       |                    |                       | 8.205              | 150                   |

## Maeda MC285CRM(E)



### NEED ADVICE?

We have experienced staff who can help you. We can visit your site to discuss your needs.

**+44 (0) 1902 405553**

+44 (0) 1902 405553

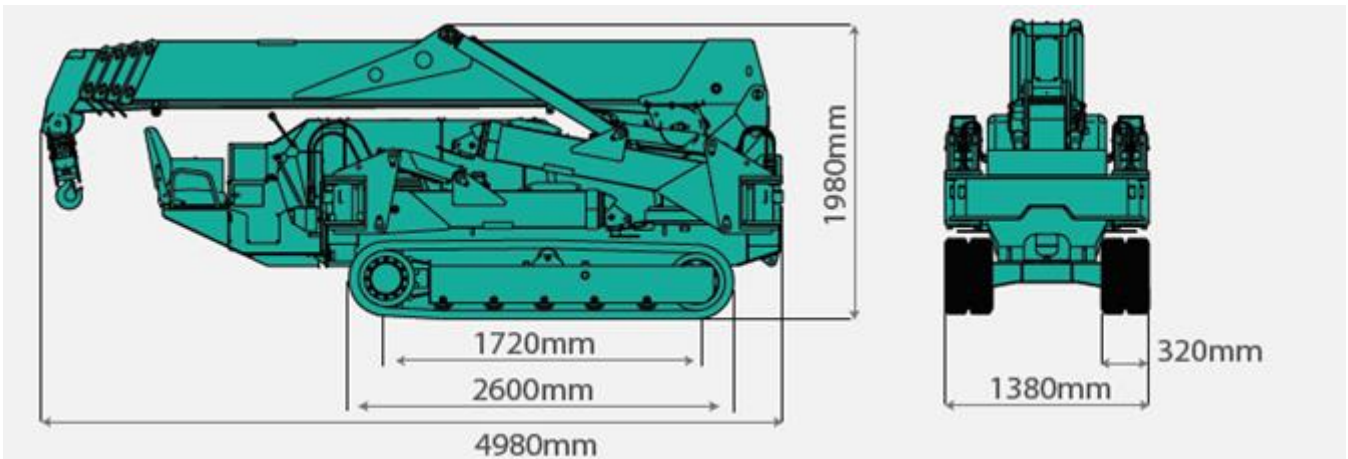






SCAN ME

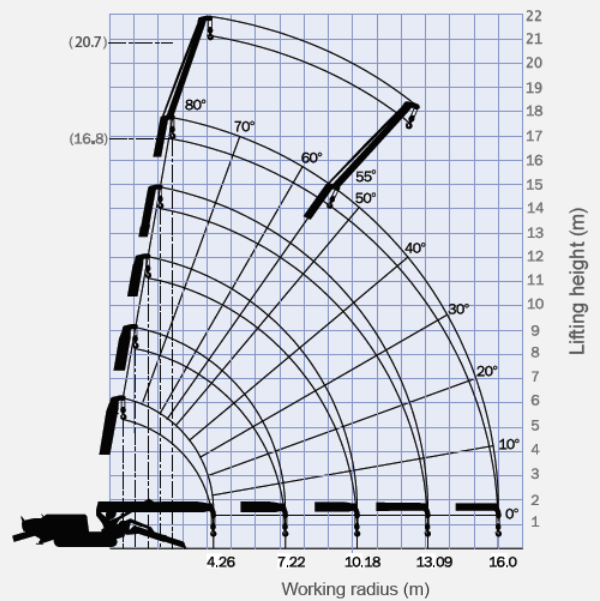
## MINI SPIDER CRANE ( MAEDA MC405 CRM(E)



**NEED ADVICE?**

We have experienced staff who can help you. We can visit your site to discuss your needs.

**+44 (0) 1902 405553**



The Working Range Chart does not take into account boom deflection under load.

## Maeda MC405CRM(E)

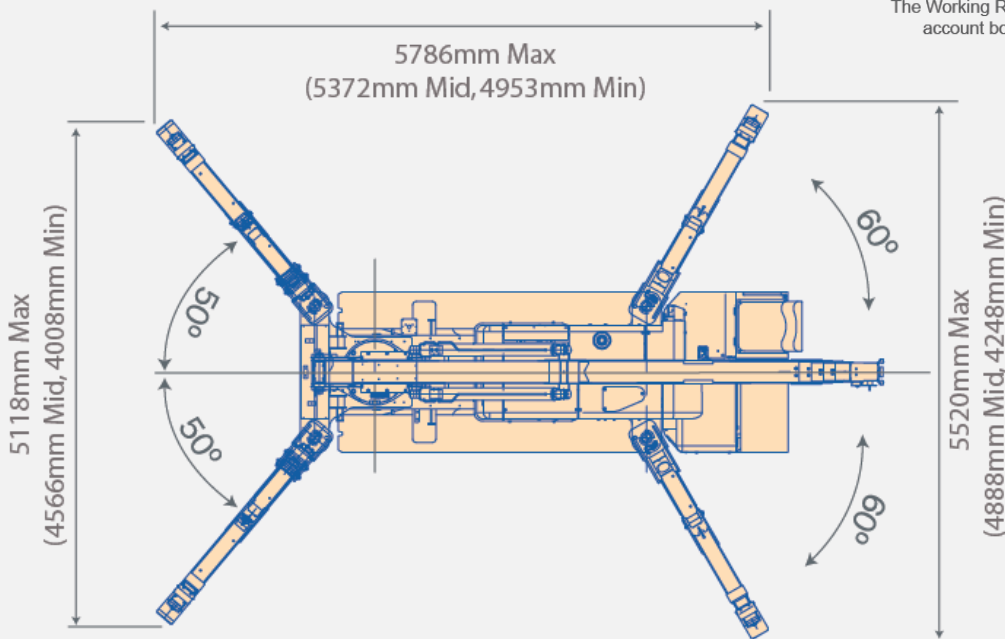


Diagram shows outriggers at maximum position

This machine can be connected via a power cable to your local electrical power source, this results in the diesel engine not being required and no emissions produced. Ask a member of our hire team for more details.



SCAN ME

## MINI SPIDER CRANE ( MAEDA MC405 CRM(E)



### Total rated load Outriggers at Maximum position

| 4.735m/7.695m boom |                       | 10.655m boom       |                       | 13.565m boom       |                       | 16.475m boom       |                       |
|--------------------|-----------------------|--------------------|-----------------------|--------------------|-----------------------|--------------------|-----------------------|
| Working radius (m) | Total rated load (kg) | Working radius (m) | Total rated load (kg) | Working radius (m) | Total rated load (kg) | Working radius (m) | Total rated load (kg) |
| < 2.7              | 3830                  | 3.5                | 3030                  | 4                  | 2230                  | 5                  | 1130                  |
| 3.5                | 3030                  | 4                  | 2580                  | 4.5                | 1930                  | 5.5                | 980                   |
| 4                  | 2580                  | 5                  | 2030                  | 5                  | 1730                  | 6                  | 910                   |
| 5                  | 2030                  | 6                  | 1680                  | 6                  | 1400                  | 7                  | 760                   |
| 6                  | 1680                  | 7                  | 1380                  | 7                  | 1180                  | 8                  | 650                   |
| 7                  | 1380                  | 8                  | 1130                  | 8                  | 1030                  | 9                  | 600                   |
| 7.25               | 1330                  | 9                  | 880                   | 9                  | 930                   | 10                 | 550                   |
|                    |                       | 10.2               | 580                   | 10                 | 830                   | 11                 | 490                   |
|                    |                       |                    |                       | 11                 | 690                   | 12                 | 440                   |
|                    |                       |                    |                       | 12                 | 530                   | 13                 | 380                   |
|                    |                       |                    |                       | 13.1               | 430                   | 14                 | 320                   |
|                    |                       |                    |                       |                    |                       | 15                 | 260                   |
|                    |                       |                    |                       |                    |                       | 16                 | 210                   |

### Total rated load Outriggers at Middle position

| 4.735m/7.695m boom |                       | 10.655m boom       |                       | 13.565m boom       |                       | 16.475m boom       |                       |
|--------------------|-----------------------|--------------------|-----------------------|--------------------|-----------------------|--------------------|-----------------------|
| Working radius (m) | Total rated load (kg) | Working radius (m) | Total rated load (kg) | Working radius (m) | Total rated load (kg) | Working radius (m) | Total rated load (kg) |
| < 2.7              | 3830                  | 3.5                | 3030                  | 4                  | 2230                  | 5                  | 1130                  |
| 3.5                | 3030                  | 4                  | 2580                  | 4.5                | 1830                  | 5.5                | 980                   |
| 4                  | 2580                  | 5                  | 1880                  | 5                  | 1630                  | 6                  | 910                   |
| 5                  | 1880                  | 6                  | 1430                  | 6                  | 1330                  | 7                  | 730                   |
| 6                  | 1430                  | 7                  | 1130                  | 7                  | 1080                  | 8                  | 630                   |
| 7                  | 1160                  | 8                  | 880                   | 8                  | 880                   | 9                  | 550                   |
| 7.25               | 1120                  | 9                  | 740                   | 9                  | 730                   | 10                 | 480                   |
|                    |                       | 10.2               | 490                   | 10                 | 530                   | 11                 | 430                   |
|                    |                       |                    |                       | 11                 | 480                   | 12                 | 380                   |
|                    |                       |                    |                       | 12                 | 430                   | 13                 | 330                   |
|                    |                       |                    |                       | 13.1               | 330                   | 14                 | 280                   |
|                    |                       |                    |                       |                    |                       | 15                 | 220                   |
|                    |                       |                    |                       |                    |                       | 16                 | 180                   |

#### NEED ADVICE?

We have experienced staff who can help you. We can visit your site to discuss your needs.

**+44 (0) 1902 405553**



+44 (0) 1902 405553

### Total rated load Outriggers at Minimum position

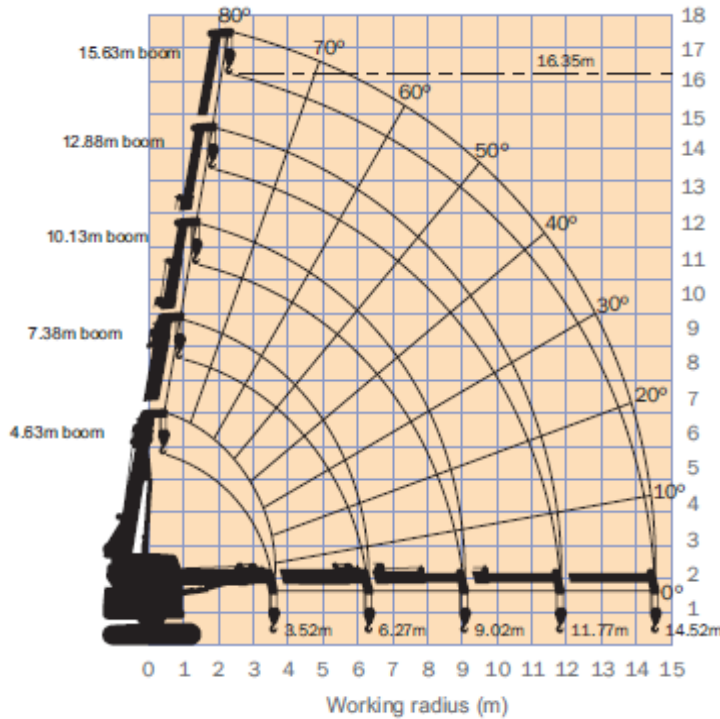
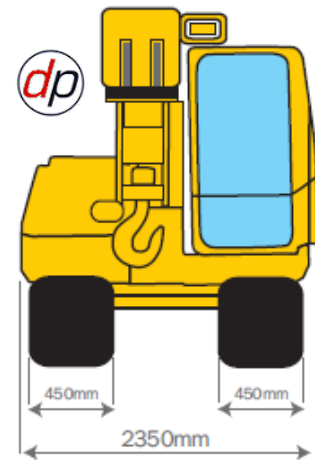
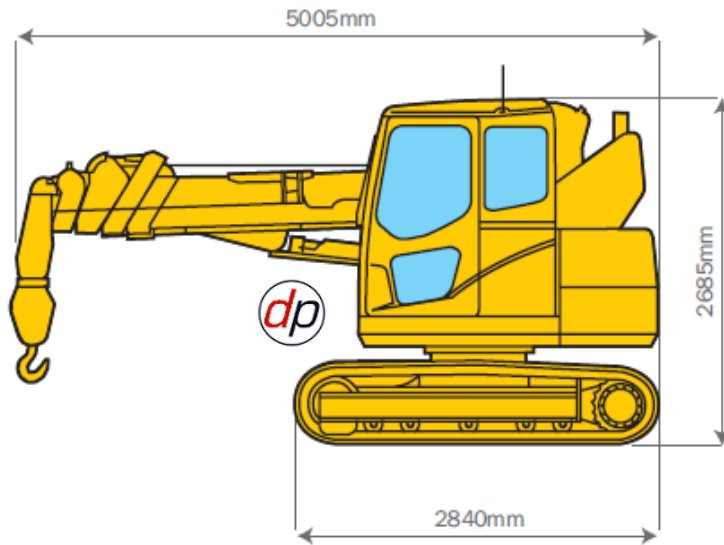
| 4.735m/7.695m boom |                       | 10.655m boom       |                       | 13.565m boom       |                       | 16.475m boom       |                       |
|--------------------|-----------------------|--------------------|-----------------------|--------------------|-----------------------|--------------------|-----------------------|
| Working radius (m) | Total rated load (kg) | Working radius (m) | Total rated load (kg) | Working radius (m) | Total rated load (kg) | Working radius (m) | Total rated load (kg) |
| < 2.7              | 3830                  | 3.5                | 3030                  | 4                  | 2230                  | 5                  | 1130                  |
| 3.5                | 3030                  | 4                  | 2580                  | 4.5                | 1830                  | 5.5                | 980                   |
| 4                  | 2580                  | 5                  | 1680                  | 5                  | 1630                  | 6                  | 880                   |
| 5                  | 1680                  | 6                  | 1180                  | 6                  | 1180                  | 7                  | 730                   |
| 6                  | 1180                  | 7                  | 880                   | 7                  | 830                   | 8                  | 530                   |
| 7                  | 930                   | 8                  | 730                   | 8                  | 680                   | 9                  | 450                   |
| 7.25               | 780                   | 9                  | 580                   | 9                  | 550                   | 10                 | 420                   |
|                    |                       | 10.2               | 400                   | 10                 | 430                   | 11                 | 370                   |
|                    |                       |                    |                       | 11                 | 380                   | 12                 | 330                   |
|                    |                       |                    |                       | 12                 | 350                   | 13                 | 280                   |
|                    |                       |                    |                       | 13.1               | 310                   | 14                 | 240                   |
|                    |                       |                    |                       |                    |                       | 15                 | 190                   |
|                    |                       |                    |                       |                    |                       | 16                 | 150                   |

## Maeda MC405CRM(E)



SCAN ME

## MINI CRAWLER CRANE ( MAEDA LC785 )



The Working Range Chart does not take into account boom deflection under load.

The maximum reach below ground level is:

| Four Fall | Two Fall | Single Fall |
|-----------|----------|-------------|
| 25.10m    | 51.30m   | 104.50m     |

## Maeda LC785

### NEED ADVICE?

We have experienced staff who can help you. We can visit your site to discuss your needs.

**+44 (0) 1902 405553**

+44 (0) 1902 405553



SCAN ME

## MINI CRAWLER CRANE ( MAEDA LC785 )

| Total rated load   |                       |                    |                       |                    |                       |                    |                       |                    |                       |
|--------------------|-----------------------|--------------------|-----------------------|--------------------|-----------------------|--------------------|-----------------------|--------------------|-----------------------|
| 4.63m boom         |                       | 7.38m boom         |                       | 10.13m boom        |                       | 12.88m boom        |                       | 15.63m boom        |                       |
| Working radius (m) | Total rated load (kg) | Working radius (m) | Total rated load (kg) | Working radius (m) | Total rated load (kg) | Working radius (m) | Total rated load (kg) | Working radius (m) | Total rated load (kg) |
| 2.0                | 4900                  | 2.0                | 4900                  | 2.0                | 2600                  | 2.0                | 2000                  | 2.0                |                       |
| 2.5                | 3800                  | 2.5                | 3760                  | 2.5                | 2600                  | 2.5                | 2000                  | 2.5                | 1400                  |
| 3.0                | 2900                  | 3.0                | 2980                  | 3.0                | 2310                  | 3.0                | 2000                  | 3.0                | 1400                  |
| 3.5                | 2290                  | 3.5                | 2420                  | 3.5                | 2010                  | 3.5                | 1890                  | 3.5                | 1400                  |
| 4.0                |                       | 4.0                | 2000                  | 4.0                | 1750                  | 4.0                | 1650                  | 4.0                | 1400                  |
| 4.5                |                       | 4.5                | 1670                  | 4.5                | 1530                  | 4.5                | 1450                  | 4.5                | 1320                  |
| 5.0                |                       | 5.0                | 1400                  | 5.0                | 1340                  | 5.0                | 1280                  | 5.0                | 1200                  |
| 6.0                |                       | 6.0                | 1000                  | 6.0                | 1030                  | 6.0                | 1010                  | 6.0                | 990                   |
| 7.0                |                       | 7.0                |                       | 7.0                | 780                   | 7.0                | 800                   | 7.0                | 820                   |
| 8.0                |                       | 8.0                |                       | 8.0                | 580                   | 8.0                | 630                   | 8.0                | 680                   |
| 9.0                |                       | 9.0                |                       | 9.0                | 410                   | 9.0                | 500                   | 9.0                | 560                   |
| 10.0               |                       | 10.0               |                       | 10.0               |                       | 10.0               | 390                   | 10.0               | 450                   |
| 11.0               |                       | 11.0               |                       | 11.0               |                       | 11.0               | 300                   | 11.0               | 360                   |
| 12.0               |                       | 12.0               |                       | 12.0               |                       | 12.0               |                       | 12.0               | 280                   |
| 13.0               |                       | 13.0               |                       | 13.0               |                       | 13.0               |                       | 13.0               | 210                   |
| 14.0               |                       | 14.0               |                       | 14.0               |                       | 14.0               |                       | 14.0               | 200                   |
| 14.52              |                       | 14.52              |                       | 14.52              |                       | 14.52              |                       | 14.52              | 200                   |

| Pick & Carry duties |                       |                    |                       |                    |                       |
|---------------------|-----------------------|--------------------|-----------------------|--------------------|-----------------------|
| 4.63m boom          |                       | 7.38m boom         |                       | 10.13m boom        |                       |
| Working radius (m)  | Total rated load (kg) | Working radius (m) | Total rated load (kg) | Working radius (m) | Total rated load (kg) |
| 2.00                | 2000                  | 2.00               | 2000                  | 2.00               | 1400                  |
| 2.50                | 2000                  | 2.50               | 2000                  | 2.50               | 1400                  |
| 3.00                | 1670                  | 3.00               | 1700                  | 3.00               | 1360                  |
| 3.50                | 1330                  | 3.50               | 1380                  | 3.50               | 1170                  |
|                     |                       | 4.00               | 1140                  | 4.00               | 1020                  |
|                     |                       | 4.50               | 960                   | 4.50               | 890                   |
|                     |                       | 5.00               | 810                   | 5.00               | 770                   |
|                     |                       | 5.50               | 690                   | 5.50               | 680                   |
|                     |                       | 6.00               | 590                   | 6.00               | 590                   |
|                     |                       | 6.27               | 540                   | 6.27               | 550                   |
|                     |                       |                    |                       | 6.50               | 510                   |
|                     |                       |                    |                       | 7.00               | 440                   |
|                     |                       |                    |                       | 7.50               | 380                   |
|                     |                       |                    |                       | 8.00               | 320                   |
|                     |                       |                    |                       | 8.50               | 270                   |
|                     |                       |                    |                       | 9.00               | 230                   |
|                     |                       |                    |                       | 9.02               | 230                   |

Pick & Carry duties are available at boom lengths up to 10.13 metres.

**NEED ADVICE?**

We have experienced staff who can help you. We can visit your site to discuss your needs.

**+44 (0) 1902 405553**



### Maeda LC785







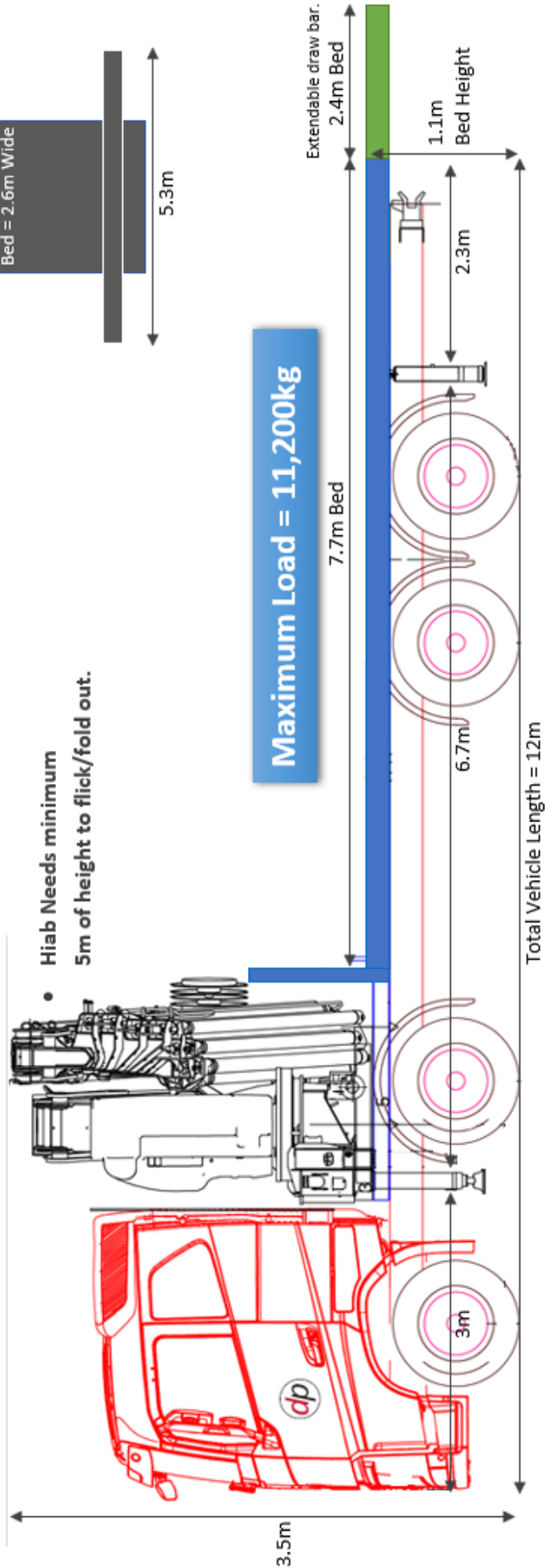
SCAN ME

**LORRY LOADER CRANE – (PM 57526 SP)**



**PM 57.5 SP**

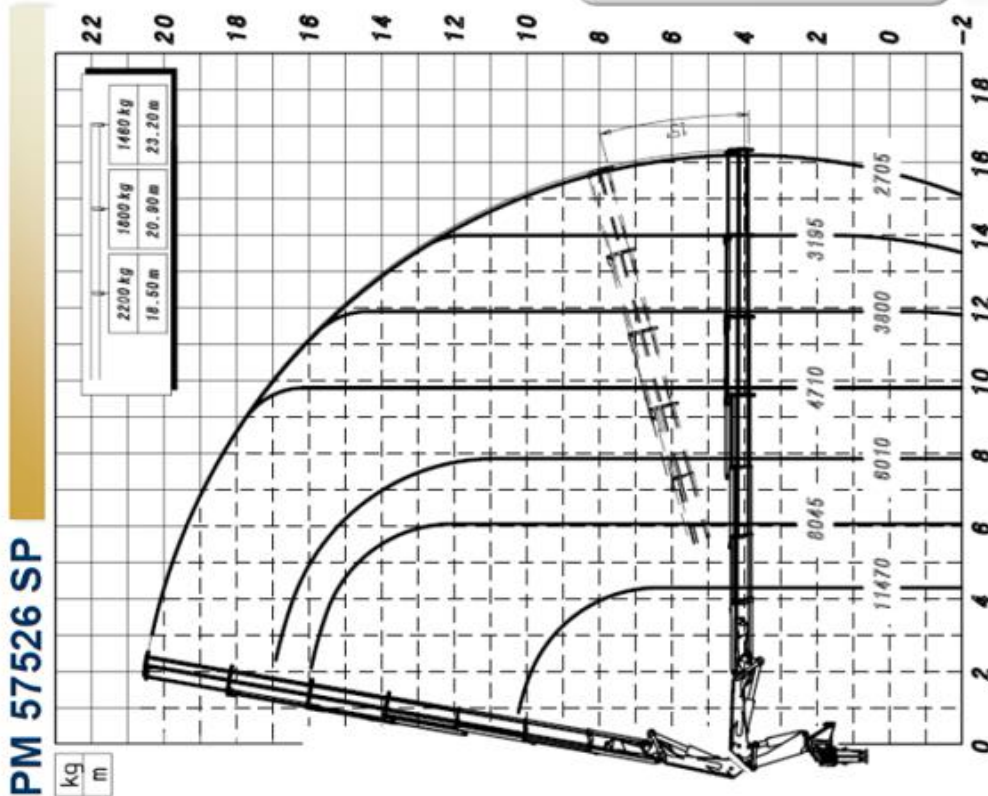
**NEED ADVICE?**  
We have experienced staff who can help you. We can visit your site to discuss your needs.  
**+44 (0) 1902 405553**





SCAN ME

**LORRY LOADER CRANE – (PM 57526 SP)**







SCAN ME

## LOW LOADER TRANSPORT



### NEED ADVICE?

We have experienced staff who can help you. We can visit your site to discuss your needs.

**+44 (0) 1902 405553**

+44 (0) 1902 405553





SCAN ME

## TRACKED CARRIER- (R PRO 2200)



The 2200 series from Dewsbury & Proud offers an unrivalled method of transporting heavy goods through confined spaces or over soft terrain. Only 950mm wide, it uses state-of-the-art technology whilst being simple to operate, reliable and easy to maintain. PRO model offers increased features such as gradient monitoring, information feedback and a smart auxiliary output, ideal when increased safety measures are required or powered attachments make the job easier.



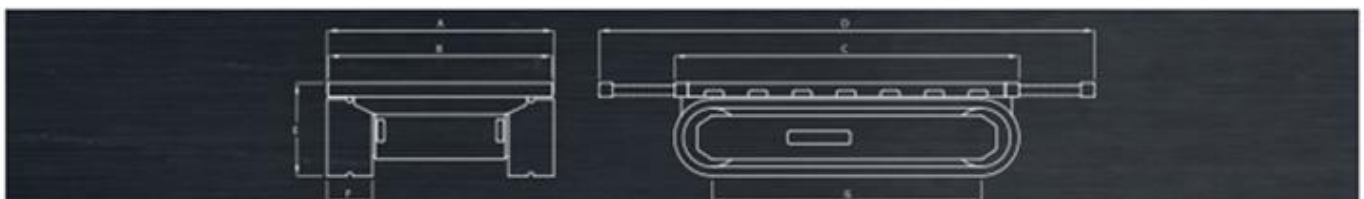
| FEATURES                                 | PRO MODEL |
|--|-----------|
| Efficient direct AC electric drive       | ●         |
| Fully proportional remote control        | ●         |
| Maintenance free AGM batteries           | ●         |
| Hazard lights front and rear             | ●         |
| Switchable motion alarm                  | ●         |
| On board diagnostics                     | ●         |
| Adaptable and extendable platform        | ●         |
| LCD information screen on remote control | ●         |
| Smart auxiliary output socket            | ●         |
| Automatic gradient/speed monitoring      | ●         |
| Non-marking tracks                       | ○         |
| Extra-capacity battery pack              | ○         |
| Wide range of attachments                | ○         |

○ = Optional ● = As Standard

| DIMENSIONS | Width overall (A)          | 950mm  |
|------------|----------------------------|--------|
|            | Width of bed (B)           | 940mm  |
|            | Length of bed/overall (C)  | 1260mm |
|            | Length extended (D)        | 1910mm |
|            | Height (E)                 | 365mm  |
|            | Track width (F)            | 180mm  |
|            | Track length on ground (G) | 1100mm |
|            | Ground clearance (centre)  | 80mm   |

| CAPACITIES     | Max capacity on level ground | 2200kg |
|----------------|------------------------------|--------|
|                | Max capacity at max gradient | 550kg  |
|                | Max gradient                 | 45°    |
|                | Max side slope               | 30°    |
|                | Max speed                    | 3km/h  |
| Unladen weight | 500kg                        |        |

| POWER | Power (max)      | 3.4kW     |
|-------|------------------|-----------|
|       | Voltage          | 24V       |
|       | Battery capacity | 200Ah     |
|       | Charger input    | 110V-230V |







SCAN ME

## CRANE ACCESSORIES

### dp STEEL OUTRIGGER MATS –

- 1.5m x 1.6m
- 1.6m x 1.8m
- 1.5m x 2.5m



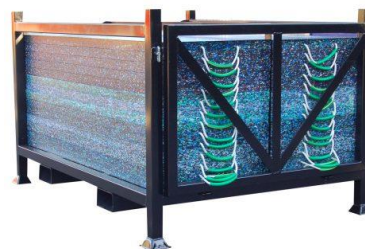
#### NEED ADVICE?

We have experienced staff who can help you. We can visit your site to discuss your needs.

**+44 (0) 1902 405553**

### dp POLY PENC OUTRIGGER MATS –

- 1.2m x 1.2m
- 1.5m x 1.5m
- 1.8m x 1.8m
- 2.5m x 1.4m
- 3.4m x 1.9m





SCAN ME

**CRANE ACCESSORIES**

**dp VACUUM LIFTERS - ( 320 kg CAPACITY )**



**BLOCK GRABS – ( 1,800 kg CAPACITY ) dp**



**dp BRICK FORKS – ( 2,000 kg CAPACITY )**

**NEED ADVICE?**  
 We have experienced staff who can help you. We can visit your site to discuss your needs.  
 +44 (0) 1902 405553



**MAN BASKETS – dp**

**2 MAN CAPACITY – ( 240 Kg W.L.L)**

**1 MAN CAPACITY – ( 120 Kg W.L.L)**

**BOSUNS CHAIRS – ( 120 Kg W.L.L)**

**dp SPREADER BEAMS**  
**LIFTING BEAMS**





SCAN ME

**NOTES PAGE:**

**NEED ADVICE?**

We have experienced staff who can help you. We can visit your site to discuss your needs.

**+44 (0) 1902 405553**





---

Contract Lifting & Crane Hire Specialists

---

**Lifting the Standards**